

AUTOMOTIVE WINCH

COMEUP winches are equipped with a heavy duty motor that delivering superior torque output and faster line speed for severe duty, self-recovery or utility duty Automotive applications. The Automotive winches come with the U.S., Germany, U.K., France, etc patented automatic CBS (Cone Brake Structure) that completely holds in full load and is easily maintained. Explore and experience the quality of COMEUP automotive winches that are the best solution for 4x4 Trucks and SUVs. They give you power whenever and wherever you need it!



- ▶ Limited Lifetime Warranty for Mechanical Components.
- ▶ Limited One (1) Year Warranty for Electrical Components.



Seal Gen2 Series

9,500 - 12,500 - 16,500 lb pulling capacity



• Meet international standards of CE Machinery Directive 2006/42/CE, CE Electromagnetic Compatibility Directive 2004/108/EC, and SAE J706 Surface Vehicle standard 2003-08 rev.

1 Submersible Sealed Contactor

The heavy-duty sealed contactor with silver-alloy contact pads, thick copper buss bars and submersible construction ensures weather resistance. It handles high amps and allows higher duty cycle. The industrial grade contactor is durable, reliable, and high performance.

2 Safety Warning Notice

The built-in waterproof receiver in the control box is equipped with a beeping buzzer to indicate motor overheating. (Only for Seal Gen2 9.5rs/ 9.5rs/12.5rs/16.5rs)

3 Matte black powder-coated finish

Matte black powder-coated finish on the surfaces allow a deep color expression while also hides the inherent flaws

4 Extreme-duty Seals

Extreme-duty water resistance seals on the motor and gearbox housing joints.

5 All Sealed High Performance Motor

Heavy duty series wound motor delivers superior torque output and faster line speed. A built-in thermal detector automatically sends a warning signal to the "Remote Control" when motor is over-heated.

6 Hardened Steel 3-stage Planetary Gear Train

Rugged and quiet planetary gears for maximum mechanical efficiency

7 Automatic, Full Load Cone Brake Structure (CBS)

The U.S., Germany, U.K., France, etc patented brake system automatically endures full load without slipping. With CBS, the greater the load on the rope, the greater amount of braking is generated by the mechanism. Furthermore, the braking mechanism mounted outside the drum rather than inside the drum expedites heat dispersion and also makes this winch ideal for use with synthetic rope.

8 Rapid Rope Payout & Clutch Reposition

An ergonomic T-handle positively engages the free spool clutch through multiple evenly spaced locking holes. The entire clutch can be rotated to reposition the "T" handle in multiple locations, to ease accessibility in various winch mounting positions.

9 Protective Thermal Sensor

The industrial grade waterproof remote control comes with a thermometric LED indicator on the hand-held switch that automatically alerts when receiving a warning signal from the motor over-heated.

10 Ergonomic Tie Bar

Ergonomic matte black powder-coated aluminum alloy die cast tie bar for better corrosion and erosion resistance.

11 Rope Options

Available with either wire rope or lightweight, high strength and no water absorption synthetic rope. Both ropes are equipped with a hook.

1 Wiring harness with built-in antenna designed for quick installation and easy wireless operation.

2 IP66 waterproof transmitter and receiver ensure all weather protection.

3 2.4 GHz high frequency device features never in-band interference within 27m (90') radius.

4 Colour LED indicates different winching conditions.



Seal Gen2 Series Winch

- ▶ Limited Lifetime Warranty for Mechanical Components.
- ▶ Limited Three (3) years Warranty for Electrical Components.

16,500 LB Electric Winch



Note: Roller/Hawse fairlead does not mount to winch

Seal Gen2 16.5 **PN 295615** (12V) / **PN 295628** (24V)
(with wire rope, roller fairlead, remote control)

Seal Gen2 16.5s **PN 295635** (12V) / **PN 295646** (24V)
(with synthetic rope, hawse fairlead, remote control)
Seal Gen2 16.5rs **PN 295655** (12V) / **PN 295667** (24V)
(with wireless remote control, synthetic rope, hawse fairlead, remote control)

SPECIFICATIONS :

- Rated line pull : 7,484 kg (16,500 lb) single line
- Motor : 4,325 w / 5.8 hp 12V series wound w/thermal protection switch
4,474 w / 6.0 hp 24V series wound w/thermal protection switch
- Gear train & ratio : 3-stage planetary, 343:1
- Clutch (freespooling) : Rotating ring gear
- Brake (outside the drum) : Automatic, full load CBS (Cone Brake Structure)
- Winch construction : Aluminum die cast housings with steel drum
- Drum size : 89 mm x 204 mm (3.5" x 8")
- Control :
Seal Gen2 16.5/16.5s : Waterproof remote with thermometric indicator LED w/5 m (17') cord
Seal Gen2 16.5rs : Both built-in digital signal two ways wireless remote control and waterproof remote with thermometric indicator LED w/5 m (17') cord
- Rope :
Seal Gen2 16.5 : 6 x 29 – IWRC, 11.1 mm x 27.4 m (7/16" x 90')
Seal Gen2 16.5s/16.5rs : Synthetic rope, 12.7 mm x 25 m (1/2" x 82')
- Recommended battery : 650 CCA minimum for winching
- Battery lead : 1.8 m (6') 2 gauge battery lead
- Mounting bolts pattern : 254 mm x 114.3 mm (10" x 4.5")
254 mm x 165 mm (10" x 6.5")
- Mounting : Foot forward mounting only
- Winch weight (including rope) :
Seal Gen2 16.5 : 61 kg / 135 lb
Seal Gen2 16.5s/16.5rs : 48 kg / 106 lb
- Gross weight :
Seal Gen2 16.5 : 76.7 kg / 169 lb
Seal Gen2 16.5s/16.5rs : 60.8 kg / 134 lb
- Box dimension, (L x D x H) : 690 x 270 x 405 mm (27.2" x 10.6" x 15.9")

PERFORMANCE DATA :

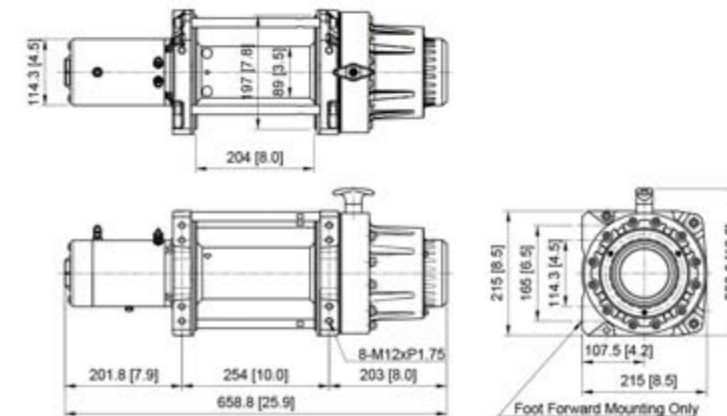
Line Pull and Rope Capacity

Layer of Rope	Pull by Layer, kg / lb	Total Rope on the Drum, m / ft	
		Seal Gen2 16.5	Seal Gen2 16.5s/16.5rs
1 st	7,484 / 16,500	5.6 / 18.4	5.2 / 17.1
2 nd	6,125 / 13,503	12.4 / 40.7	11.6 / 38.1
3 rd	5,184 / 11,429	20.4 / 66.9	19.2 / 63.0
4 th	4,494 / 9,908	27.4 / 90.0	25.0 / 82.0

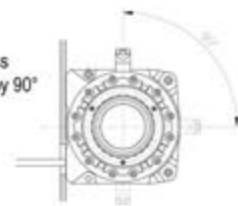
Line Speed and Amp. Draw (1st layer of rope on the drum)

Line Pull kg / lb	Line Speed, mpm / fpm				Amp. Draw, A	
	Seal Gen2 16.5 12V	Seal Gen2 16.5 24V	Seal Gen2 16.5s/16.5rs 12V	Seal Gen2 16.5s/16.5rs 24V	12V	24V
No Load	5.5 / 18	7.5 / 24.7	5.6 / 18.4	7.6 / 24.9	50	25
1,814 / 4,000	2.9 / 9.5	3.1 / 10.2	3.0 / 9.8	3.1 / 10.3	90	90
3,629 / 8,000	2.4 / 7.9	1.9 / 6.3	2.5 / 8.2	1.9 / 6.4	180	150
4,536 / 10,000	1.8 / 5.9	1.6 / 5.1	1.9 / 6.2	1.6 / 5.2	230	200
7,484 / 16,500	1.4 / 4.6	1.4 / 4.6	1.4 / 4.6	1.4 / 4.6	355	245

DIMENSION mm/in :



4 equally positioned pin holes ensure seamless clutch transmission and make it easily rotate by 90° increments. (Seal Gen2 16.5/16.5s/16.5rs)



12,500 LB Electric Winch



Note: Roller/Hawse fairlead does not mount to winch

Seal Gen2 12.5 **PN 295730** (12V)
(with wire rope, roller fairlead, remote control)

Seal Gen2 12.5s **PN 295750** (12V)
(with synthetic rope, hawse fairlead, remote control)
Seal Gen2 12.5rs **PN 295780** (12V)
(with wireless remote control, synthetic rope, hawse fairlead, remote control)

SPECIFICATIONS :

- Rated line pull :** 5,670 kg (12,500 lb) single line
- Motor :** 3,730 w / 5.0 hp 12V series wound w/thermal protection switch
- Gear train & ratio :** 3-stage planetary 225:1
- Clutch (freespooling) :** Rotating ring gear
- Brake (outside the drum) :** Automatic, full load CBS (Cone Brake Structure)
- Winch construction :** Aluminum die cast housings with steel drum
- Drum size :** 63.5 x 227 mm (2.5" x 8.9")
- Control :**
Seal Gen2 12.5 / 12.5s : Waterproof remote with thermometric indicator LED w/5 m (17') cord
Seal Gen2 12.5rs : Both built-in digital signal two ways wireless remote control and waterproof remote with thermometric indicator LED w/5 m (17') cord
- Rope :**
Seal Gen2 12.5 : Galvanized aircraft A7 x 19, 9.5 mm x 25 m (3/8" x 82')
Seal Gen2 12.5s / 12.5rs : Synthetic rope, 11 mm x 25 m (7/16" x 82')
- Battery lead :** 1.8 m (6') 2 gauge battery lead
- Mounting bolts pattern :** 254 x 114 mm (10.0" x 4.5")
- Mounting :** Foot forward mounting only
- Winch weight (including rope) :**
Seal Gen2 12.5 : 37.7 kg / 83.1 lb
Seal Gen2 12.5s / 12.5rs : 29.8 kg / 65.7 lb
- Gross weight :**
Seal Gen2 12.5 : 53 kg / 117 lb
Seal Gen2 12.5s / 12.5rs : 40.8 kg / 90 lb
- Box dimension :** 682 x 209 x 430 mm (26.9" x 8.2" x 16.9")
- Remark :** * Only foot forward mounting can meet SAE J706

PERFORMANCE DATA :

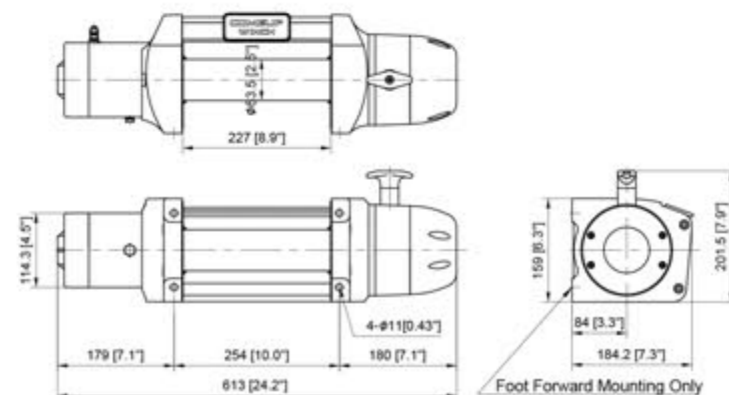
Line Pull and Rope Capacity

Layer of Rope	Pull by Layer, kg / lb	Total Rope on the Drum, m / ft	
		Seal Gen2 12.5	Seal Gen2 12.5s/12.5rs
1 st	5,670 / 12,500	5.4 / 17.7	4.8 / 15.7
2 nd	4,499 / 9,919	12.1 / 39.7	10.9 / 35.7
3 rd	3,729 / 8,221	20.3 / 66.6	18.5 / 60.7
4 th	3,184 / 7,020	25.0 / 82.0	25.0 / 82.0

Line Speed and Amp. Draw (1st layer of rope on the drum)

Line Pull kg / lb	Line Speed, mpm / fpm		Amp. Draw, A 12V
	Seal Gen2 12.5	Seal Gen2 12.5s/12.5rs	
No Load	7.5 / 24.6	7.7 / 25.3	45
907 / 2,000	3.4 / 11.2	3.4 / 11.2	75
1,814 / 4,000	2.5 / 8.2	2.5 / 8.2	160
2,722 / 6,000	2.0 / 6.6	2.0 / 6.6	230
3,629 / 8,000	1.6 / 5.2	1.7 / 5.6	300
5,670 / 12,500	0.9 / 3.0	0.9 / 3.0	470

DIMENSION mm/in :



9,500 LB Electric Winch



Note: Roller/Hawse fairlead does not mount to winch

Seal Gen2 9.5 **PN 295950** (12V)
(with wire rope, roller fairlead, remote control)

Seal Gen2 9.5s **PN 295990** (12V)
(with synthetic rope, hawse fairlead, remote control)
Seal Gen2 9.5rs **PN 295850** (12V)
(with wireless remote control, synthetic rope, hawse fairlead, remote control)

SPECIFICATIONS :

- Rated line pull :** 4,309 kg (9,500 lb) single line
- Motor :** 3,730 w / 5.0 hp 12V series wound w/thermal protection switch
- Gear train & ratio :** 3-stage planetary 159:1
- Clutch (freespooling) :** Rotating ring gear
- Brake (outside the drum) :** Automatic, full load CBS (Cone Brake Structure)
- Winch construction :** Aluminum die cast housings with steel drum
- Drum size :** 63.5 x 227 mm (2.5" x 8.9")
- Control :**
Seal Gen2 9.5/9.5s : Waterproof remote with thermometric indicator LED w/5 m (17') cord
Seal Gen2 9.5rs : Both built-in digital signal two ways wireless remote control and waterproof remote with thermometric indicator LED w/5 m (17') cord
- Rope :**
Seal Gen2 9.5 : Galvanized aircraft A7 x 19, 8.7 mm x 30.5 m (11/32" x 100')
Seal Gen2 9.5s / 9.5rs : Synthetic rope, 10 mm x 30 m (3/8" x 100')
- Recommended battery :** 650 CCA minimum for winching
- Battery lead :** 1.8 m (6') 2 gauge battery lead
- Mounting bolts pattern :** 254 x 114 mm (10" x 4.5")
- Winch weight (including rope) :**
Seal Gen2 9.5 : 36.2 kg / 79.8 lb
Seal Gen2 9.5s / 9.5rs : 28.5 kg / 62.8 lb
- Gross weight :**
Seal Gen2 9.5 : 51.3 kg / 113 lb
Seal Gen2 9.5s/9.5rs : 40 kg / 88 lb
- Box dimension :** 682 x 209 x 430 mm (26.9" x 8.2" x 16.9")

PERFORMANCE DATA :

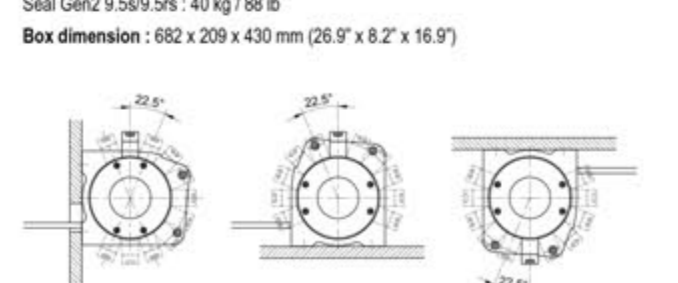
Line Pull and Rope Capacity

Layer of Rope	Pull by Layer, kg / lb	Total Rope on the Drum, m / ft	
		Seal Gen2 9.5	Seal Gen2 9.5s/9.5rs
1 st	4,309 / 9,500	5.8 / 19.1	5.1 / 16.7
2 nd	3,472 / 7,655	13.1 / 42.9	11.7 / 38.4
3 rd	2,908 / 6,410	21.7 / 71.2	19.7 / 64.6
4 th	2,501 / 5,514	30.5 / 100	30.5 / 100

Line Speed and Amp. Draw (1st layer of rope on the drum)

Line Pull kg / lb	Line Speed, mpm / fpm		Amp. Draw, A 12V
	Seal Gen2 9.5	Seal Gen2 9.5s/9.5rs	
No Load	14.5 / 47.6	14.8 / 48.6	60
907 / 2,000	4.7 / 15.2	4.8 / 15.7	115
1,814 / 4,000	3.5 / 11.5	3.6 / 11.8	210
2,722 / 6,000	2.8 / 9.2	2.8 / 9.2	245
3,629 / 8,000	2.3 / 7.6	2.3 / 7.6	280
4,309 / 9,500	2.1 / 6.8	2.2 / 7.2	380

DIMENSION mm/in :



16 equally positioned pin holes ensure seamless clutch transmission and make it easily rotate by 22.5° Increments. Seal Gen2 9.5/9.5s/9.5rs

▶ New functions of the bridge control box

Intelligence Dashboard (IDB) - Included On Seal Gen2 9.5i /9.5si/9.5rsi Models



Vehicle Battery Life

The Intelligence Dashboard (IDB) displays the battery condition of your vehicle.



Wireless Remote Control Icon - Seal Gen2 9.5rsi Only



Wireless Signal Icon
The Intelligence Dashboard (IDB) includes a blue wireless signal icon that is continuously illuminated to confirm the wireless remote is paired with the winch.



Wireless Signal Strength
The solid green LED on the wireless transmitter indicates good signal strength, but a flashing red LED indicates a weak signal.

Cable IN/OUT Direction Indicators

The green triangle icons on the Intelligence Dashboard (IDB) will light sequentially to indicate the rope winding direction. The green triangles will turn to red triangles if the motor is over-heating.

Thermal Protection



Temperature Warning
The flashing red temperature icon on the Intelligence Dashboard (IDB) indicates the motor is over-heating.



Handheld Remote Warning
The two green LED indicators on the wired remote control will change to red if the motor is over-heating.



Buzzer Warning
The Seal Gen2 9.5rsi/9.5rsi/12.5rsi/16.5rsi models include an audible buzzer alarm that alerts if the motor is over-heating.

Cutout Switch

- The Seal Gen2 9.5i/9.5si models include a cutout switch to activate or deactivate the winch.
- The cutout switch on the Seal Gen2 9.5rsi model also deactivate the wireless receiver to prevent parasitic draw.



9,500 LB Electric Winch



Note : Roller/Hawse fairlead does not mount to winch

Seal Gen2 9.5i **PN 295980** (12V)
(with wire rope, roller fairlead, remote control)

Seal Gen2 9.5si **PN 295880** (12V)
(with synthetic rope, hawse fairlead, remote control)

Seal Gen2 9.5rsi **PN 295860** (12V)
(with wireless remote control, synthetic rope, hawse fairlead, remote control)

SPECIFICATIONS :

Rated line pull : 4,309 kg (9,500 lb) single line

Motor : 3,730 w / 5.0 hp 12V series wound w/thermal protection switch

Gear train & ratio : 3-stage planetary 159:1

Clutch (freespooling) : Rotating ring gear

Brake (outside the drum) : Automatic, full load CBS (Cone Brake Structure)

Winch construction : Aluminum die cast housings with steel drum

Drum size : 63.5 x 227 mm (2.5" x 8.9")

Control :

Seal Gen2 9.5i/9.5si : Waterproof remote with thermometric indicator LED w/5 m (17') cord

Seal Gen2 9.5rsi : Both built-in digital signal two ways wireless remote control and waterproof remote with thermometric indicator LED w/5 m (17') cord

Rope :

Seal Gen2 9.5i : Galvanized aircraft A7 x 19, 8.7 mm x 30.5 m (11/32" x 100')

Seal Gen2 9.5si / 9.5rsi : Synthetic rope, 10 mm x 30.5 m (3/8" x 100')

Recommended battery : 650 CCA minimum for winching

Battery lead : 1.8 m (6') 2 gauge battery lead

Mounting bolts pattern : 254 x 114 mm (10" x 4.5")

Winch weight (including rope) :

Seal Gen2 9.5i : 38.5 kg / 85 lb

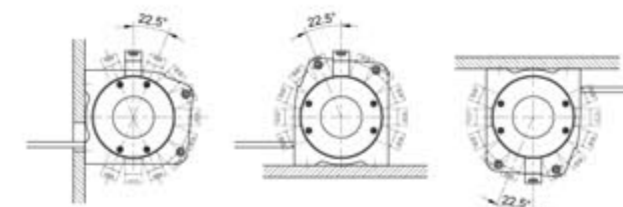
Seal Gen2 9.5si/9.5rsi : 34.5 kg / 76 lb

Gross weight :

Seal Gen2 9.5i : 52.5 kg / 116 lb

Seal Gen2 9.5si/9.5rsi : 40.8 kg / 90 lb

Box dimension : 682 x 209 x 430 mm (26.9" x 8.2" x 16.9")



▶ 16 equally positioned pin holes ensure seamless clutch transmission and make it easily rotate by 22.5° increments. (Seal Gen2 9.5i/9.5si/9.5rsi)

PERFORMANCE DATA :

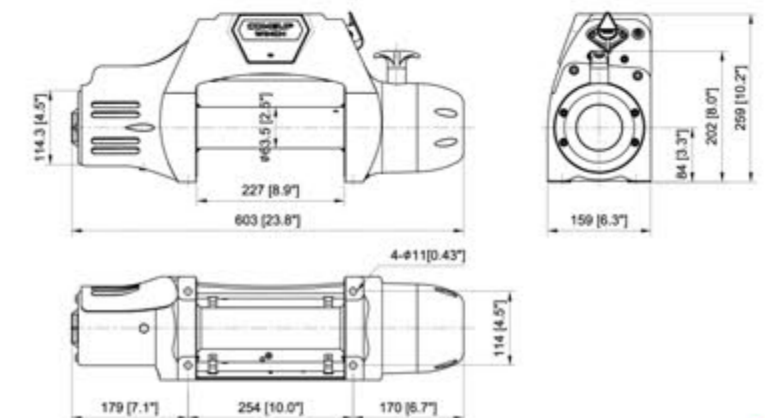
Line Pull and Rope Capacity

Layer of Rope	Pull by Layer, kg / lb	Total Rope on the Drum, m / ft	
		Seal Gen2 9.5i	Seal Gen2 9.5si/9.5rsi
1 st	4,309 / 9,500	5.8 / 19.1	5.1 / 16.7
2 nd	3,472 / 7,655	13.1 / 42.9	11.7 / 38.4
3 rd	2,908 / 6,410	21.7 / 71.2	19.7 / 64.6
4 th	2,501 / 5,514	30.5 / 100	30.5 / 100

Line Speed and Amp. Draw (1st layer of rope on the drum)

Line Pull kg / lb	Line Speed, mpm / fpm		Amp. Draw, A 12V
	Seal Gen2 9.5i	Seal Gen2 9.5si/9.5rsi	
No Load	14.5 / 47.6	14.8 / 48.6	60
907 / 2,000	4.7 / 15.2	4.8 / 15.7	115
1,814 / 4,000	3.5 / 11.5	3.6 / 11.8	210
2,722 / 6,000	2.8 / 9.2	2.8 / 9.2	245
3,629 / 8,000	2.3 / 7.6	2.3 / 7.6	280
4,309 / 9,500	2.1 / 6.8	2.2 / 7.2	380

DIMENSION mm/in :



DV Series

6,000 - 9,000 - 12,000 - 15,000 - 18,000 lb pulling capacity

- ▶ Limited Lifetime Warranty for Mechanical Components.
- ▶ Limited One (1) Year Warranty for Electrical Components.



1 Submersible Sealed Contactor

The heavy-duty sealed contactor with silver-alloy contact pads, thick copper buss bars and submersible construction ensures weather resistant. It handles high amps and allows higher duty cycle. The industrial grade contactor is durable, reliable, and high performance.

2 Extreme Durable Motor

Heavy duty series wound motor delivers superior torque output and faster line speed.

3 Aluminum Alloy Housings

Tough aluminum alloy die cast housings withstand strength of 2 times winch line pull at least.

4 Hardened Steel 3-stage Planetary Gear Train

Rugged and quiet planetary gears for maximum mechanical.

5 Rapid Rope Payout & Clutch Reposition

An ergonomic T-handle positively engages the free spool clutch through multiple evenly spaced locking holes. The entire clutch can be rotated to reposition the "T" handle in multiple locations, to ease accessibility in various winch mounting positions.

6 Automatic, Full Load Cone Brake Structure (CBS)

The U.S. Germany, U.K. France, etc patented brake system automatically endures full load without slipping. With CBS, the greater the load on the rope, the greater amount of braking is generated by the mechanism. Furthermore, the braking mechanism mounted outside the drum rather than inside the drum expedites heat dispersion and also makes this winch ideal for use with synthetic rope.

7 Protective Thermal Sensor LED

The industrial grade waterproof remote control comes with a thermometric LED indicator on the hand-held switch that automatically alerts when receiving a warning signal from the motor over-heated.

• Meet international standards of CE Machinery Directive 2006/42/CE, CE Electromagnetic Compatibility Directive 2004/108/EC, and SAE J706 Surface Vehicle standard 2003-08 rev.

18,000 LB Electric Winch



Note : Roller fairlead does not mount to winch

DV-18 **PN 851823** (12V) / **PN 851838** (24V)
(with wire rope, roller fairlead, remote control)

SPECIFICATIONS :

Rated line pull : 8,181 kg (18,000 lb) single line

Motor : 5,220 w / 7.0 hp 12V series wound w/thermal protection switch
4,474 w / 6.0 hp 24V series wound w/thermal protection switch

Gear train & ratio : 3-stage planetary 315:1

Clutch (freespooling) : Rotating ring gear

Brake (outside the drum) : Automatic, full load CBS (Cone Brake Structure)

Winch construction : Aluminum die cast housings with steel drum

Drum size : 89 x 192 mm (3.5" x 7.6")

Control : Waterproof remote with thermometric indicator LED w/5 m (17') cord

Rope : 6 x 29 -IWRC, 12.7 mm x 25 m (1/2" x 82')

Recommended battery : 650 CCA minimum for winching

Battery lead : 1.8 m (6') 2 gauge battery lead

Mounting bolts pattern : 254 x 114 mm (10" x 4.5")
254 x 165 mm (10" x 6.5")

Mounting : Foot forward mounting only

Winch weight (including rope) : 59 kg / 130 lb

Gross weight : 71 kg / 156.5 lb

Box dimension : 694.2 x 265.2 x 418.4 mm (27.3" x 10.4" x 16.5")



PERFORMANCE DATA :

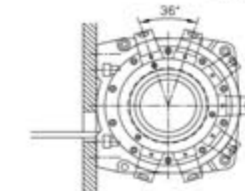
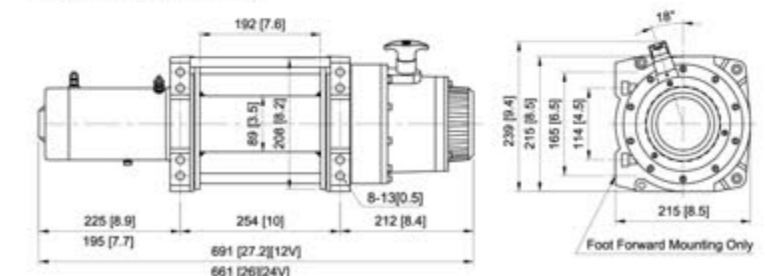
Line Pull and Rope Capacity

Layer of Rope	Pull by Layer, kg / lb	Total Rope on the Drum, m / ft
1 st	8,181 / 18,000	4.7 / 15.4
2 nd	6,546 / 14,431	10.5 / 34.4
3 rd	5,456 / 12,028	17.5 / 57.4
4 th	4,677 / 10,311	25.0 / 82.0

Line Speed and Amp. Draw (1st layer of rope on the drum)

Line Pull kg / lb	Line Speed mpm / fpm	Amp. Draw, A	
		12V	24V
No Load	8.6 / 28.2	35	40
1,814 / 4,000	4.0 / 13.1	115	70
3,630 / 8,000	3.6 / 12.0	200	140
4,535 / 10,000	3.2 / 10.6	230	180
5,443 / 12,000	2.8 / 9.3	260	210
6,804 / 15,000	2.3 / 7.5	320	240
8,181 / 18,000	1.0 / 3.3	350	290

DIMENSION mm/in :



▶ 10 equally positioned pin holes ensure seamless clutch transmission and make it easily rotate by 36° increments.

15,000 - 12,000 LB Electric Winch



Note : Roller fairlead does not mount to winch

DV-15 **PN 857326** (12V) / **PN 857433** (24V)
(with wire rope, roller fairlead, remote control)

SPECIFICATIONS :

Rated line pull :

DV-15 : 6,804 kg (15,000 lb) single line

DV-12 : 5,443 kg (12,000 lb) single line

Motor : 4,180 w / 5.6 hp 12V series wound w/thermal protection switch
2,690 w / 3.6 hp 24V series wound w/thermal protection switch

Gear train & ratio : DV-15 : 3-stage planetary, 315:1
DV-12 : 3-stage planetary, 261:1

Clutch (freespooling) : Rotating ring gear

Brake (outside the drum) : Automatic, full load CBS (Cone Brake Structure)

Winch construction : Aluminum die cast housings with steel drum

Drum size : 89 mm x 206 mm (3.5" x 8.1")

Control : Waterproof remote with thermometric indicator LED w/5 m (17') cord

Rope : DV-15 : 6 x 29 - IWRC, 11.1 mm x 27 m (7/16" x 89')

DV-12 : Galvanized aircraft A7 x 19, 9.5 mm x 38 m (3/8" x 125')

Recommended battery : 650 CCA minimum for winching

Battery lead : 1.8 m (6') gauge battery lead

Mounting bolts pattern :

254 mm x 114 mm (10" x 4.5") ; 254 mm x 165 mm (10" x 6.5")

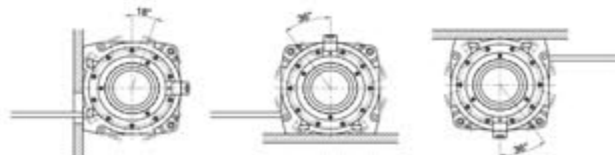
Winch weight (including rope) : DV-15 : 57 kg / 125.4 lb

DV-12 : 55 kg / 121 lb

Gross weight : DV-15 : 69 kg / 152 lb

DV-12 : 67 kg / 147.7 lb

Box dimension, (L x D x H) : 694 x 265.2 x 418.4 mm (27.3" x 10.4" x 16.5")



10 equally positioned pin holes ensure seamless clutch transmission and make it easily rotate by 36° increments. (DV-15/12)

PERFORMANCE DATA :

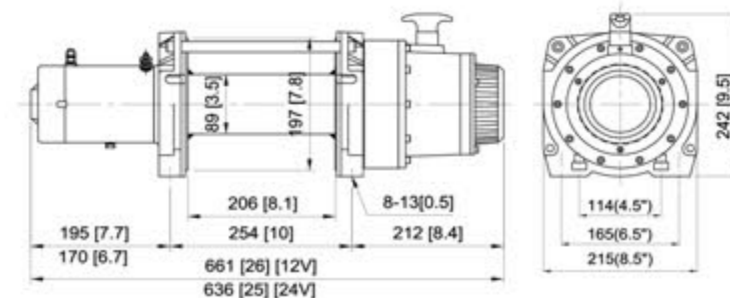
Line Pull and Rope Capacity

Layer of Rope	Pull by Layer, Total Rope on the Drum, m / ft		Pull by Layer, Total Rope on the Drum, m / ft	
	DV-15		DV-12	
1 st	6,804 / 15,000	5.7 / 18.6	5,443 / 12,000	6.6 / 21.5
2 nd	5,569 / 12,277	12.6 / 41.4	4,563 / 10,060	14.4 / 47.2
3 rd	4,713 / 10,391	20.8 / 68.3	3,928 / 8,659	23.5 / 77
4 th	4,086 / 9,007	27 / 89	3,448 / 7,601	33.8 / 110.9
5 th	-	-	3,072 / 6,774	38 / 125

Line Speed and Amp. Draw (1st layer of wire rope on the drum)

Line Pull kg / lb	Line Speed, mpm / fpm		Amp. Draw, A	
	DV-15	DV-12	DV-15	DV-12
No Load	6.9 / 22.0	8.3 / 27	60	50
1,814 / 4,000	1.6 / 5.4	2.6 / 8.6	180	80
3,629 / 8,000	1.2 / 3.8	1.7 / 5.8	280	190
4,536 / 10,000	1.0 / 3.3	1.4 / 4.4	330	220
5,443 / 12,000	0.9 / 2.9	1.2 / 4.0	385	260
6,804 / 15,000	0.8 / 2.5	-	460	340

DIMENSION mm/in : (DV-15/12)



12,000 LB Electric Winch



Note : Roller/Hawse fairlead does not mount to winch

DV-12 light **PN 850012** (12V) / **PN 850124** (24V)
(with wire rope, roller fairlead, remote control)

SPECIFICATIONS :

Rated line pull : 5,443 kg (12,000 lb) single line

Motor : 3,430 w / 4.6 hp 12V series wound w/thermal protection switch
1,940 w / 2.6 hp 24V series wound w/thermal protection switch

Gear train & ratio : 3-stage planetary 211:1

Clutch (freespooling) : Rotating ring gear

Brake (outside the drum) : Automatic, full load CBS (Cone Brake Structure)

Winch construction : Aluminum die cast housings with steel drum

Drum size : 63.5 x 227 mm (2.5" x 8.9")

Control : Waterproof remote with thermometric indicator LED w/5 m (17') cord

Rope : DV-12 light : Galvanized aircraft A7 x 19, 9.5 mm x 25 m (3/8" x 82')

DV-12s light : Synthetic rope, 11 mm x 25 m (7/16" x 82')

Recommended battery : 650 CCA minimum for winching

Battery lead : 1.8 m (6') 2 gauge battery lead

Mounting bolts pattern : 254 x 114 mm (10" x 4.5")

Mounting : Foot forward mounting only

Winch weight (including rope) : DV-12 light : 39 kg / 86 lb
DV-12s light : 30 kg / 66.1 lb

Gross weight : DV-12 light : 49 kg / 108 lb

DV-12s light : 36 kg / 79.4 lb

Box dimension : 650 x 195 x 415 mm (25.6" x 7.7" x 16.3")

Remark : * Only foot forward mounting can meet SAE J706



PERFORMANCE DATA :

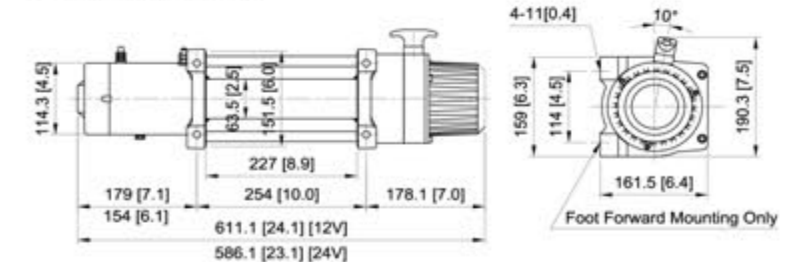
Line Pull and Rope Capacity

Layer of Rope	Pull by Layer, kg / lb	Total Rope on the Drum, m / ft	
		DV-12 light	DV-12s light
1 st	5,443 / 12,000	5.4 / 17.7	4.7 / 15.5
2 nd	4,319 / 9,522	12.2 / 40.0	10.8 / 35.5
3 rd	3,580 / 7,893	20.5 / 67.3	18.3 / 60.1
4 th	3,056 / 6,737	25.0 / 82.0	25.0 / 82.0

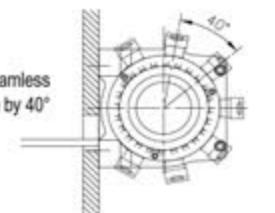
Line Speed and Amp. Draw (1st layer of rope on the drum)

Line Pull kg / lb	Line Speed, mpm / fpm		Amp. Draw, A	
	DV-12 light	DV-12s light	12V	24V
No Load	8.0 / 26.2	8.2 / 26.9	50	30
1,814 / 4,000	3.0 / 9.8	3.1 / 10.2	120	70
3,629 / 8,000	1.5 / 5.0	1.6 / 5.1	230	140
4,536 / 10,000	1.2 / 4.0	1.2 / 4.0	290	180
5,443 / 12,000	1.0 / 3.3	1.0 / 3.3	350	210

DIMENSION mm/in :



9 equally positioned pin holes ensure seamless clutch transmission and make it easily rotate by 40° increments. (DV-12 light/12s light)



9,000 LB Electric Winch

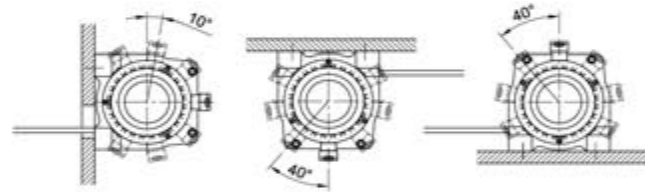


Note : Roller/Hawse fairlead does not mount to winch

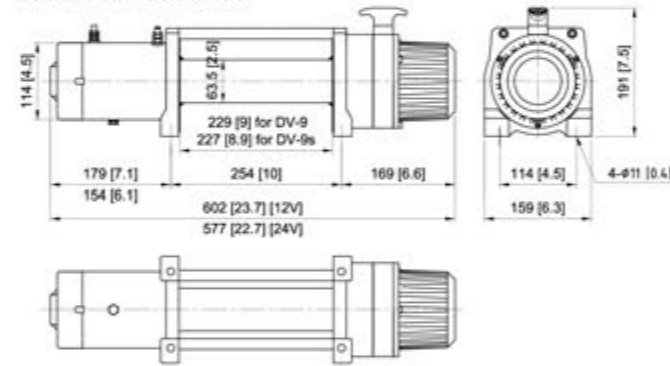
DV-9s **PN 859252** (12V) / **PN 859262** (24V)
(with synthetic rope, hawse fairlead, remote control)

DV-9 **PN 856329** (12V) / **PN 856355** (24V)
(with wire rope, roller fairlead, remote control)

9 equally positioned pin holes ensure seamless clutch transmission and make it easily rotate by 40° increments. (DV-9i/9si/9/9s)



DIMENSION mm/in :



9,000 LB Electric Winch



Note : Roller/Hawse fairlead does not mount to winch

DV-9si **PN 859038** (12V) / **PN 859055** (24V)
(with synthetic rope, hawse fairlead, remote control)

DV-9i **PN 856360** (12V) / **PN 856388** (24V)
(with wire rope, roller fairlead, remote control)

SPECIFICATIONS :

Rated line pull : 4,082 kg (9,000 lb) single line

Motor :

3,430 w / 4.6 hp 12V series wound w/thermal protection switch

1,940 w / 2.6 hp 24V series wound w/thermal protection switch

Gear train & ratio : 3-stage planetary 156:1

Clutch (freespooling) : Rotating ring gear

Brake (outside the drum) : Automatic, full load CBS (Cone Brake Structure)

Winch construction : Aluminum die cast housings with steel drum

Drum size :

DV-9i/9i : 63.5 x 229 mm (2.5" x 9")

DV-9s/9si : 63.5 x 227 mm (2.5" x 8.9")

Control : Waterproof remote with thermometric indicator LED w/5 m (17') cord

Rope :

DV-9i/9i : Galvanized aircraft A7 x 19, 8.3 mm x 30.5 m (21/64" x 100')

DV-9s/9si : Synthetic rope, 10 mm x 30.5 m (3/8" x 100')

Recommended battery : 650 CCA minimum for winching

Battery lead : 1.8 m (6') 2 gauge battery lead

Mounting bolts pattern : 254 x 114 mm (10" x 4.5")

Winch weight (including rope) :

DV-9 : 33 kg / 72.8 lb ; DV-9s : 27 kg / 59.5 lb

DV-9i : 37 kg / 81.6 lb ; DV-9si : 31 kg / 68.3 lb

Gross weight :

DV-9 : 43 kg / 94.8 lb ; DV-9s : 33 kg / 72.8 lb

DV-9i : 44 kg / 97 lb ; DV-9si : 37 kg / 81.6 lb

Box dimension : 650 x 195 x 415 mm (25.6" x 7.7" x 16.3")

PERFORMANCE DATA :

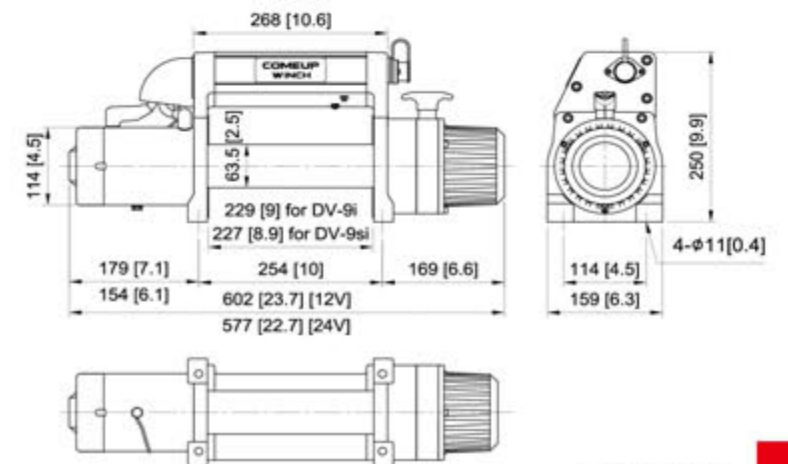
Line Pull and Rope Capacity

Layer of Rope	Pull by Layer, kg / lb	Total Rope on the Drum, m / ft	
		DV-9i/9i	DV-9s/9si
1 st	4,082 / 9,000	6.1 / 20.0	5.5 / 18.1
2 nd	3,316 / 7,310	13.6 / 44.7	12.5 / 41.0
3 rd	2,792 / 6,154	22.6 / 74.0	20.9 / 68.6
4 th	2,410 / 5,314	30.5 / 100	30.5 / 100

Line Speed and Amp. Draw (1st layer of rope on the drum)

Line Pull kg / lb	Line Speed, mpm / fpm		Amp. Draw, A	
	DV-9i/9i	DV-9s/9si	12V	24V
No Load	13 / 42.7	13.2 / 43.3	55	30
907 / 2,000	4.6 / 15.0	4.7 / 15.3	110	65
1,814 / 4,000	3.4 / 11.0	3.4 / 11.2	200	100
2,722 / 6,000	2.7 / 9.0	2.8 / 9.1	230	130
3,629 / 8,000	2.3 / 7.5	2.3 / 7.6	260	170
4,082 / 9,000	2.0 / 6.4	2.0 / 6.5	350	210

DIMENSION mm/in :



6,000 LB Electric Winch



Note : Roller/Hawse fairlead does not mount to winch

DV-6s PN 854752 (12V) Std. drum
(with synthetic rope, hawse fairlead, remote control)

DV-6 PN 854750 (12V) Std drum / PN 854760 (12V) Long drum
(with wire rope, roller fairlead, remote control)

SPECIFICATIONS :

Rated line pull : 2,722 kg (6,000 lb) single line
Motor : 2,390 w / 3.2 hp 12V series wound
Gear train & ratio : 3-stage planetary 216:1
Clutch (freespooling) : Rotating ring gear
Brake (outside the drum) : Automatic, full load CBS (Cone Brake Structure)
Winch construction : Aluminum die cast housings and strong steel drum
Drum size :

DV-6 Std. drum/6s : 63.5 x 125.5 mm (2.5" x 4.9")
 DV-6 Long drum : 63.5 x 227 mm (2.5" x 8.9")

Control : Waterproof remote w/5 m (17') cord

Rope :
 DV-6 Std. drum : Galvanized aircraft A7 x 19, 7.1 mm x 24.4 m (9/32" x 80')
 DV-6 Long drum : Galvanized aircraft A7 x 19, 7.1 mm x 30.5 m (9/32" x 100')
 DV-6s : Synthetic rope, 8 mm x 24.4 m (5/16" x 80')

Recommended battery : 650 CCA minimum for winching

Battery lead : 1.8 m (6') 6 gauge battery lead

Mounting bolts pattern :
 DV-6 Std. drum/6s : 152.4 mm x 114 mm (6" x 4.5")
 DV-6 Long drum : 254 mm x 114 mm (10" x 4.5")

Winch weight (including rope) :
 DV-6 Std. drum : 22.8 kg / 50.3 lb
 DV-6 Long drum : 25.2 kg / 55.6 lb
 DV-6s : 19 kg / 41.9 lb

Gross weight :
 DV-6 Std. drum : 28.4 kg / 62.6 lb
 DV-6 Long drum : 32.8 kg / 72.3 lb
 DV-6s : 21.6 kg / 47.6 lb

Box dimension :
 DV-6 Std. drum/6s : 505 x 210 x 340 mm (19.9" x 8.3" x 13.4")
 DV-6 Long drum : 672 x 210 x 390 mm (26.5" x 8.3" x 15.4")

PERFORMANCE DATA :

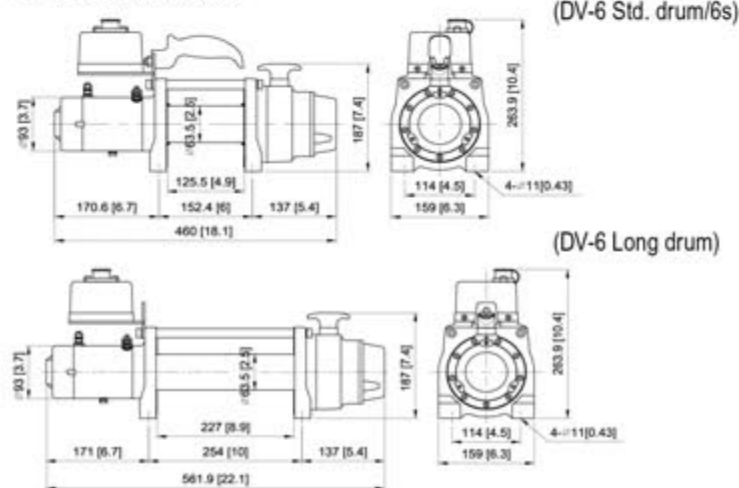
Line Pull and Rope Capacity

Layer of Rope	Pull by Layer, kg / lb	Total Rope on the Drum, m / ft		
		Std. drum DV-6	6s	Long drum DV-6
1 st	2,722 / 6,000	3.8 / 12.5	3.5 / 11.3	7 / 22.9
2 nd	2,266 / 4,995	8.4 / 27.5	7.7 / 25.2	15.4 / 50.4
3 rd	1,941 / 4,279	13.7 / 45	12.6 / 41.5	25.2 / 82.5
4 th	1,697 / 3,742	19.8 / 65.1	18.4 / 60.3	30.5 / 100
5 th	1,508 / 3,325	24.4 / 80	24.4 / 80	-

Line Speed and Amp. Draw (1st layer of wire rope on the drum)

Line Pull kg / lb	Line Speed, mpm / fpm		Amp. Draw, A 12V
	DV-6	DV-6s	
No Load	8.0 / 26.2	8.1 / 26.5	60
907 / 2,000	5.2 / 17	5.3 / 17.3	150
1,814 / 4,000	3.1 / 10.2	3.1 / 10.3	240
2,722 / 6,000	2.0 / 6.5	2.0 / 6.6	300

DIMENSION mm/in :



6,000 LB Portable Winch



Note : Hawse fairlead does not mount to winch

DV-6s carry on PN 854765 (12V)
(with synthetic rope, hawse fairlead, remote control, 2" hitch receiver)

SPECIFICATIONS :

Rated line pull : 2,722 kg (6,000 lb) single line
Motor : 2,390 w / 3.2 hp 12V series wound
Gear train & ratio : 3-stage planetary 216:1
Clutch (freespooling) : Rotating ring gear
Brake (outside the drum) : Automatic, full load CBS (Cone Brake Structure)
Winch construction : Aluminum die cast housings and strong steel drum
Drum size : 63.5 x 125.5 mm (2.5" x 4.9")
Control : Waterproof remote w/5 m (17') cord
Rope : Synthetic rope, 8 mm x 24.4 m (5/16" x 80')
Recommended battery : 650 CCA minimum for winching
Battery lead : 1.8 m (6') 6 gauge battery lead
Mounting bolts pattern : 152.4 mm x 114 mm (6" x 4.5")
Winch weight (including rope) : 22.8 kg / 50.3 lb
Gross weight : 27.4 kg / 60.4 lb
Box dimension : 515 x 285 x 345 mm (20.3" x 11.2" x 13.6")

PERFORMANCE DATA :

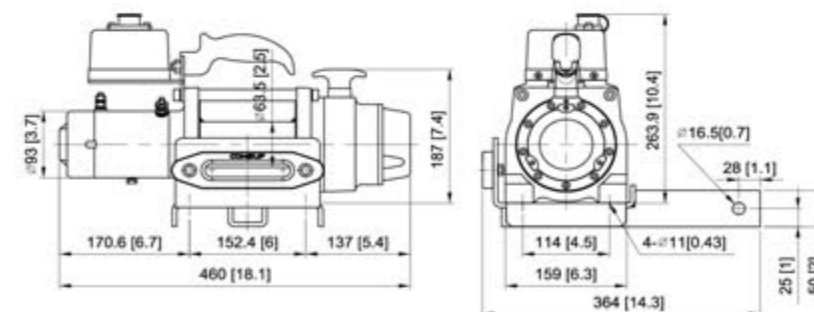
Line Pull and Rope Capacity

Layer of Rope	Pull by Layer, kg / lb	Total Rope on the Drum, m / ft
1 st	2,722 / 6,000	3.5 / 11.3
2 nd	2,266 / 4,995	7.7 / 25.2
3 rd	1,941 / 4,279	12.6 / 41.5
4 th	1,697 / 3,742	18.4 / 60.3
5 th	1,508 / 3,325	24.4 / 80

Line Speed and Amp. Draw (1st layer of rope on the drum)

Line Pull kg / lb	Line Speed mpm / fpm	Amp. Draw, A 12V
No Load	8.1 / 26.5	60
907 / 2,000	5.3 / 17.3	150
1,814 / 4,000	3.1 / 10.3	240
2,722 / 6,000	2.0 / 6.6	300

DIMENSION mm/in :



STANDARD ACCESSORIES:

- Synthetic rope
- Remote control w/5 m (17') cord
- Hawse fairlead
- Mounting hardware
- Control box w/handle
- 2" hitch receiver
- Quick connector wiring kit
- Handsaver strap



BLAZER



- 8 Tough aluminum alloy die cast housing withstands a minimum force twice the rated line pull
- 9 Polished aluminum hawse fairlead designed to guide the synthetic rope out from and onto the winch drum
- 10 Air free-spool control for rapid synthetic rope payout (operation pressure: 60~120 psi/4.1~8.3 bar)
- 11 Laser engraved Blazer badge



- 1 Dual 7.0 hp motors w/thermal protection switch provide ultimate power and 50 mpm speed
- 2 Ratchet brake outside the drum expedites heat dispersion and is ideal for synthetic rope
- 3 Personalized laser engraved driver nameplate
- 4 Rugged 3 stage gear train and upright housing
- 5 Steel cover protects the motors and contactors from damage
- 6 Long drum (63.5 mm x 290 mm) accommodates 46 meters of 11 mm synthetic rope
- 7 Dual sealed contactors w/silver-alloy contact pads and thick copper buss can handle high amps at high duty cycles



8,000 LB Twin Motor Winch with 50mpm line speed



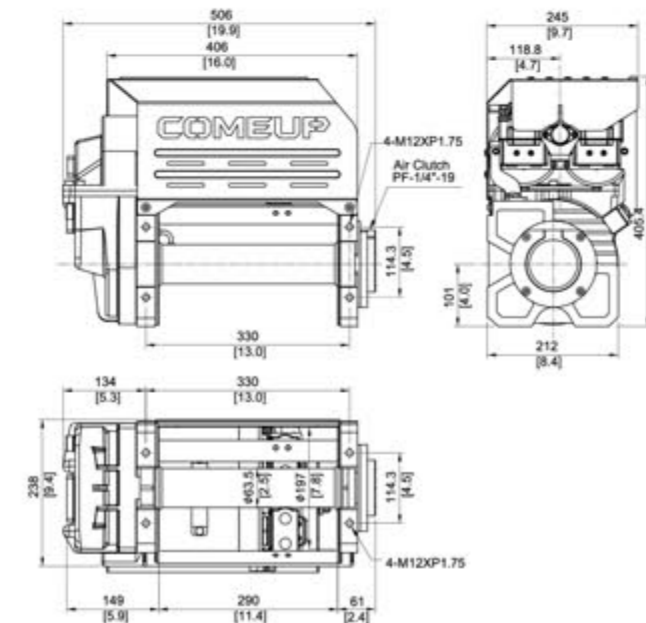
Note : Hawse fairlead does not mount to winch

Blazer PN 855800 (12V)
(with hawse fairlead, remote control)

SPECIFICATIONS :

Rated line pull : 3,630 kg (8,000 lb) single line
 Motor : 5,250 w / 7.0 hp 12V series wound x 2 pcs
 Gear train & ratio : 3-stage spur gear train, 33.5:1
 Clutch (freespooling) : Air free-spooling
 Brake (outside the drum) : Ratchet brake hold full load without slippage
 Winch construction : Aluminum die cast housings with steel drum
 Drum size : 63.5 x 197 x 290 mm (2.5" x 7.8" x 11.4")
 Control : Waterproof remote with thermometric indicator LED w/5 m (17') cord
 Rope recommended : Synthetic rope, 11 mm x 46 m (7/16" x 151')
 Recommended battery : 650 CCA minimum for winching
 Battery lead : 1.8 m (6') 2/0 gauge battery lead
 Mounting bolts pattern : 330 mm x 114.3 mm (13" x 4.5")
 Winch weight (including rope) : 61 kg / 135 lb
 Gross weight : 86 kg / 190 lb
 Box dimension, (L x D x H) : 670 x 390 x 620 mm (26.4" x 15" x 24.4")

DIMENSION mm/in :



PERFORMANCE DATA :

Line Pull and Rope Capacity

Layer of Rope	Pull by Layer, kg / lb	Total Rope on the Drum, m / ft
1 st	3,630 / 8,000	5.7 / 18.7
2 nd	2,802 / 6,177	13.2 / 43.3
3 rd	2,282 / 5,031	22.3 / 73.2
4 th	1,925 / 4,244	33.2 / 108.9
5 th	1,664 / 3,669	46 / 151

Line Speed and Amp. Draw (1st layer of rope on the drum)

Line Pull kg / lb	Line Speed, mpm / fpm	Amp. Draw, A 12V
No Load	50 / 164	96
910 / 2,000	13.9 / 45.6	310
1,810 / 4,000	7.0 / 22.9	500
2,720 / 6,000	4.0 / 13.1	610
3,630 / 8,000	1.6 / 5.2	820

STANDARD ACCESSORIES:

- Remote control w/5 m (17') cord
- Air free-spool clutch fitting
- Hawse fairlead
- Dual sealed contactors
- 1.8 m (6') 2/0 gauge battery lead

OPTION ACCESSORIES :

- Synthetic rope 11 mm x 46 m
- Sling hook



MadX

OUR FASTEST PLANETARY GEAR WINCH
When your race motor can't get traction to the ground,
You need another high speed motor to pull you back on track.



8,000 LB Extreme Racing Winch with 25mpm Line Speed



Note : Hawse fairlead does not mount to winch

Seal MadX 8.0s **PN 296065** (12V) 10" Long Drum
(with synthetic rope, hawse fairlead, remote control)

SPECIFICATIONS :

- Rated line pull : 3,630 kg (8,000 lb) single line
- Motor : 5,250 w / 7.0 hp 12V series wound
- Gear train & ratio : 3-stage planetary, 67:1
- Clutch (freespooling) : Rotating ring gear
- Brake (outside the drum) : Automatic, full load cone brake
- Winch construction : Aluminum die cast housings with steel drum
- Drum size : 63.5 x 227 mm (2.5" x 8.9")
- Control : Waterproof remote with thermometric indicator LED w/5 m (17') cord
- Rope : Synthetic rope, 10 mm x 30.5 m (3/8" x 100')
- Recommended battery : 650 CCA minimum for winching
- Battery lead : 1.8 m (6') 2 gauge battery lead
- Mounting bolts pattern : 254 mm x 114 mm (10" x 4.5')
- Winch weight (including rope) : 28 kg / 61.7 lb
- Gross weight : 40.5 kg / 89.1 lb
- Box dimension, (L x D x H) : 712 x 209 x 430 mm (28" x 8.2" x 16.9')

PERFORMANCE DATA :

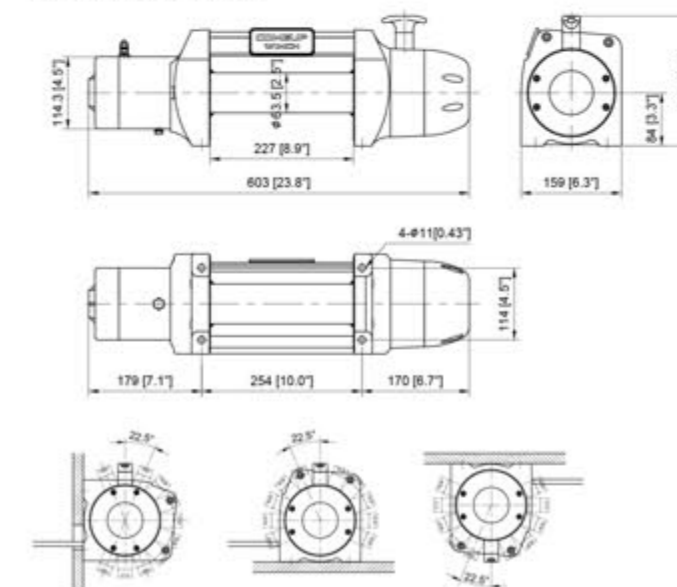
Line Pull and Rope Capacity

Layer of Rope	Pull by Layer, kg / lb	Total Rope on the Drum, m / ft
1 st	3,630 / 8,000	5.8 / 19.1
2 nd	2,924 / 6,446	13.1 / 42.9
3 rd	2,449 / 5,399	21.7 / 71.2
4 th	2,106 / 4,643	30.5 / 100

Line Speed and Amp. Draw (1st layer of rope on the drum)

Line Pull kg / lb	Line Speed, mpm / fpm	Amp. Draw, A 12V
No Load	25 / 82	45
907 / 2,000	10.8 / 35.4	125
1,814 / 4,000	8.5 / 27.9	249
2,722 / 6,000	4.1 / 13.5	378
3,630 / 8,000	1.0 / 3.3	500

DIMENSION mm/in :



16 equally positioned pin holes ensure seamless clutch transmission and make it easily rotate by 22.5° increments.



9,000 LB Rock Crawling Winch



Note : Hawse fairlead does not mount to winch

Cap 9.0s **PN 859312** (12V)
(with synthetic rope, hawse fairlead, remote control)

SPECIFICATIONS :

- Rated line pull : 4,082 kg (9,000 lb) single line
- Motor : 3,430 w / 4.6 hp 12V series wound w/thermal protection switch
- Gear train & ratio : 3-stage planetary 156:1
- Clutch (freespooling) : Rotating ring gear for manual rope unwinding
- Brake (outside the drum) : Automatic, full load CBS (Cone Brake Structure)
- Winch construction : Aluminum die cast housings with steel drum
- Drum size : 63.5 x 125 mm (2.5" x 4.9")
- Control : Waterproof remote with thermometric indicator LED w/5 m (17') cord
- Rope : Synthetic rope, 10 mm x 15.2 m (3/8" x 50')
- Recommended battery : 650 CCA minimum for winching
- Battery lead : 1.8 m (6') 2 gauge battery lead
- Mounting bolts pattern : 152 x 114 mm (6" x 4.5")
- Winch weight (including rope) : 24.5 kg / 54 lb
- Gross weight : 34.3 kg / 75.6 lb
- Box dimension : 550 x 195 x 425 mm (21.7" x 7.7" x 16.7")

PERFORMANCE DATA :

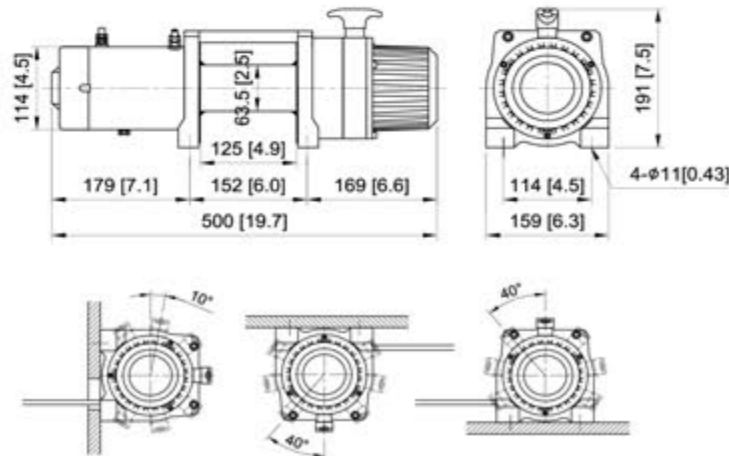
Line Pull and Rope Capacity

Layer of Rope	Pull by Layer, kg / lb	Total Rope on the Drum, m / ft
1 st	4,082 / 9,000	2.9 / 9.5
2 nd	3,270 / 7,209	6.6 / 21.7
3 rd	2,728 / 6,014	11 / 36.1
4 th	2,340 / 5,158	15.2 / 50

Line Speed and Amp. Draw (1st layer of rope on the drum)

Line Pull kg / lb	Line Speed, mpm / fpm	Amp. Draw, A 12V
No Load	13.7 / 45	55
907 / 2,000	4.7 / 15	110
1,814 / 4,000	3.5 / 11.5	200
2,722 / 6,000	2.7 / 9	230
3,629 / 8,000	2.4 / 7.8	260
4,082 / 9,000	2.1 / 6.8	350

DIMENSION mm/in :



9 equally positioned pin holes ensure seamless clutch transmission and make it easily rotate by 40° increments.

UTILITY DUTY WINCH

The Utility Duty winch series are designed to be a flexible tool for loading trailers or moving various vehicles or even boats into position. COMEUP winch provide line pull of 2,500 - 5,000 lb rating with power-out device for rapid wire rope payout. They are dexterous, easy-to-install and high torque permanent magnet motor delivers high line pull at lower amp draw. Dual brakes of automatic load-holding mechanical brake and motor dynamic brake features strength and reliability.

- Power in and Power out.
- High torque permanent magnet motor enables high line pull at lower amp and slip free dynamic brake.
- 3-stage planetary gearbox delivers the most reliable and durable performance of winch under the most rugged conditions.
- Sliding pin and ring gear clutch for rapid wire rope payout.
- Automatic load-holding mechanical brake plus motor dynamic brake ensure holding the load without slippage.
- Compact and light weight allows a wide range of application on trailers and boats.
- With circuit breakers to prevent motor overheating.
- Integrated solenoid pack for better protection of wirings.
- Standard Compliance:
 - CE Machinery Directive 2006/42/EC
 - CE Electromagnetic Compatibility Directive 2004/108/EC



- ▶ Limited Lifetime Warranty for Mechanical Components.
- ▶ Limited One (1) Year Warranty for Electrical Components.



Utility Winch 5000si **PN 645010** (12V)
(with wireless remote control, synthetic rope, hawse fairlead)

SPECIFICATIONS :

- Rated line pull :** 2,268 kg (5,000 lb) single line
- Motor :** 1,200 w / 1.6 hp, 12V permanent magnet
- Gear train & ratio :** 3-stage planetary, 170:1
- Clutch (freespooling) :** Sliding ramping
- Brake :** Mechanical spring applied brake plus permanent magnet motor dynamic brakes
- Drum size :** 54 x 83 mm (2.1" x 3.3")
- Control :** Wireless remote control and on board rocker switch control
- Rope :** Synthetic rope , 6.3 mm x 15.2 m (1/4" x 50')
- Recommended battery :** 650 CCA minimum for winching
- Battery lead :** 1.5 m (5') 6 gauge battery lead
- Mounting bolts pattern :** 72 x 93 mm (2.8" x 3.7")
- Winch weight (including rope) :** 12.7 kg / 28 lb
- Gross weight :** 16.7 kg / 36.8 lb
- Box dimension, (L x D x H) :** 462 x 271 x 185 mm (18.2" x 10.7" x 7.3")

Intelligence Dashboard (IDB) :

- Vehicle Battery Life**
The Intelligence Dashboard (IDB) displays the battery condition of your vehicle.
- Cable IN/OUT Rocker Switch**
Directly control cable IN/OUT on winch panel.
- Cutout Switch**
To activate or deactivate the winch and also deactivate the wireless receiver to prevent parasitic draw.
- Wireless Signal Strength**
The solid green LED on the wireless transmitter indicates good signal strength, but a flashing red LED indicates a weak signal.
- Wireless Signal Icon**
The Intelligence Dashboard (IDB) includes a blue wireless signal icon that is continuously illuminated to confirm the wireless remote is paired with the winch.



Convenient storage pocket for Transmitter

PERFORMANCE DATA :

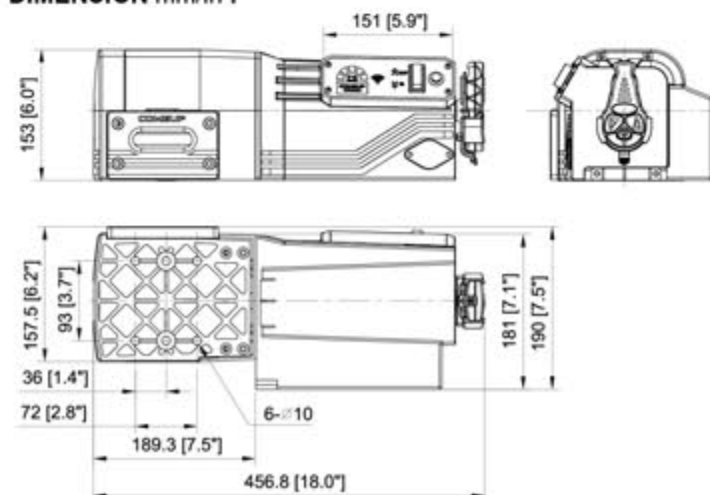
Line Pull and Rope Capacity

Layer of Rope	Pull by Layer, kg / lb	Total Rope on the Drum, m / ft
1 st	2,268 / 5,000	2.4 / 7.9
2 nd	1,876 / 4,136	5.3 / 17.4
3 rd	1,600 / 3,527	8.7 / 28.6
4 th	1,394 / 3,073	12.6 / 41.4
5 th	1,235 / 2,722	15.2 / 50

Line Speed and Amp. Draw (1st layer of rope on the drum)

Line Pull kg / lb	Line Speed, mpm / fpm	Amp. Draw, A 12V
No Load	6.0 / 20.0	25
454 / 1,000	5 / 16.4	110
907 / 2,000	3.6 / 11.8	210
1,361 / 3,000	2.5 / 8.2	270
1,814 / 4,000	1.4 / 4.6	310
2,268 / 5,000	0.6 / 2.0	390

DIMENSION mm/in :



DV-4500i **PN 641656** (12V) | **PN 642037** (24V)
DV-3500i **PN 641101** (12V) | **PN 641371** (24V)
DV-2500i **PN 640333** (12V) | **PN 640614** (24V)

SPECIFICATIONS :

- Rated line pull :**
 - DV-4500i : 2,041 kg (4,500 lb) single line
 - DV-3500i : 1,588 kg (3,500 lb) single line
 - DV-2500i : 1,134 kg (2,500 lb) single line
- Motor :**
 - DV-4500i : 1,200 w / 1.6 hp, 12V / 24V permanent magnet
 - DV-3500i : 900 w / 1.2 hp, 12V / 24V permanent magnet
 - DV-2500i : 600 w / 0.8 hp, 12V / 24V permanent magnet
- Gear train & ratio :** 3-stage planetary 170:1
- Clutch (freespooling) :** Sliding ramping
- Brake :** Mechanical spring applied and permanent magnet motor dynamic brakes together
- Drum size :** 54 x 83 mm (2.1" x 3.3")
- Control :** Handheld pendant switch remote control

PERFORMANCE DATA :

Line Pull and Rope Capacity

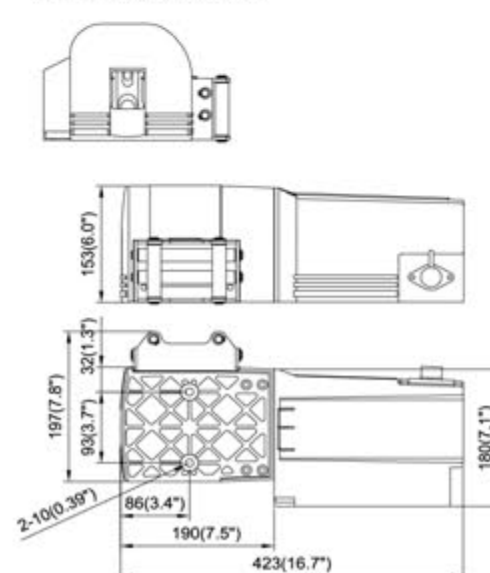
Model Number	DV-4500i		DV-3500i		DV-2500i	
	Pull by Layer, kg / lb	Total Rope on the Drum, m / ft	Pull by Layer, kg / lb	Total Rope on the Drum, m / ft	Pull by Layer, kg / lb	Total Rope on the Drum, m / ft
1 st	2,041 / 4,500	2.4 / 7.9	1,588 / 3,500	2.7 / 8.9	1,134 / 2,500	3.1 / 10.2
2 nd	1,688 / 3,722	5.3 / 17.4	1,340 / 2,954	6.0 / 19.6	975 / 2,149	6.7 / 22.0
3 rd	1,440 / 3,174	8.7 / 28.6	1,159 / 2,555	9.7 / 31.8	855 / 1,885	10.8 / 35.5
4 th	1,255 / 2,766	12.6 / 41.4	1,021 / 2,251	13.9 / 45.7	761 / 1,678	15.2 / 50
5 th	1,112 / 2,451	15.2 / 50	913 / 2,012	15.2 / 50	-	-

Line Speed and Amp. Draw (1st layer of rope on the drum)

Model Number	DV-4500i		DV-3500i		DV-2500i				
	Line Pull kg / lb	Line Speed mpm / fpm	Amp. Draw, A 12V	Amp. Draw, A 24V	Line Speed mpm / fpm	Amp. Draw, A 12V	Amp. Draw, A 24V		
No Load	6.5 / 21.3	25	10	6.5 / 21.3	25	10	5.0 / 16.4	30	10
454 / 1,000	5.0 / 16.4	110	55	5.0 / 16.4	110	55	3.5 / 11.0	80	55
907 / 2,000	3.6 / 11.8	210	95	3.6 / 11.8	200	100	2.3 / 7.5	150	115
1,134 / 2,500	3.2 / 10.5	240	110	3.2 / 10.5	230	115	1.3 / 4.2	200	140
1,361 / 3,000	2.5 / 8.2	270	120	2.5 / 8.2	260	140	-	-	-
1,588 / 3,500	1.8 / 5.9	290	140	1.8 / 5.9	300	180	-	-	-
1,814 / 4,000	1.4 / 4.6	310	155	-	-	-	-	-	-
2,041 / 4,500	0.4 / 1.3	330	170	-	-	-	-	-	-

- Rope :**
 - DV-4500i : Galvanized aircraft A7 x 19, 6.3 mm x 15.2 m (1/4" x 50')
 - DV-3500i : Galvanized aircraft A7 x 19, 5.5 mm x 15.2 m (7/32" x 50')
 - DV-2500i : Galvanized aircraft A7 x 19, 4.8 mm x 15.2 m (3/16" x 50')
- Recommended battery :** 650 CCA minimum for winching
- Battery lead :**
 - 12V : 1.5 m (5') 6 gauge battery lead
 - 24V : 1.5 m (5') 8 gauge battery lead
- Mounting bolts pattern :** 86 x 93 mm (3.4" x 3.7")
- Winch weight (including rope) :**
 - DV-4500i : 14.2 kg / 31.2 lb
 - DV-3500i : 13.9 kg / 30.6 lb
 - DV-2500i : 13.5 kg / 29.7 lb
- Gross weight :**
 - DV-4500i : 18.2 kg / 40 lb
 - DV-3500i : 17.9 kg / 39.4 lb
 - DV-2500i : 17.5 kg / 38.5 lb
- Box dimension :** 470 x 280 x 200 (18.5" x 11" x 7.9")

DIMENSION mm/in :



Wireless Remote Control

- PN 881262 RF-24C for automotive winches with a 6-pin plug
- PN 880609 RF-24A for automotive winches with a 3-pin plug

COMEUP wireless remote control communicates by a 2.4GHz digital transmission frequency. It delivers a reliable connection covering up to 27m (90') radius without interference. Users will experience virtually no interference and no time-lag operation when multiple devices are used in the same working area. The two-way communications provides feedback on signal receiving and it requires no manual configuration. It's easy to install. By simple plug-and-play, it starts working within seconds. Each pairing transmitter links up and stays linked automatically. You never have to worry about anyone having the same frequency. The sooner they are installed, the faster they work.

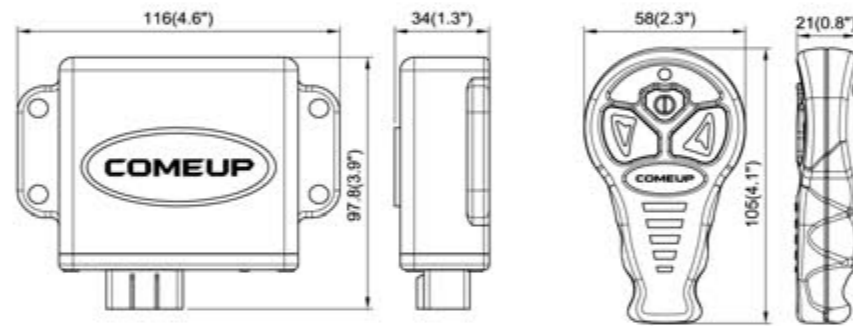
- Works with any 12 or 24 volt contact-switched automotive winches.
- 2.4 GHz wireless technology works within 27m (90') radius and the anti-interference function lets you move around an obstacle for winching.
- Stylish and ergonomic design fits comfortably with your hand.
- Power is switched on after a 5-second continuous press for safety.
- Power is cut after 5-minutes of inactivity for safety and conserving battery life.
- The transmitter can be self-coded, simplifying installation and replacement.
- Meet international standards of CE Electromagnetic Compatibility Directive 2004/108/EC.
- This equipment has been tested and found to comply with the limits for a Class B digital device, pursuant to part 15 of the FCC Rules. These limits are designed to provide reasonable protection against harmful interference in a residential installation.



SPECIFICATIONS :

- Frequency :** 2.4 GHz
- Remote range :** up to 27 m (90')
- LED indication :** Green light for power on.
Red light for winching.
Blinking green light for low battery life.
Blinking red light for poor signal received.
- Transmitter :** 3V lithium battery, weight: 60 g / 2.1 oz
- Receiver :** DC 8-24V rated 7.5A, weight: 150 g / 5.3 oz
- WARRANTY :** Each new wireless remote control is guaranteed against defects in workmanship and material defects for period of one (1) year from date of purchase.

DIMENSION mm/in :



Medium Duty Kit PN 883436

Designed for winch single line capacity up to 4,309 kg / 9,500 lb
Includes :

- 10,000 kg / 22,000 lb maximum capacity snatch block, PN 881079
- 100 mm x 2.4 m (4" x 8') tree trunk protector strap, PN 881091
- 75 mm x 9 m (3" x 30') recovery strap rated to 9,800 / 21,600 lb, PN 881090
- Bow shackle, 33 mm (3/4") pin diameter, PN 883440
- Gloves, PN 883437
- Bag, PN 883439



Heavy Duty Kit PN 883438

Designed for winch single line capacity up to 6,803 kg / 15,000 lb
Includes :

- 13,610 kg / 30,000 lb maximum capacity snatch block, PN 881082
- 100 mm x 2.4 m (4" x 8') tree trunk protector strap, PN 881091
- 75 mm x 9 m (3" x 30') recovery strap rated to 9,800 kg / 21,600 lb, PN 881090
- Bow shackle, 33 mm (3/4") pin diameter, PN 883440
- 3 m of 8 mm (10' of 5/16") grade 70 choker chain with hooks, PN 881096
- Gloves, PN 883437
- Bag, PN 883439



DC Solenoid

- PN 881077 (12V) / PN 881078 (24V)
for DV-2500i/3500i/4500i



Quick Connector

- PN 881075 50A
- PN 881076 175A



Sealed Contactor

- PN 881355 (12V) / PN 881356 (24V)
400A, for DV-9/9s/9i/9si/12 light/12s light/
12/15/18, Seal Gen2 9.5/9.5s/9.5rs/9.5i/
9.5si/9.5rsi/12.5/12.5s/12.5rs/16.5/16.5s/16.5rs,
Cap 9.0s, Blazer, Seal MadX 8.0s, Walrus 18.0/22.0
- PN 881357 (12V) 250A, for DV-6/6s/6rs carry on
- PN 883402 (12V) / PN 883403 (24V)
DES-5012 500A available for competition winch



Remote Control

- PN 880295 for DV-2500i/3500i/4500i
- PN 880025 for DV-6/6s/6rs carry on
- PN 880126 for Seal Gen2 9.5/9.5s/9.5rs/9.5i/
9.5si/9.5rsi/12.5/12.5s/12.5rs/16.5/16.5s/16.5rs,
DV-9/9s/9i/9si/12 light/12s light/12/15/18,
Cap 9.0s, Blazer, Seal MadX 8.0s (comes with
protective thermal sensor LED)
- PN 881671 for Walrus 18.0/22.0 (comes with protective
thermal sensor LED & military quick connector)



Snatch Block

- PN 881079 Max. load 10,000 kg / 22,000 lb for
DV-6/6s/6rs carry on, DV-9/9s/9i/9si,
Seal Gen2 9.5/9.5s/9.5rs/9.5i/9.5si/9.5rsi,
Cap 9.0s, Blazer, Seal MadX 8.0s
- PN 881080 Max. load 5,000 kg / 11,000 lb for
DV-2500i/3500i/4500i
- PN 881082 Max. load 13,610 kg / 30,000 lb for
DV-12 light/12s light/12/15, Seal Gen2 12.5/12.5s/12.5rs



Mounting Channel

- PN 881083 Front mounting channel for
DV-6 Long drum, DV-9/9s/9i/9si,
Seal Gen2 9.5/9.5s/9.5rs/9.5i/9.5si/9.5rsi
- PN 881085 Front mounting channel for DV-12/15
- PN 882264 2" hitch receiver for DV-6s carry on



ESC-1250 Motor

- PN 883157 7.0hp 12V series wound motor with 5,000 rpm
available for competition winch



Rope Stopper

- PN 883399 for 10/11 mm diameter synthetic rope to
protect the fairlead



Synthetic Rope

- PN 883325 w/o hook for Seal Gen2 16.5s/16.5rs
- 25 m (82') of 12.7 mm (1/2") diameter synthetic rope designs for electric winches application with line pull of 7,484 kg (16,500 lb) or less
- PN 883248 w/o hook for Seal Gen2 9.5s/9.5rs/9.5si/9.5rsi, DV-9s/9si, Seal MadX 8.0s
- 30.5 m (100') of 10 mm (3/8") diameter synthetic rope designs for off-road winches application with line pull of 4,309 kg (9,500 lb) or less.
- PN 883285 w/o hook for Seal Gen2 12.5s/12.5rs, DV-12s light
- 25 m (82') of 11 mm (7/16") diameter synthetic rope designs for off-road winches application with line pull of 5,670 kg (12,500 lb) or less.
- PN 883261 w/o hook for Cap 9.0s
- 15.2 m (50') of 10 mm (3/8") diameter synthetic rope designs for off-road winch application with line pull of 4,082 kg (9,000 lb) or less.
- PN 883274 w/o hook for DV-6s/6rs carry on
- 24.4 m (80') of 8 mm (5/16") diameter synthetic rope designs for portable winch application with line pull of 2,722 kg (6,000 lb) or less.
- PN 883413 w/o hook for Utility Winch 5000si
- 15.2 m (50') of 6.3 mm (1/4") diameter synthetic rope design for utility duty winch application with line pull of 2,268 kg (5,000 lb) or less.



Wire Rope with Safety Hook

- PN 881246 11.1 mm x 27.1 m (7/16" x 89') for DV-15
- PN 880052 9.5 mm x 38.1 m (3/8" x 125') for DV-12
- PN 881522 9.5 mm x 25 m (3/8" x 82') for DV-12 light, Seal Gen2 12.5
- PN 880112 8.7 mm x 30.5 m (11/32" x 100') for Seal Gen2 9.5/9.5i
- PN 880010 8.3 mm x 30.5 m (21/64" x 100') for DV-9/9i
- PN 882329 7.1 mm x 24.4 m (9/32" x 80') for DV-6 Std. drum
- PN 882330 7.1 mm x 30.5 m (9/32" x 100') for DV-6 Long drum
- PN 880305 6.3 mm x 15.2 m (1/4" x 50') for DV-4500i
- PN 880298 5.5 mm x 15.2 m (7/32" x 50') for DV-3500i
- PN 880288 4.8 mm x 15.2 m (3/16" x 50') for DV-2500i



Wire Rope

PN 881929 12.7 mm x 25 m (1/2" x 82') for DV-18

PN 882027 11.1 mm x 27.4 m (7/16" x 90') for

Seal Gen2 16.5

PN 883082 12.7 mm x 25 m (1/2" x 82'), 6 x 29 – IWRC

(Breaking strength 126.4 kN for Walrus 22.0

PN 883081 11.1 mm x 27 m (7/16" x 89'), 6 x 29 – IWRC

(Breaking strength 100.7 kN) for Walrus 18.0



Hook

PN 882477 sling hook for Seal Gen2 9.5s/9.5rs/9.5i/9.5si/

12.5s/12.5rs/16.5s/16.5rs, DV-9s/9si/12s light, Cap 9.0s,

Seal MadX 8.0s, Blazer

PN 881996 1/2" clevis hook for DV-18, Seal Gen2 16.5,

Walrus 18.0/22.0

PN 881995 3/8" clevis hook for DV-6s/6s carry on

PN 881997 5/16" clevis hook for Utility Winch 5000si



Bow Shackles

PN 881092 20 mm (3/4") pin diameter

PN 883440 33 mm (3/4") pin diameter



Detachable Control Box

PN 881164 (12V) for DV-9/9s/12 light/12s light/12/15/18,

Seal Gen2 9.5/9.5s/12.5/12.5s/16.5/16.5s, Cap 9.0s,

Seal MadX 8.0s

PN 881165 (24V) for DV-9/9s/12 light/12s light/12/15/18,

Seal Gen2 16.5/16.5s

PN 882780 (12V) for Seal Gen2 9.5rs/12.5rs/16.5rs,

w/built-in wireless receiver

PN 882781 (24V) for Seal Gen2 16.5rs w/built-in

wireless receiver

PN 882242 (12V) with handle for DV-6s carry on

PN 882265 (12V) with handle for DV-6 Std. drum, DV-6s

PN 882398 (12V) for DV-6 Long drum



Air Clutch

PN 883036 for Seal Gen2

9.5/9.5s/9.5rs/9.5si/9.5rsi/12.5/12.5s/12.5rs,

Seal MadX 8.0s



Clutch Lever Kit

PN 883236 for Seal Gen2 9.5/9.5s/9.5rs/9.5si/9.5rsi/12.5/12.5s/12.5rs

PN 883239 for Seal Gen2 16.5/16.5s/16.5rs/16.5rs, Walrus 18.0/22.0



Emergency Stop Switch

PN 881668 400A



Battery Isolation Switch

PN 881097 2 Position Off-On 12V 500 Amp for

Seal Gen2/DV/Cap Series Winch



Bridge Control Box

PN 881160 (12V) / PN 881161 (24V)

for DV-9i /9si

PN 882681 (12V) for Seal Gen2 9.5i/9.5si

PN 882685 (12V) for Seal Gen2 9.5rsi

w/built-in wireless receiver



Roller Fairlead

PN 880289 63 mm throat for DV-2500i/3500i/4500i

PN 880066 179 mm throat for DV-12/15/18, Seal Gen2

9.5/9.5s/12.5/16.5

PN 880096 109 mm throat for DV-6 Std. drum

PN 880023 210 mm throat for DV-6 Long drum,

DV-9/9i/12 ligh, Seal Gen2 9.5/9.5i/12.5

PN 882990 179 mm throat for Walrus 18.0

PN 883088 229 mm throat for Walrus 22.0



Hawse Fairlead

PN 881061 184 mm throat for Seal Gen2

9.5s/9.5rs/9.5si/9.5rsi/12.5s/12.5rs/16.5s/16.5rs,

DV-9s/9si/12s light

PN 882152 112 mm throat for Cap 9.0s,

DV-6s/6s carry on

PN 882697 265 mm throat for Blazer

PN 883411 for Utility Winch 5000si

PN 883187 275(W) x 25(H) mm throat /

PN 883188 275(W) x 50(H) mm throat for

Blazer competition winch



Elite Hawse Fairlead

PN 883377 184 mm throat for MadX winch



Race Team Hawse Fairlead

PN 883042 82 mm throat for short drum

winch with 6" mounting bolts pattern

PN 883043 133 mm throat for short drum

winch with 8" mounting bolts pattern

PN 883063 184 mm throat for short drum

winch with 6" mounting bolts pattern



Cable Tensioner

PN 881087 204 mm for DV-12/15

PN 882038 184 mm for DV-18

PN 883091 330 mm for Walrus 20.0

PN 883090 280 mm for Walrus 18.0



Recovery Strap

Use a recovery strap to snatch or pull out a stuck vehicle.

• 9,800 kg / 21,600 lb recovery strap

75 mm x 9 m (3" x 30') , PN 881090



Tree Trunk Protector Strap

This tree trunk protector strap is useful for

connecting a winch wire rope to almost any

anchor point, but is primarily designed to

prevent damage to a live tree trunk.

• 13,610 kg / 30,000 lb tree trunk protector

100 mm x 2.4 m (4" x 8') , PN 881091



Walrus/ Seal Gen2/Cap/MadX/Blazer

Model Number		Walrus		Seal Gen2											Cap 9.0s	MadX 8.0s	Blazer	
		22.0	18.0	16.5	16.5s	16.5rs	12.5	12.5s	12.5rs	9.5	9.5s	9.5rs	9.5i	9.5si				9.5rsi
Rated line pull	lb	22,000	18,000	16,500	16,500	16,500	12,500	12,500	12,500	9,500	9,500	9,500	9,500	9,500	9,500	9,000	8,000	8,000
Remote control		●	●	●	●	●	●	●	●	●	●	●	●	●	●	●	●	●
Control box	12V	-	-	●	●	●	●	●	●	●	●	●	●	●	●	●	●	●
	24V	●	●	●	●	●	-	-	-	-	-	-	-	-	-	-	-	-
Wire rope w/hook		●	●	●	-	-	●	-	-	●	-	-	-	-	-	-	-	-
Synthetic rope w/hook		-	-	-	●	●	-	●	-	●	●	-	●	●	●	●	●	●
Roller fairlead		●	●	●	-	-	●	-	-	●	-	-	●	-	-	-	-	-
Hawse fairlead		-	-	-	●	●	-	●	●	-	●	●	-	●	●	●	●	●
Circuit breaker		○	○	○	○	○	○	○	○	○	○	○	○	○	○	○	○	○
Battery lead		●	●	●	●	●	●	●	●	●	●	●	●	●	●	●	●	●
Handsaver strap		●	●	●	●	●	●	●	●	●	●	●	●	●	●	●	●	●
Cable tensioner		●	●	-	-	-	-	-	-	-	-	-	-	-	-	-	-	-
Snatch block		-	-	-	-	-	○	○	○	○	○	○	○	○	○	○	○	○
Mounting channel		-	-	-	-	-	-	-	-	○	○	○	○	○	○	-	-	-
Winch accessory kit		-	-	-	-	-	○	○	○	○	○	○	○	○	○	○	○	○
Wireless remote control		-	-	○	○	Built-in	○	○	Built-in	○	○	Built-in	○	○	Built-in	○	○	○
Rope stopper		-	-	-	○	○	-	○	○	○	○	-	○	○	○	○	○	○
Externed clutch kit		-	-	○	○	○	○	○	○	○	○	○	○	○	○	-	-	-
Air clutch		-	-	-	-	-	○	○	○	○	○	○	○	○	○	-	○	-

DV/Utility Duty Winch

Model Number		18	15	12	12 light	12s light	DV-				Utility Winch 5000si			4500i	DV-	2500i	
		18,000	15,000	12,000	12,000	12,000	9	9s	9i	9si	6	6s	6s carry on	5,000	4,500	3,500	2,500
Rated line pull	lb	18,000	15,000	12,000	12,000	12,000	9,000	9,000	9,000	9,000	6,000	6,000	6,000	5,000	4,500	3,500	2,500
Remote control		●	●	●	●	●	●	●	●	●	●	●	●	-	●	●	●
Control box	12V	●	●	●	●	●	●	●	●	●	●	●	●	Built-in	Built-in	Built-in	Built-in
	24V	●	●	●	●	●	●	●	●	●	●	●	●	-	Built-in	Built-in	Built-in
Wire rope w/hook		●	●	●	●	-	●	-	●	-	●	-	-	-	●	●	●
Synthetic rope w/hook		-	-	-	-	●	-	●	-	●	-	●	●	●	-	-	-
Roller fairlead		●	●	●	●	-	●	-	●	-	●	-	-	-	●	●	●
Hawse fairlead		-	-	-	-	●	-	●	-	●	-	●	-	-	-	-	-
Circuit breaker		○	○	○	○	○	○	○	○	○	○	○	○	○	○	○	○
Battery lead		●	●	●	●	●	●	●	●	●	●	●	●	●	●	●	●
Handsaver strap		●	●	●	●	●	●	●	●	●	●	●	●	●	●	●	●
Cable tensioner		○	○	○	-	-	-	-	-	-	-	-	-	-	-	-	-
Snatch block		-	○	○	○	○	○	○	○	○	○	○	○	○	○	○	○
Mounting channel		-	○	○	-	-	○	○	○	○	○	○	○	○	○	○	○
Winch accessory kit		-	○	○	○	○	○	○	○	○	○	○	○	○	○	○	○
Wireless remote control		○	○	○	○	○	○	○	○	○	○	○	○	Built-in	○	○	○
Rope stopper		-	-	-	-	○	-	○	-	○	-	-	-	-	-	-	-

● Means as a standard accessory / ○ Means as an option accessory