

DEFENCE & SECURITY WINCH

EXTREME PERFORMANCE

Incredible, Submersible, Sealed, Waterproof and Defence & Security Winches

COMEUP premium quality winches have been to the North Pole, the South Pole and nearly everywhere in between. Defence & Security winches features corrosion resistance 720 hrs. and contactor & motor potted provides complete protection. Double lip and spring seal at drum housings and rubber seals at motor and gear housing joints for IP68 waterproof and dustproof. With line pull capacities up to 22,000lb and a limited lifetime warranty exceed your winching expectation.

▶ **Walrus Series 18,000 - 22,000 lb**



- ▶ Limited Lifetime Warranty for Mechanical Components.
- ▶ Limited One (3) Year Warranty for Electrical Components.



Walrus series

18,000 – 22,000 lb pulling capacity

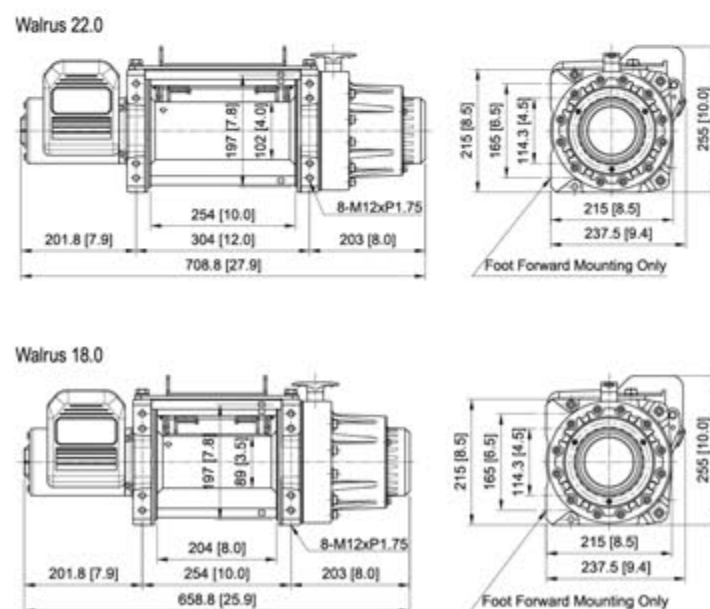


- 1 Full Sealed Contactor & Motor**
Potted contactor and motor provide complete protection from water penetration and allow dependable operation in up to 1.8 meter of water.
- 2 Military Connector**
Industrial duty remote control with twist-on connector to provide total protection from water.
- 3 Aluminum Alloy Housings**
Tough aluminum alloy die cast housings withstand strength of 2 times winch line pull at least.
- 4 Double Lip and Spring Seal at Drum Housings**
Rubber seals at motor and gear housing joints for independent water protection.
- 5 Rapid Wire Rope Payout & Clutch Reposition**
An ergonomic T-handle positively engages the free spool clutch through multiple evenly spaced locking holes. 4 equally positioned pin holes ensure seamless clutch transmission and make it easily rotated by 90 degree increments to ease accessibility in various winch mounting positions.
- 6 Hardened Steel 3-stage Planetary Gear Train**
Rugged and quiet planetary gears for maximum mechanical efficiency.
- 7 Automatic, Full Load Cone Brake Structure (CBS)**
U.S. Germany, U.K. France, etc patented mechanical cone brake mounted outside the drum expedites heat dispersion and holds the full load without slippage.
- 8 Standard Accessories**
Comes with cable tensioner and roller fairlead as standard.
- 9 Protective Thermal Sensor LED**
Waterproof remote control with thermometric LED indicator alerts when receiving a warning signal from the motor overheated.

Corrosion resistance 720 hrs
Qualified IP 68 (Ingress Protection Rating)

- Walrus winches comply with the requirement and acceptance condition of IEC 60529 Edition 2.1:2001 ingress of protection provided by Enclosure—IP68.
- Meet international standards of CE Machinery Directive 2006/42/EC, CE Electromagnetic Compatibility Directive 2004/108/EC, and SAE J706 surface vehicle standard 2003-08 rev.

DIMENSION mm/in :



Walrus 22.0 / 18.0

22,000 ~ 18,000 LB Defence & Security Winch



Walrus 22.0 **PN 282210** (24V)
(with wire rope, roller fairlead, cable tensioner, remote control)
Walrus 18.0 **PN 281810** (24V)
(with wire rope, roller fairlead, cable tensioner, remote control)

Note: Roller fairlead does not mount to winch

SPECIFICATIONS :

Rated line pull :
Walrus 22.0 : 9,980 kg (22,000 lb) single line
Walrus 18.0 : 8,165 kg (18,000 lb) single line

Motor : series wound w/thermal protection switch
Walrus 22.0 : 5,250 w / 7.0 hp 24V
Walrus 18.0 : 4,474 w / 6.0 hp 24V

Gear train & ratio : 3-stage planetary, 343:1

Clutch (freespooling) : Rotating ring gear

Brake (outside the drum) : Automatic, full load CBS (Cone Brake Structure)

Winch construction : Aluminum die cast housings with steel drum

Drum size :
Walrus 22.0: 102 mm x 254 mm (4" x 10")
Walrus 18.0 : 89 mm x 204 mm (3.5" x 8")

Control : Waterproof remote with thermometric indicator LED w/ 5 m (17') cord

Rope :
Walrus 22.0 : 6 × 29 – IWRC (Breaking strength 126.4 kN), 12.7 mm x 25 m (1/2" x 82')
Walrus 18.0 : 6 × 29 – IWRC (Breaking strength 100.7 kN), 11.1 mm x 27 m (7/16" x 89')

Recommended battery : 650 CCA minimum for winching

Battery lead : 1.8 m (6') 2 gauge battery lead

Mounting bolts pattern :
Walrus 22.0 : 304 mm x 114.3 mm (12" x 4.5"); 304 mm x 165 mm (12" x 6.5")
Walrus 18.0 : 254 mm x 114.3 mm (10" x 4.5"); 254 mm x 165 mm (10" x 6.5")

Mounting : Foot forward mounting only

Winch weight (including rope) :
Walrus 22.0 : 80 kg / 176.4 lb
Walrus 18.0 : 72 kg / 158.7 lb

Gross weight :
Walrus 22.0 : 86.1 kg / 189.8 lb
Walrus 18.0 : 78 kg / 172 lb

Box dimension, (L x D x H) :
Walrus 22.0 : 745 x 275 x 430 mm (29.3" x 10.8" x 16.9")
Walrus 18.0 : 690 x 270 x 405 mm (2.72" x 10.6" x 15.9")

PERFORMANCE DATA :

Line Pull and Rope Capacity

Layer of Rope	Pull by Layer, kg / lb		Total Rope on the Drum, m / ft	
	Walrus 22.0	Walrus 18.0	Walrus 22.0	Walrus 18.0
1 st	9,980 / 22,000	8,165 / 18,000	7.0 / 23	5.6 / 18.3
2 nd	8,171 / 18,014	6,683 / 14,733	15.5 / 50.9	12.4 / 40.6
3 rd	6,917 / 15,249	5,656 / 12,469	25 / 82	20.4 / 67
4 th	-	4,903 / 10,809	-	27 / 89

Line Speed and Amp. Draw (1st layer of rope on the drum)

Line Pull kg / lb	Line Speed, mpm / fpm		Amp. Draw, A	
	Walrus 22.0 24V	Walrus 18.0 24V	Walrus 22.0 24V	Walrus 18.0 24V
No Load	9.0 / 29.5	7.0 / 23	30	35
2,268 / 5,000	3.2 / 10.5	3.5 / 11.5	100	90
4,536 / 10,000	2.5 / 8.2	2.6 / 8.5	160	120
6,804 / 15,000	2.0 / 6.6	2.2 / 7.2	240	170
8,165 / 18,000	-	1.7 / 5.6	-	210
9,980 / 22,000	1.4 / 4.6	-	330	-

