

POWERSPORTS WINCH



Cub Series

2,000 - 3,000 - 4,000 lb pulling capacity

- 1 High efficient, low amp. draw and sealed permanent magnet motor
- 2 Mechanical load holding and dynamic brake for 100% braking
- 3 Full metal 3-stage planetary gear train for greater pulling force
- 4 Sliding pin and ring gear clutch device for rapid rope payout
- 5 Submersible sealed contactor handles high amps and allows higher duty cycle

COMEUP manufactures a complete line of powersports winches. COMEUP winches are always the best choice for a rider who needs help out of the mud, snow, ice or whatever obstacle stands in the way. Cub series winches are designed for endurance and reliability with features like a precision 3-stage planetary gear, center drum design, weather-sealed contactor, mechanical load holding, and easy-to-use handlebar rocker switch. If you are looking for a powerful Powersports winch to add versatility and dependability to your vehicle, we are confident we have what you want.

Standard Compliance:
CE Machinery Directive 2006/42/CE
CE Electromagnetic Compatibility Directive 2004/108/EC



COMEUP
LIMITED
LIFETIME
WARRANTY

▶ Limited Lifetime Warranty for Mechanical Components
▶ Limited One (1) Year Warranty for Electrical Components.

Cub 4s carry on

4,000 LB Powersports Portable Winch



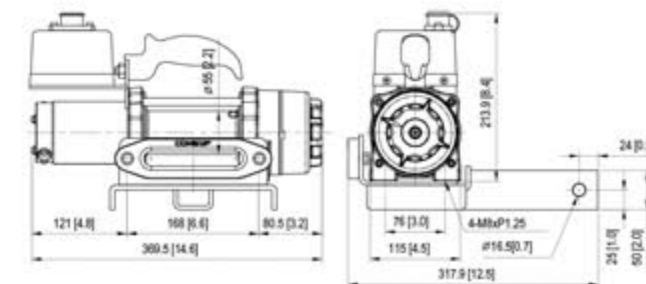
Note : Hawse fairlead does not mount to winch

Cub 4s carry on **PN 123930** (12V)
(with wire rope, roller fairlead, remote control, 2" hitch receiver)

SPECIFICATIONS :

Rated line pull : 1,814 kg (4,000 lb) single line
Motor : 800 w / 1.0 hp 12V permanent magnet
Gear train & ratio : 3-stage planetary 191:1
Clutch (freespooling) : Sliding pin and ring gear
Brake : Mechanical spring applied and permanent magnet motor dynamic brakes together
Winch construction : Aluminum die cast housings and drum
Drum size : 55 x 119 mm (2.2" x 4.7")
Control : Remote control w/3 m cord
Rope : Synthetic rope, 5.5 mm x 15.2 m (7/32" x 50')
Recommended battery : 550 CCA minimum for winching
Battery lead : 1.8 m (6") 6 gauge battery lead
Mounting bolts pattern : 76 x 168 mm (3" x 6.6")
Winch weight (including rope) : 12.2 kg / 26.9 lb
Gross weight : 19.1 kg / 42.1 lb
Box dimension : 410 x 200 x 345 mm (16.1" x 7.9" x 13.6")

DIMENSION mm/in :



PERFORMANCE DATA :

Line Pull and Rope Capacity

Layer of Rope	Pull by Layer, kg / lb	Total Rope on the Drum, m / ft
1 st	1,814 / 4,000	4.0 / 13.2
2 nd	1,535 / 3,385	8.8 / 28.8
3 rd	1,331 / 2,933	14.2 / 46.7
4 th	1,174 / 2,588	15.2 / 50

Line Speed and Amp. Draw (1st layer of rope on the drum)

Line Pull kg / lb	Line Speed, mpm / fpm	Amp. Draw, A 12V
No Load	6.0 / 19.7	15
454 / 1,000	3.4 / 11.2	70
907 / 2,000	2.9 / 9.5	120
1,361 / 3,000	2.4 / 7.9	180
1,814 / 4,000	2.0 / 6.6	230



Standard Accessories

- 1 Synthetic rope 5.5 mm x 15.2m, **PN 881993**
- 2 Clevis hook, **PN 881997**
- 3 Control box w/handle, **PN 882239**
- 4 Remote control w/3m cord, **PN 881305**
- 5 Hawse fairlead, **PN 881072**
- 6 2" hitch receiver, **PN 882241**
- 7 Base plate, **PN 880269**
- 8 Quick Connector wiring kit, **PN 882252**
- 9 Mounting hardware, **PN 882369**

4,000 LB Powersports Winch



Note : Roller/Hawse fairlead does not mount to winch

Cub 4 **PN 123920** (12V)
(with wire rope, roller fairlead)

Cub 4s **PN 129410** (12V)
(with synthetic rope, hawse fairlead)

SPECIFICATIONS :

- Rated line pull : 1,814 kg (4,000 lb) single line
- Motor : 800 w / 1.0 hp 12V permanent magnet
- Gear train & ratio : 3-stage planetary 191:1
- Clutch (freespooling) : Sliding pin and ring gear
- Brake : Mechanical spring applied and permanent magnet motor dynamic brakes together
- Winch construction : Aluminum die cast housings and drum
- Drum size : 55 x 119 mm (2.2" x 4.7")
- Control : Handlebar rocker switch
- Rope :
- Cub 4 : Galvanized aircraft A7 x 19, 5.5 mm x 15.2 m (7/32" x 50')
- Cub 4s : Synthetic rope, 5.5 mm x 15.2 m (7/32" x 50')
- Recommended battery : 550 CCA minimum for winching
- Battery lead : 1.8 m (6') 6 gauge battery lead
- Mounting bolts pattern : 76 x 168 mm (3" x 6.6")
- Winch weight (including rope) :
- Cub 4 : 8.9 kg / 19.6 lb
- Cub 4s : 8 kg / 17.6 lb
- Gross weight :
- Cub 4 : 13.1 kg / 28.9 lb
- Cub 4s : 12 kg / 26.4 lb
- Box dimension : 380 x 362 x 144 mm (15" x 14.3" x 5.7')

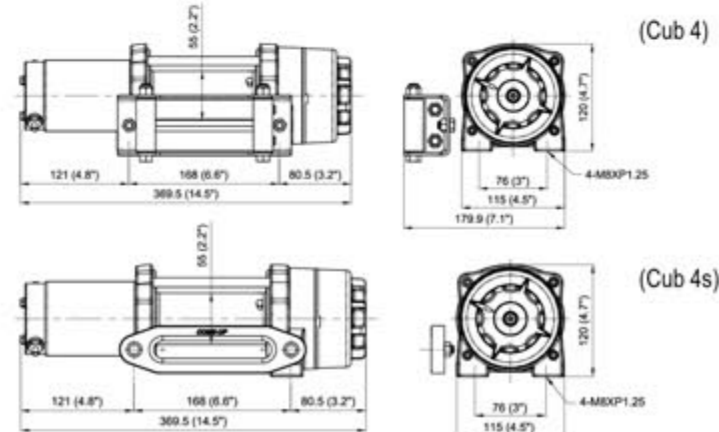
PERFORMANCE DATA :
Line Pull and Rope Capacity

Layer of Rope	Pull by Layer, kg / lb	Total Rope on the Drum, m / ft
1 st	1,814 / 4,000	4.0 / 13.2
2 nd	1,535 / 3,385	8.8 / 28.8
3 rd	1,331 / 2,933	14.2 / 46.7
4 th	1,174 / 2,588	15.2 / 50

Line Speed and Amp. Draw (1st layer of rope on the drum)

Line Pull kg / lb	Line Speed, mpm / fpm	Amp. Draw, A 12V
No Load	6.0 / 19.7	15
227 / 500	3.9 / 12.8	45
454 / 1,000	3.4 / 11.2	70
680 / 1,500	3.1 / 10.2	90
907 / 2,000	2.9 / 9.5	120
1,134 / 2,500	2.7 / 8.9	150
1,361 / 3,000	2.4 / 7.9	180
1,588 / 3,500	2.2 / 7.2	210
1,814 / 4,000	2.0 / 6.6	230

DIMENSION mm/in :



3,000 LB Powersports Winch



Note : Roller/Hawse fairlead does not mount to winch

Cub 3 **PN 123561** (12V)
(with wire rope, roller fairlead)

Cub 3s **PN 129300** (12V)
(with synthetic rope, hawse fairlead)

SPECIFICATIONS :

- Rated line pull : 1,361 kg (3,000 lb) single line
- Motor : 800 w / 1.0 hp 12V permanent magnet
- Gear train & ratio : 3-stage planetary 138.5:1
- Clutch (freespooling) : Sliding pin and ring gear
- Brake : Mechanical spring applied and permanent magnet motor dynamic brakes together
- Winch construction : Aluminum die cast housings and drum
- Drum size : 55 x 75 mm (2.2" x 3")
- Control : Handlebar rocker switch
- Rope :
- Cub 3 : Galvanized aircraft A7 x 19, 4.8 mm x 15.2 m (3/16" x 50')
- Cub 3s : Synthetic rope, 4.8 mm x 15.2 m (3/16" x 50')
- Recommended battery : 550 CCA minimum for winching
- Battery lead : 1.8 m (6') 6 gauge battery lead
- Mounting bolts pattern : 76 x 124 mm (3" x 4.9")
- Winch weight (including rope) :
- Cub 3 : 8.2 kg / 18 lb
- Cub 3s : 7.2 kg / 15.9 lb
- Gross weight :
- Cub 3 : 12.5 kg / 27.6 lb
- Cub 3s : 11.5 kg / 25.3 lb
- Box dimension : 349 x 331 x 144 mm (13.7" x 13" x 5.7')

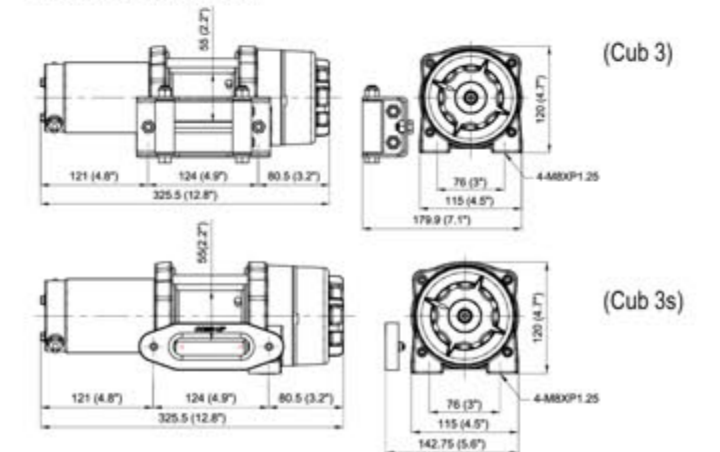
PERFORMANCE DATA :
Line Pull and Rope Capacity

Layer of Rope	Pull by Layer, kg / lb	Total Rope on the Drum, m / ft
1 st	1,361 / 3,000	2.8 / 9.3
2 nd	1,173 / 2,585	6.1 / 20.1
3 rd	1,030 / 2,271	9.9 / 32.5
4 th	918 / 2,025	14.1 / 46.3
5 th	829 / 1,827	15.2 / 50

Line Speed and Amp. Draw (1st layer of rope on the drum)

Line Pull kg / lb	Line Speed, mpm / fpm	Amp. Draw, A 12V
No Load	6.8 / 22.2	25
227 / 500	5.7 / 18.7	45
454 / 1,000	4.8 / 15.6	75
680 / 1,500	3.8 / 12.5	105
907 / 2,000	3.0 / 9.8	140
1,134 / 2,500	2.5 / 8.0	180
1,361 / 3,000	2.0 / 6.7	230

DIMENSION mm/in :



2,000 LB Powersports Winch



Note: Roller/Hawse fairlead does not mount to winch

Cub 2 **PN 122012** (12V)
(with wire rope, roller fairlead)

Cub 2s **PN 122112** (12V)
(with synthetic rope, hawse fairlead)

SPECIFICATIONS :

- Rated line pull :** 907 kg (2,000 lb) single line
- Motor :** 600 w / 0.8 hp 12V permanent magnet
- Gear train & ratio :** 3-stage planetary 103:1
- Clutch (freespooling) :** Cam activated
- Brake :** Mechanical spring applied and permanent magnet motor dynamic brakes together
- Winch construction :** Aluminum die cast drum and steel plate housings
- Drum size :** 38 x 75 mm (1.5" x 3.0")
- Control :** Handlebar rocker switch
- Rope :**
 - Cub 2 : Galvanized aircraft A7 x 19, 4 mm x 15.2 m (5/32" x 50')
 - Cub 2s : Synthetic rope, 4 mm x 15.2 m (5/32" x 50')
- Recommended battery :** 550 CCA minimum for winching
- Battery lead :** 1.8 m (6') 6 gauge battery lead
- Mounting bolts pattern :** 76 x 124 mm (3" x 4.9")
- Winch weight (including rope) :**
 - Cub 2 : 6.5 kg / 14.3 lb
 - Cub 2s : 6 kg / 13.2 lb
- Gross weight :**
 - Cub 2 : 10 kg / 22 lb
 - Cub 2s : 9 kg / 19.8 lb
- Box dimension :** 296 x 223 x 140 mm (11.7" x 8.8" x 5.5")

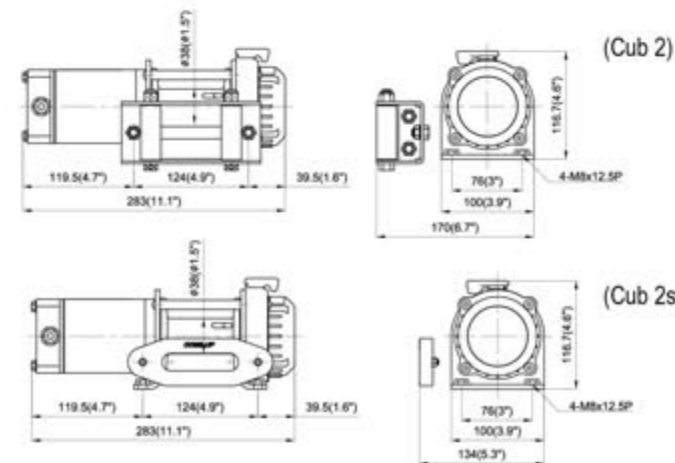
PERFORMANCE DATA :
Line Pull and Rope Capacity

Layer of Rope	Pull by Layer, kg / lb	Total Rope on the Drum, m / ft
1 st	907 / 2,000	2.4 / 7.9
2 nd	762 / 1,680	5.3 / 17.4
3 rd	657 / 1,448	8.6 / 28.2
4 th	577 / 1,272	12.4 / 40.7
5 th	515 / 1,135	15.2 / 50

Line Speed and Amp. Draw (1st layer of rope on the drum)

Line Pull kg / lb	Line Speed, mpm / fpm	Amp. Draw, A 12V
No Load	6.1 / 20.0	20
302 / 666	4.6 / 15.1	50
605 / 1,334	3.1 / 10.2	100
907 / 2,000	2.0 / 6.6	150

DIMENSION mm/in :



Wireless Remote Control

PN 881286 2.4 Ghz with 27 m (90'), RF-24D for Cub 2/2s/3/3s/4/4s carry on

Roller Fairlead

PN 880231 65 mm throat for Cub 2/3
PN 880132 109 mm throat for Cub 4

Hawse Fairlead

PN 881071 82 mm throat for Cub 2s/3s
PN 881072 108 mm throat for Cub 4s/4s carry on

Remote Control + Remote Socket

PN 881305 + PN 881004 for Cub 2/2s/3/3s/4/4s
PN 881305 for Cub 4s carry on

Contactor w/lead

PN 881385 250A, 12V for Cub 2/2s/3/3s/4/4s carry on

Handlebar Switch Kit

PN 881003 Rocker switch with cord for Cub 2/2s/3/3s/4/4s

Quick Connector

PN 881075 50A, for Cub 2/2s/3/3s/4/4s carry on

Contactor Pack

PN 881037 12V, Detachable contactor pack for Cub 2/2s/3/3s/4/4s

Snatch Block

PN 881080 Max. load 5,000 kg / 11,000 lb for Cub 4/4s/4s carry on
PN 881081 Max. load 2,700 kg / 6,000 lb for Cub 2/2s/3/3s

Powersports Winch Accessories Chart

Model Number	Cub 2	Cub 2s	Cub 3	Cub 3s	Cub 4	Cub 4s	Cub 4s carry on
Rated line pull kg	9,07	9,07	1,361	1,361	1,814	1,814	1,814
Rated line pull lb	2,000	2,000	3,000	3,000	4,000	4,000	4,000
Handlebar Switch Kit	●	●	●	●	●	●	-
Contactor Pack	●	●	●	●	●	●	-
Wire Rope w/Hook	●	-	●	-	●	-	-
Synthetic Rope w/Hook	-	●	-	●	-	●	●
Roller Fairlead	●	-	●	-	●	-	-
Hawse Fairlead	-	●	-	●	-	●	●
Handlebar Hardware	●	●	●	●	●	●	-
Mounting Hardware	●	●	●	●	●	●	●
Base Plate Kit	○	○	○	○	○	○	○
Handsaver Strap	●	●	●	●	●	●	●
Wireless Remote Control	○	○	○	○	○	○	○
Remote Control	○	○	○	○	○	○	○
Snatch Block	○	○	○	○	○	○	○

● Means as a standard accessory / ○ Means as an option accessory

Wire Rope with Hook

PN 881954 4.8 mm x 15.2 m (3/16" x 50') w/ stopper for Cub 3

PN 880257 4 mm x 15.2 m (5/32" x 50') w/ stopper for Cub 2

PN 881955 5.5 mm x 15.2 m (7/32" x 50') w/ stopper for Cub 4

Synthetic Rope

PN 881952 w/hook for Cub 3s

• 15.2 m (50') of 4.8 mm (3/16") diameter synthetic rope design for powersports winch application with line pull of 1,361 kg (3,000 lb) or less

PN 881953 w/hook for Cub 4s

PN 881993 w/o hook for Cub 4s carry on

• 15.2 m (50') of 5.5 mm (7/32") diameter synthetic rope design for powersports winch application with line pull of 1,814 kg (4,000 lb) or less

PN 881065 w/hook for Cub 2s

• 15.2 m (50') of 4 mm (5/32") diameter synthetic rope design for powersports winch application with line pull of 907 kg (2,000 lb) or less

Transmitter holder for Cub Series



▶ Press here to loose the transmitter from

▶ Transmitter Holder, **PN 881861**

▶ Wireless Remote Control with Transmitter Holder **PN 881776** 2.4 Ghz with 27 m (90'), RF-24E for Cub 2/2s/3/3s/4/4s carry on

Hook

PN 881997 5/16" clevis hook for Cub 4s carry on

