



COMEUP WINCH

COMEUP INDUSTRIES INC.
 No.139, Jieyukeng Rd., Ruifang Dist., New Taipei City 22453, Taiwan
 Tel: +886-2-24971788 / Fax: +886-2-24971699
 E-mail: info@comeup.com.tw
<http://www.comeupwinch.com>
<http://www.facebook.com/COMEUP>
<http://www.comeupwinch-blazer.com/>



Distributed By



201802-2000

Copyright © COMEUP INDUSTRIES INC. All rights reserved.
 COMEUP is registered trademark of COMEUP INDUSTRIES INC.
 Products may look different upon modification.
 Specifications are subject to change without prior notice.

COMEUP WINCH

Getting you through since 1975



2018~2019 PRODUCT GUIDE

Defence & Security Winch • Automotive Winch
 Powersports Winch • Industrial Winch
 • Hydraulic Hoist



CONTENTS

■ Defence & Security Winch	05-07
■ Automotive Winch	08-35
■ Powersports Winch	36-41
■ Industrial Winch	42-61
■ Hydraulic Hoist	62-64

COMEUP MILESTONE

1975

- Aug. Founded Chuan Phang Ent.Co. Ltd.



1996

- Contracted with TKK in Japan for the production of Keeper



2000

- Awarded DNV ISO9001 International Quality Certificate
- The branch factory in Ningbo, China



2002

- DV Series self-recovery winch awarded the Symbol of Excellence in Taiwan.



2004

- Company changed to Comeup Industries Inc.
- The branch factory in Shanghai, China



2007

- DV-9000i winch in the North Pole



COMEUP

2010

- Announced the brand's new logo
- DV-9i winch in the erupting volcano Eyjafjallajökull
- Seal 9.5i winch in the South Pole



2012

- Set up the USA branch office
- Seal 9.5si winch in the South Pole



2014

- Seal 9.5rsi winch in the South Pole
- Blazer competition winch in RFC Malaysia
- IDB (Intelligence Dashboard) patented for New Seal Gen2 version



2016

- Competition winch (Blazer) in RFC India, RFC & Rainforest Trophy Malaysia
- Seal Gen2 16.5rs was awarded the Global Media Awards Winner in SEMA



2018

- Certified by TÜV NORD according to ISO 9001:2015

1992

- Xizhi HQ & Main Factory



1998

- CWL series winches were awarded the Symbol of Excellence in Taiwan



2001

- All DC winches have had CE Marking approved
- Contracted with Furukawa Co., Ltd in Japan for the production of heavy duty hoist.



2003

- The CBS (Cone Brake Structure) brake device for winches filed patents in U.S.A., U.K., Germany, Taiwan, and China, etc.



2006

- Contracted with Planeta-Hebetechnik GmbH in Germany for the production of compact winch

2009

- New hydraulic winches had SAE J706 certificate from TÜV
- Certified by TÜV NORD according to ISO 9001:2008
- DS-9.5i winch in the South Pole



2011

- Seal 9.5i winch in the South Pole



2013

- Seal 9.5rsi winch in the South Pole
- Seal 9.5i winch in RFC Malaysia



2015

- Competition winch (Blazer) in RFC India
- Seal Gen2 9.5i winch in RFC Malaysia



2017

- Competition winch (Blazer) in RFC & Rainforest Trophy Malaysia
- Seal Gen2 9.5i/si/rsi winches were awarded the Symbol of Excellence in Taiwan
- MadX winch in Mahindra Adventure Great Escape India



WE WORK FOR OUR CUSTOMERS. NOT AN EQUITY FIRM.



Unlike most other winch companies, ComeUp is a family-run operation obsessed with the importance of detail appreciated by customers around the world. What we make, must be the best. What we do must benefit our customers.

ComeUp Vertical Factory and Headquarters : Quality From Within

Started over four decades ago, ComeUp instituted the Flexible Manufacturing System in conjunction with Mori Seiki Japan. This emphasized process controls at each step in the manufacturing process to assure high quality of each product component.

The ComeUp approach to process and quality thinking and execution is evident in the new, multi-floor factory. This vertical factory design increases control, efficiency and lines of communication compared to the typical single floor sprawl. The result is employee exposure to all product process stages and an engagement in quality output.

This is especially important with critical components, such as motors. Unlike other brands, ComeUp designs and manufactures their motors in their own manufacturing facility. This makes for perfect integration with the gear train and the ComeUp patented Cone Brake Structure. And ComeUp makes 70% of their components in-house.

Process and Safety Certified By Third Parties

ComeUp has TÜV Nord ISO 9001:2015 certification for quality management. ComeUp also has the CE marking for product safety requirements. And certain products meet the IP68 International Protection marking protected from immersion in water with depth of more than 1 meter; ATV/UTV winches have EEC Directive 97/24/EC Chapter 8 from RDW-Netherlands and hydraulic winches are compliant with SAE J706 per TÜV Rheinland.



The Companies We Keep

ComeUp products are distributed in more than 60 countries on 5 continents. We provide standard products as well as products designed specifically for OEM applications. We provide OEM products to companies such as Toyo Koken KK Japan, Furakawa Co Ltd Japan, Planeta Hebetchnik GmbH in Germany and Miller Industries - Offroaders around the world rely on our standard recovery winch products to get back home.

Reliability. It Matters To Us. It Matters To Your Customers.

ComeUp has a lifetime warranty for mechanical components and a one-year warranty for electrical components, from the date of the user's purchase.



The ComeUp internal engineering team generates their own IP



ComeUp produces the motors for their winch systems



Each and every ComeUp winch is tested before it is boxed and shipped



Skilled operators using advanced equipment— such as single-operation, complex mill-turn centers and CNC vertical machining — consistently produce components with precise tolerances.



DEFENCE & SECURITY WINCH

EXTREME PERFORMANCE

Incredible, Submersible, Sealed, Waterproof and Defence & Security Winches

COMEUP premium quality winches have been to the North Pole, the South Pole and nearly everywhere in between. Defence & Security winches features corrosion resistance 720 hrs. and contactor & motor potted provides complete protection. Double lip and spring seal at drum housings and rubber seals at motor and gear housing joints for IP68 waterproof and dustproof. With line pull capacities up to 22,000lb and a limited lifetime warranty exceed your winching expectation.

▲ Walrus Series 18,000 - 22,000 lb



- ▲ Limited Lifetime Warranty for Mechanical Components.
- ▲ Limited One (3) Year Warranty for Electrical Components.



Walrus series

18,000 – 22,000 lb pulling capacity

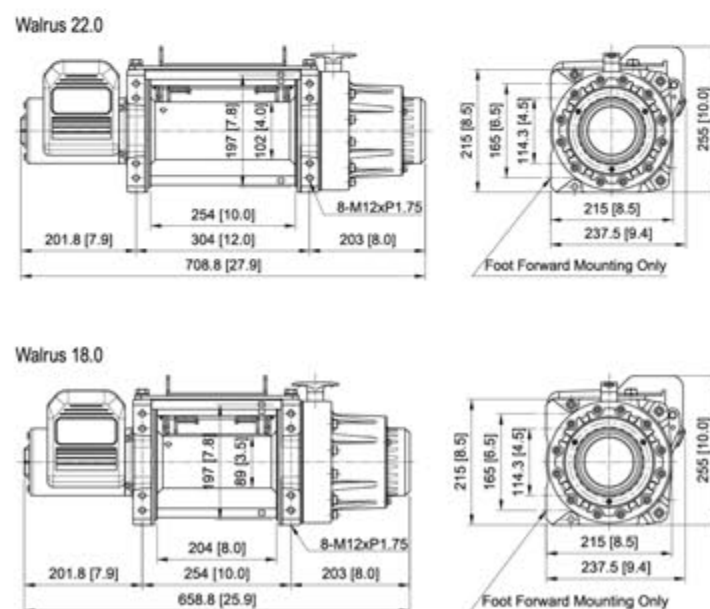


- 1 Full Sealed Contactor & Motor**
Potted contactor and motor provide complete protection from water penetration and allow dependable operation in up to 1.8 meter of water.
- 2 Military Connector**
Industrial duty remote control with twist-on connector to provide total protection from water.
- 3 Aluminum Alloy Housings**
Tough aluminum alloy die cast housings withstand strength of 2 times winch line pull at least.
- 4 Double Lip and Spring Seal at Drum Housings**
Rubber seals at motor and gear housing joints for independent water protection.
- 5 Rapid Wire Rope Payout & Clutch Reposition**
An ergonomic T-handle positively engages the free spool clutch through multiple evenly spaced locking holes. 4 equally positioned pin holes ensure seamless clutch transmission and make it easily rotated by 90 degree increments to ease accessibility in various winch mounting positions.
- 6 Hardened Steel 3-stage Planetary Gear Train**
Rugged and quiet planetary gears for maximum mechanical efficiency.
- 7 Automatic, Full Load Cone Brake Structure (CBS)**
U.S. Germany, U.K. France, etc patented mechanical cone brake mounted outside the drum expedites heat dispersion and holds the full load without slippage.
- 8 Standard Accessories**
Comes with cable tensioner and roller fairlead as standard.
- 9 Protective Thermal Sensor LED**
Waterproof remote control with thermometric LED indicator alerts when receiving a warning signal from the motor overheated.

Corrosion resistance 720 hrs
Qualified IP 68 (Ingress Protection Rating)

- Walrus winches comply with the requirement and acceptance condition of IEC 60529 Edition 2.1:2001 ingress of protection provided by Enclosure—IP68.
- Meet international standards of CE Machinery Directive 2006/42/EC, CE Electromagnetic Compatibility Directive 2004/108/EC, and SAE J706 surface vehicle standard 2003-08 rev.

DIMENSION mm/in :



Walrus 22.0 / 18.0

22,000 ~ 18,000 LB Defence & Security Winch



Walrus 22.0 **PN 282210** (24V)
(with wire rope, roller fairlead, cable tensioner, remote control)
Walrus 18.0 **PN 281810** (24V)
(with wire rope, roller fairlead, cable tensioner, remote control)

Note: Roller fairlead does not mount to winch

SPECIFICATIONS :

Rated line pull :
Walrus 22.0 : 9,980 kg (22,000 lb) single line
Walrus 18.0 : 8,165 kg (18,000 lb) single line

Motor : series wound w/thermal protection switch
Walrus 22.0 : 5,250 w / 7.0 hp 24V
Walrus 18.0 : 4,474 w / 6.0 hp 24V

Gear train & ratio : 3-stage planetary, 343:1

Clutch (freespooling) : Rotating ring gear

Brake (outside the drum) : Automatic, full load CBS (Cone Brake Structure)

Winch construction : Aluminum die cast housings with steel drum

Drum size :
Walrus 22.0: 102 mm x 254 mm (4" x 10")
Walrus 18.0 : 89 mm x 204 mm (3.5" x 8")

Control : Waterproof remote with thermometric indicator LED w/ 5 m (17') cord

Rope :
Walrus 22.0 : 6 × 29 – IWRC (Breaking strength 126.4 kN), 12.7 mm x 25 m (1/2" x 82')
Walrus 18.0 : 6 × 29 – IWRC (Breaking strength 100.7 kN), 11.1 mm x 27 m (7/16" x 89')

Recommended battery : 650 CCA minimum for winching

Battery lead : 1.8 m (6') 2 gauge battery lead

Mounting bolts pattern :
Walrus 22.0 : 304 mm x 114.3 mm (12" x 4.5"); 304 mm x 165 mm (12" x 6.5")
Walrus 18.0 : 254 mm x 114.3 mm (10" x 4.5"); 254 mm x 165 mm (10" x 6.5")

Mounting : Foot forward mounting only

Winch weight (including rope) :
Walrus 22.0 : 80 kg / 176.4 lb
Walrus 18.0 : 72 kg / 158.7 lb

Gross weight :
Walrus 22.0 : 86.1 kg / 189.8 lb
Walrus 18.0 : 78 kg / 172 lb

Box dimension, (L x D x H) :
Walrus 22.0 : 745 x 275 x 430 mm (29.3" x 10.8" x 16.9")
Walrus 18.0 : 690 x 270 x 405 mm (2.72" x 10.6" x 15.9")

PERFORMANCE DATA :

Line Pull and Rope Capacity

Layer of Rope	Pull by Layer, kg / lb		Total Rope on the Drum, m / ft	
	Walrus 22.0	Walrus 18.0	Walrus 22.0	Walrus 18.0
1 st	9,980 / 22,000	8,165 / 18,000	7.0 / 23	5.6 / 18.3
2 nd	8,171 / 18,014	6,683 / 14,733	15.5 / 50.9	12.4 / 40.6
3 rd	6,917 / 15,249	5,656 / 12,469	25 / 82	20.4 / 67
4 th	-	4,903 / 10,809	-	27 / 89

Line Speed and Amp. Draw (1st layer of rope on the drum)

Line Pull kg / lb	Line Speed, mpm / fpm		Amp. Draw, A	
	Walrus 22.0 24V	Walrus 18.0 24V	Walrus 22.0 24V	Walrus 18.0 24V
No Load	9.0 / 29.5	7.0 / 23	30	35
2,268 / 5,000	3.2 / 10.5	3.5 / 11.5	100	90
4,536 / 10,000	2.5 / 8.2	2.6 / 8.5	160	120
6,804 / 15,000	2.0 / 6.6	2.2 / 7.2	240	170
8,165 / 18,000	-	1.7 / 5.6	-	210
9,980 / 22,000	1.4 / 4.6	-	330	-



AUTOMOTIVE WINCH

COMEUP winches are equipped with a heavy duty motor that delivering superior torque output and faster line speed for severe duty, self-recovery or utility duty Automotive applications. The Automotive winches come with the U.S., Germany, U.K., France, etc patented automatic CBS (Cone Brake Structure) that completely holds in full load and is easily maintained. Explore and experience the quality of COMEUP automotive winches that are the best solution for 4x4 Trucks and SUVs. They give you power whenever and wherever you need it!



- ▶ Limited Lifetime Warranty for Mechanical Components.
- ▶ Limited One (1) Year Warranty for Electrical Components.



Seal Gen2 Series

9,500 - 12,500 - 16,500 lb pulling capacity



• Meet international standards of CE Machinery Directive 2006/42/CE, CE Electromagnetic Compatibility Directive 2004/108/EC, and SAE J706 Surface Vehicle standard 2003-08 rev.

- | | |
|--|--|
| <p>1 Submersible Sealed Contactor
The heavy-duty sealed contactor with silver-alloy contact pads, thick copper buss bars and submersible construction ensures weather resistance. It handles high amps and allows higher duty cycle. The industrial grade contactor is durable, reliable, and high performance.</p> <p>2 Safety Warning Notice
The built-in waterproof receiver in the control box is equipped with a beeping buzzer to indicate motor overheating. (Only for Seal Gen2 9.5rs/ 9.5rs/12.5rs/16.5rs)</p> <p>3 Matte black powder-coated finish
Matte black powder-coated finish on the surfaces allow a deep color expression while also hides the inherent flaws</p> <p>4 Extreme-duty Seals
Extreme-duty water resistance seals on the motor and gearbox housing joints.</p> <p>5 All Sealed High Performance Motor
Heavy duty series wound motor delivers superior torque output and faster line speed. A built-in thermal detector automatically sends a warning signal to the "Remote Control" when motor is over-heated.</p> <p>6 Hardened Steel 3-stage Planetary Gear Train
Rugged and quiet planetary gears for maximum mechanical efficiency</p> <p>7 Automatic, Full Load Cone Brake Structure (CBS)
The U.S., Germany, U.K., France, etc patented brake system automatically endures full load without slipping. With CBS, the greater the load on the rope, the greater amount of braking is generated by the mechanism. Furthermore, the braking mechanism mounted outside the drum rather than inside the drum expedites heat dispersion and also makes this winch ideal for use with synthetic rope.</p> | <p>8 Rapid Rope Payout & Clutch Reposition
An ergonomic T-handle positively engages the free spool clutch through multiple evenly spaced locking holes. The entire clutch can be rotated to reposition the "T" handle in multiple locations, to ease accessibility in various winch mounting positions.</p> <p>9 Protective Thermal Sensor
The industrial grade waterproof remote control comes with a thermometric LED indicator on the hand-held switch that automatically alerts when receiving a warning signal from the motor over-heated.</p> <p>10 Ergonomic Tie Bar
Ergonomic matte black powder-coated aluminum alloy die cast tie bar for better corrosion and erosion resistance.</p> <p>11 Rope Options
Available with either wire rope or lightweight, high strength and no water absorption synthetic rope. Both ropes are equipped with a hook.</p> |
|--|--|



- Seal Gen2 Series Winch
- ▶ Limited Lifetime Warranty for Mechanical Components.
 - ▶ Limited Three (3) years Warranty for Electrical Components.

16,500 LB Electric Winch



Note: Roller/Hawse fairlead does not mount to winch

Seal Gen2 16.5 **PN 295615** (12V) / **PN 295628** (24V)
(with wire rope, roller fairlead, remote control)

Seal Gen2 16.5s **PN 295635** (12V) / **PN 295646** (24V)
(with synthetic rope, hawse fairlead, remote control)
Seal Gen2 16.5rs **PN 295655** (12V) / **PN 295667** (24V)
(with wireless remote control, synthetic rope, hawse fairlead, remote control)

SPECIFICATIONS :

- Rated line pull : 7,484 kg (16,500 lb) single line
- Motor : 4,325 w / 5.8 hp 12V series wound w/thermal protection switch
4,474 w / 6.0 hp 24V series wound w/thermal protection switch
- Gear train & ratio : 3-stage planetary, 343:1
- Clutch (freespooling) : Rotating ring gear
- Brake (outside the drum) : Automatic, full load CBS (Cone Brake Structure)
- Winch construction : Aluminum die cast housings with steel drum
- Drum size : 89 mm x 204 mm (3.5" x 8")
- Control :
Seal Gen2 16.5/16.5s : Waterproof remote with thermometric indicator LED w/5 m (17') cord
Seal Gen2 16.5rs : Both built-in digital signal two ways wireless remote control and waterproof remote with thermometric indicator LED w/5 m (17') cord
- Rope :
Seal Gen2 16.5 : 6 x 29 – IWRC, 11.1 mm x 27.4 m (7/16" x 90')
Seal Gen2 16.5s/16.5rs : Synthetic rope, 12.7 mm x 25 m (1/2" x 82')
- Recommended battery : 650 CCA minimum for winching
- Battery lead : 1.8 m (6') 2 gauge battery lead
- Mounting bolts pattern : 254 mm x 114.3 mm (10" x 4.5")
254 mm x 165 mm (10" x 6.5")
- Mounting : Foot forward mounting only
- Winch weight (including rope) :
Seal Gen2 16.5 : 61 kg / 135 lb
Seal Gen2 16.5s/16.5rs : 48 kg / 106 lb
- Gross weight :
Seal Gen2 16.5 : 76.7 kg / 169 lb
Seal Gen2 16.5s/16.5rs : 60.8 kg / 134 lb
- Box dimension, (L x D x H) : 690 x 270 x 405 mm (27.2" x 10.6" x 15.9")

PERFORMANCE DATA :

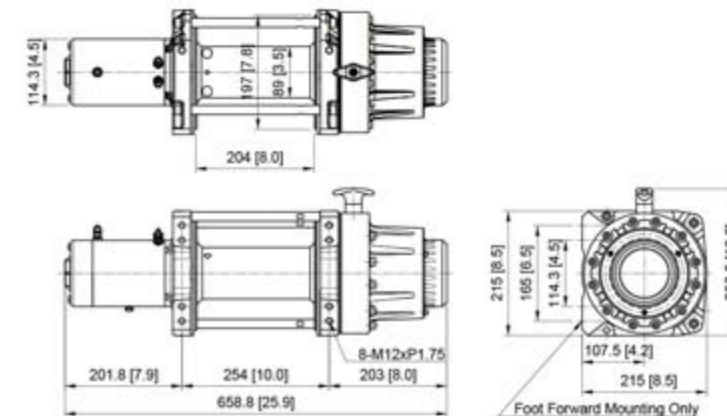
Line Pull and Rope Capacity

Layer of Rope	Pull by Layer, kg / lb	Total Rope on the Drum, m / ft	
		Seal Gen2 16.5	Seal Gen2 16.5s/16.5rs
1 st	7,484 / 16,500	5.6 / 18.4	5.2 / 17.1
2 nd	6,125 / 13,503	12.4 / 40.7	11.6 / 38.1
3 rd	5,184 / 11,429	20.4 / 66.9	19.2 / 63.0
4 th	4,494 / 9,908	27.4 / 90.0	25.0 / 82.0

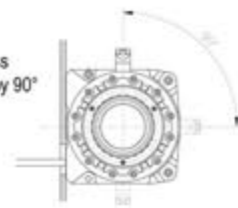
Line Speed and Amp. Draw (1st layer of rope on the drum)

Line Pull kg / lb	Line Speed, mpm / fpm				Amp. Draw, A	
	Seal Gen2 16.5 12V	Seal Gen2 16.5 24V	Seal Gen2 16.5s/16.5rs 12V	Seal Gen2 16.5s/16.5rs 24V	12V	24V
No Load	5.5 / 18	7.5 / 24.7	5.6 / 18.4	7.6 / 24.9	50	25
1,814 / 4,000	2.9 / 9.5	3.1 / 10.2	3.0 / 9.8	3.1 / 10.3	90	90
3,629 / 8,000	2.4 / 7.9	1.9 / 6.3	2.5 / 8.2	1.9 / 6.4	180	150
4,536 / 10,000	1.8 / 5.9	1.6 / 5.1	1.9 / 6.2	1.6 / 5.2	230	200
7,484 / 16,500	1.4 / 4.6	1.4 / 4.6	1.4 / 4.6	1.4 / 4.6	355	245

DIMENSION mm/in :



4 equally positioned pin holes ensure seamless clutch transmission and make it easily rotate by 90° increments. (Seal Gen2 16.5/16.5s/16.5rs)



12,500 LB Electric Winch



Note: Roller/Hawse fairlead does not mount to winch

Seal Gen2 12.5 **PN 295730** (12V)
(with wire rope, roller fairlead, remote control)

Seal Gen2 12.5s **PN 295750** (12V)
(with synthetic rope, hawse fairlead, remote control)
Seal Gen2 12.5rs **PN 295780** (12V)
(with wireless remote control, synthetic rope, hawse fairlead, remote control)

SPECIFICATIONS :

Rated line pull : 5,670 kg (12,500 lb) single line
Motor : 3,730 w / 5.0 hp 12V series wound w/thermal protection switch
Gear train & ratio : 3-stage planetary 225:1
Clutch (freespooling) : Rotating ring gear
Brake (outside the drum) : Automatic, full load CBS (Cone Brake Structure)
Winch construction : Aluminum die cast housings with steel drum
Drum size : 63.5 x 227 mm (2.5" x 8.9")
Control :
Seal Gen2 12.5 / 12.5s : Waterproof remote with thermometric indicator LED w/5 m (17') cord
Seal Gen2 12.5rs : Both built-in digital signal two ways wireless remote control and waterproof remote with thermometric indicator LED w/5 m (17') cord

Rope :
Seal Gen2 12.5 : Galvanized aircraft A7 x 19, 9.5 mm x 25 m (3/8" x 82')
Seal Gen2 12.5s / 12.5rs : Synthetic rope, 11 mm x 25 m (7/16" x 82')
Battery lead : 1.8 m (6') 2 gauge battery lead
Mounting bolts pattern : 254 x 114 mm (10.0" x 4.5")
Mounting : Foot forward mounting only
Winch weight (including rope) :
Seal Gen2 12.5 : 37.7 kg / 83.1 lb
Seal Gen2 12.5s / 12.5rs : 29.8 kg / 65.7 lb
Gross weight :
Seal Gen2 12.5 : 53 kg / 117 lb
Seal Gen2 12.5s / 12.5rs : 40.8 kg / 90 lb
Box dimension : 682 x 209 x 430 mm (26.9" x 8.2" x 16.9")
Remark : * Only foot forward mounting can meet SAE J706

PERFORMANCE DATA :

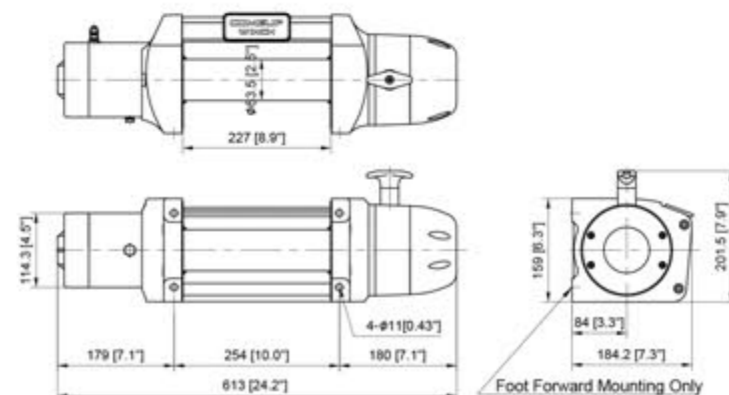
Line Pull and Rope Capacity

Layer of Rope	Pull by Layer, kg / lb	Total Rope on the Drum, m / ft	
		Seal Gen2 12.5	Seal Gen2 12.5s/12.5rs
1 st	5,670 / 12,500	5.4 / 17.7	4.8 / 15.7
2 nd	4,499 / 9,919	12.1 / 39.7	10.9 / 35.7
3 rd	3,729 / 8,221	20.3 / 66.6	18.5 / 60.7
4 th	3,184 / 7,020	25.0 / 82.0	25.0 / 82.0

Line Speed and Amp. Draw (1st layer of rope on the drum)

Line Pull kg / lb	Line Speed, mpm / fpm		Amp. Draw, A 12V
	Seal Gen2 12.5	Seal Gen2 12.5s/12.5rs	
No Load	7.5 / 24.6	7.7 / 25.3	45
907 / 2,000	3.4 / 11.2	3.4 / 11.2	75
1,814 / 4,000	2.5 / 8.2	2.5 / 8.2	160
2,722 / 6,000	2.0 / 6.6	2.0 / 6.6	230
3,629 / 8,000	1.6 / 5.2	1.7 / 5.6	300
5,670 / 12,500	0.9 / 3.0	0.9 / 3.0	470

DIMENSION mm/in :



9,500 LB Electric Winch



Note: Roller/Hawse fairlead does not mount to winch

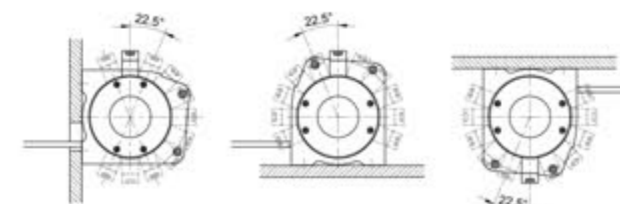
Seal Gen2 9.5 **PN 295950** (12V)
(with wire rope, roller fairlead, remote control)

Seal Gen2 9.5s **PN 295990** (12V)
(with synthetic rope, hawse fairlead, remote control)
Seal Gen2 9.5rs **PN 295850** (12V)
(with wireless remote control, synthetic rope, hawse fairlead, remote control)

SPECIFICATIONS :

Rated line pull : 4,309 kg (9,500 lb) single line
Motor : 3,730 w / 5.0 hp 12V series wound w/thermal protection switch
Gear train & ratio : 3-stage planetary 159:1
Clutch (freespooling) : Rotating ring gear
Brake (outside the drum) : Automatic, full load CBS (Cone Brake Structure)
Winch construction : Aluminum die cast housings with steel drum
Drum size : 63.5 x 227 mm (2.5" x 8.9")
Control :
Seal Gen2 9.5/9.5s : Waterproof remote with thermometric indicator LED w/5 m (17') cord
Seal Gen2 9.5rs : Both built-in digital signal two ways wireless remote control and waterproof remote with thermometric indicator LED w/5 m (17') cord

Rope :
Seal Gen2 9.5 : Galvanized aircraft A7 x 19, 8.7 mm x 30.5 m (11/32" x 100')
Seal Gen2 9.5s / 9.5rs : Synthetic rope, 10 mm x 30 m (3/8" x 100')
Recommended battery : 650 CCA minimum for winching
Battery lead : 1.8 m (6') 2 gauge battery lead
Mounting bolts pattern : 254 x 114 mm (10" x 4.5")
Winch weight (including rope) :
Seal Gen2 9.5 : 36.2 kg / 79.8 lb
Seal Gen2 9.5s / 9.5rs : 28.5 kg / 62.8 lb
Gross weight :
Seal Gen2 9.5 : 51.3 kg / 113 lb
Seal Gen2 9.5s/9.5rs : 40 kg / 88 lb
Box dimension : 682 x 209 x 430 mm (26.9" x 8.2" x 16.9")



16 equally positioned pin holes ensure seamless clutch transmission and make it easily rotate by 22.5° increments. Seal Gen2 9.5/9.5s/9.5rs

PERFORMANCE DATA :

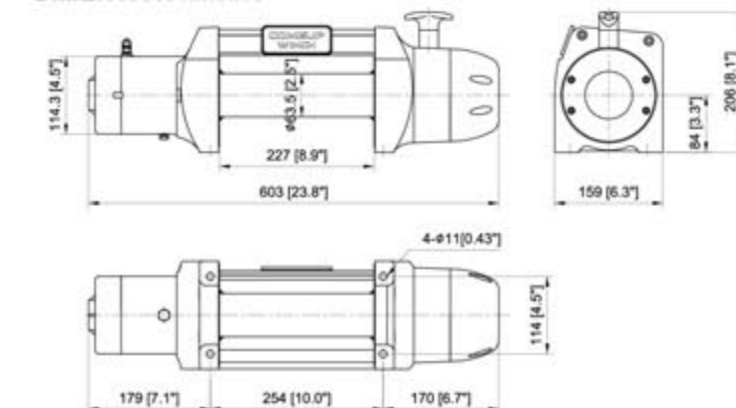
Line Pull and Rope Capacity

Layer of Rope	Pull by Layer, kg / lb	Total Rope on the Drum, m / ft	
		Seal Gen2 9.5	Seal Gen2 9.5s/9.5rs
1 st	4,309 / 9,500	5.8 / 19.1	5.1 / 16.7
2 nd	3,472 / 7,655	13.1 / 42.9	11.7 / 38.4
3 rd	2,908 / 6,410	21.7 / 71.2	19.7 / 64.6
4 th	2,501 / 5,514	30.5 / 100	30.5 / 100

Line Speed and Amp. Draw (1st layer of rope on the drum)

Line Pull kg / lb	Line Speed, mpm / fpm		Amp. Draw, A 12V
	Seal Gen2 9.5	Seal Gen2 9.5s/9.5rs	
No Load	14.5 / 47.6	14.8 / 48.6	60
907 / 2,000	4.7 / 15.2	4.8 / 15.7	115
1,814 / 4,000	3.5 / 11.5	3.6 / 11.8	210
2,722 / 6,000	2.8 / 9.2	2.8 / 9.2	245
3,629 / 8,000	2.3 / 7.6	2.3 / 7.6	280
4,309 / 9,500	2.1 / 6.8	2.2 / 7.2	380

DIMENSION mm/in :



New functions of the bridge control box

Intelligence Dashboard (IDB) - Included On Seal Gen2 9.5i /9.5si/9.5rsi Models



Vehicle Battery Life

The Intelligence Dashboard (IDB) displays the battery condition of your vehicle.



Wireless Remote Control Icon - Seal Gen2 9.5rsi Only



Wireless Signal Icon
The Intelligence Dashboard (IDB) includes a blue wireless signal icon that is continuously illuminated to confirm the wireless remote is paired with the winch.



Wireless Signal Strength
The solid green LED on the wireless transmitter indicates good signal strength, but a flashing red LED indicates a weak signal.

Cable IN/OUT Direction Indicators

The green triangle icons on the Intelligence Dashboard (IDB) will light sequentially to indicate the rope winding direction. The green triangles will turn to red triangles if the motor is over-heating.

Thermal Protection



Temperature Warning
The flashing red temperature icon on the Intelligence Dashboard (IDB) indicates the motor is over-heating.



Handheld Remote Warning
The two green LED indicators on the wired remote control will change to red if the motor is over-heating.



Buzzer Warning
The Seal Gen2 9.5rsi/9.5rsi/12.5rsi/16.5rsi models include an audible buzzer alarm that alerts if the motor is over-heating.

Cutout Switch

- The Seal Gen2 9.5i/9.5si models include a cutout switch to activate or deactivate the winch.
- The cutout switch on the Seal Gen2 9.5rsi model also deactivate the wireless receiver to prevent parasitic draw.



9,500 LB Electric Winch



Note : Roller/Hawse fairlead does not mount to winch

Seal Gen2 9.5i **PN 295980** (12V)
(with wire rope, roller fairlead, remote control)

Seal Gen2 9.5si **PN 295880** (12V)
(with synthetic rope, hawse fairlead, remote control)

Seal Gen2 9.5rsi **PN 295860** (12V)
(with wireless remote control, synthetic rope, hawse fairlead, remote control)

SPECIFICATIONS :

Rated line pull : 4,309 kg (9,500 lb) single line

Motor : 3,730 w / 5.0 hp 12V series wound w/thermal protection switch

Gear train & ratio : 3-stage planetary 159:1

Clutch (freespooling) : Rotating ring gear

Brake (outside the drum) : Automatic, full load CBS (Cone Brake Structure)

Winch construction : Aluminum die cast housings with steel drum

Drum size : 63.5 x 227 mm (2.5" x 8.9")

Control :

Seal Gen2 9.5i/9.5si : Waterproof remote with thermometric indicator LED w/5 m (17') cord

Seal Gen2 9.5rsi : Both built-in digital signal two ways wireless remote control and waterproof remote with thermometric indicator LED w/5 m (17') cord

Rope :

Seal Gen2 9.5i : Galvanized aircraft A7 x 19, 8.7 mm x 30.5 m (11/32" x 100')

Seal Gen2 9.5si / 9.5rsi : Synthetic rope, 10 mm x 30.5 m (3/8" x 100')

Recommended battery : 650 CCA minimum for winching

Battery lead : 1.8 m (6') 2 gauge battery lead

Mounting bolts pattern : 254 x 114 mm (10" x 4.5")

Winch weight (including rope) :

Seal Gen2 9.5i : 38.5 kg / 85 lb

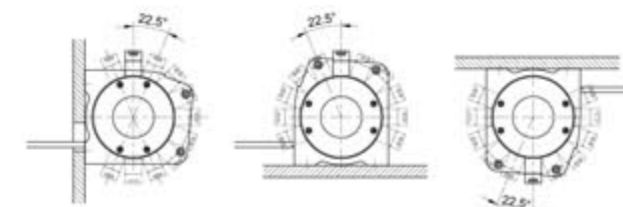
Seal Gen2 9.5si/9.5rsi : 34.5 kg / 76 lb

Gross weight :

Seal Gen2 9.5i : 52.5 kg / 116 lb

Seal Gen2 9.5si/9.5rsi : 40.8 kg / 90 lb

Box dimension : 682 x 209 x 430 mm (26.9" x 8.2" x 16.9")



16 equally positioned pin holes ensure seamless clutch transmission and make it easily rotate by 22.5° increments. (Seal Gen2 9.5i/9.5si/9.5rsi)

PERFORMANCE DATA :

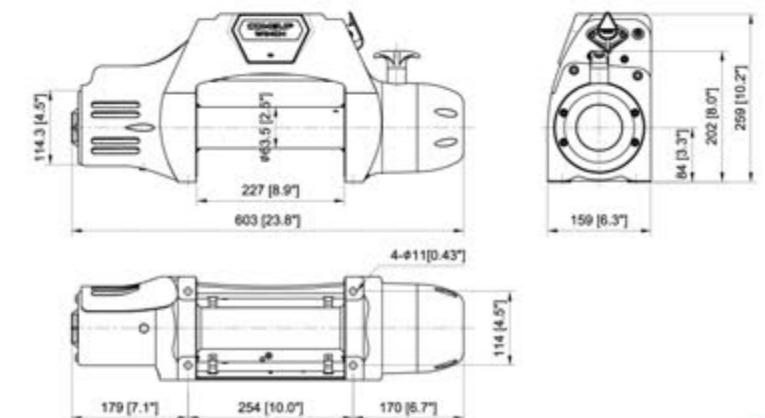
Line Pull and Rope Capacity

Layer of Rope	Pull by Layer, kg / lb	Total Rope on the Drum, m / ft	
		Seal Gen2 9.5i	Seal Gen2 9.5si/9.5rsi
1 st	4,309 / 9,500	5.8 / 19.1	5.1 / 16.7
2 nd	3,472 / 7,655	13.1 / 42.9	11.7 / 38.4
3 rd	2,908 / 6,410	21.7 / 71.2	19.7 / 64.6
4 th	2,501 / 5,514	30.5 / 100	30.5 / 100

Line Speed and Amp. Draw (1st layer of rope on the drum)

Line Pull kg / lb	Line Speed, mpm / fpm		Amp. Draw, A 12V
	Seal Gen2 9.5i	Seal Gen2 9.5si/9.5rsi	
No Load	14.5 / 47.6	14.8 / 48.6	60
907 / 2,000	4.7 / 15.2	4.8 / 15.7	115
1,814 / 4,000	3.5 / 11.5	3.6 / 11.8	210
2,722 / 6,000	2.8 / 9.2	2.8 / 9.2	245
3,629 / 8,000	2.3 / 7.6	2.3 / 7.6	280
4,309 / 9,500	2.1 / 6.8	2.2 / 7.2	380

DIMENSION mm/in :



DV Series

6,000 - 9,000 - 12,000 - 15,000 - 18,000 lb pulling capacity

- ▶ Limited Lifetime Warranty for Mechanical Components.
- ▶ Limited One (1) Year Warranty for Electrical Components.



1 Submersible Sealed Contactor

The heavy-duty sealed contactor with silver-alloy contact pads, thick copper buss bars and submersible construction ensures weather resistant. It handles high amps and allows higher duty cycle. The industrial grade contactor is durable, reliable, and high performance.

2 Extreme Durable Motor

Heavy duty series wound motor delivers superior torque output and faster line speed.

3 Aluminum Alloy Housings

Tough aluminum alloy die cast housings withstand strength of 2 times winch line pull at least.

4 Hardened Steel 3-stage Planetary Gear Train

Rugged and quiet planetary gears for maximum mechanical.

5 Rapid Rope Payout & Clutch Reposition

An ergonomic T-handle positively engages the free spool clutch through multiple evenly spaced locking holes. The entire clutch can be rotated to reposition the "T" handle in multiple locations, to ease accessibility in various winch mounting positions.

6 Automatic, Full Load Cone Brake Structure (CBS)

The U.S. Germany, U.K. France, etc patented brake system automatically endures full load without slipping. With CBS, the greater the load on the rope, the greater amount of braking is generated by the mechanism. Furthermore, the braking mechanism mounted outside the drum rather than inside the drum expedites heat dispersion and also makes this winch ideal for use with synthetic rope.

7 Protective Thermal Sensor LED

The industrial grade waterproof remote control comes with a thermometric LED indicator on the hand-held switch that automatically alerts when receiving a warning signal from the motor over-heated.

• Meet international standards of CE Machinery Directive 2006/42/CE, CE Electromagnetic Compatibility Directive 2004/108/EC, and SAE J706 Surface Vehicle standard 2003-08 rev.

18,000 LB Electric Winch



Note : Roller fairlead does not mount to winch

DV-18 **PN 851823** (12V) / **PN 851838** (24V)
(with wire rope, roller fairlead, remote control)

SPECIFICATIONS :

Rated line pull : 8,181 kg (18,000 lb) single line

Motor : 5,220 w / 7.0 hp 12V series wound w/thermal protection switch
4,474 w / 6.0 hp 24V series wound w/thermal protection switch

Gear train & ratio : 3-stage planetary 315:1

Clutch (freespooling) : Rotating ring gear

Brake (outside the drum) : Automatic, full load CBS (Cone Brake Structure)

Winch construction : Aluminum die cast housings with steel drum

Drum size : 89 x 192 mm (3.5" x 7.6")

Control : Waterproof remote with thermometric indicator LED w/5 m (17') cord

Rope : 6 x 29 -IWRC, 12.7 mm x 25 m (1/2" x 82')

Recommended battery : 650 CCA minimum for winching

Battery lead : 1.8 m (6') 2 gauge battery lead

Mounting bolts pattern : 254 x 114 mm (10" x 4.5")
254 x 165 mm (10" x 6.5")

Mounting : Foot forward mounting only

Winch weight (including rope) : 59 kg / 130 lb

Gross weight : 71 kg / 156.5 lb

Box dimension : 694.2 x 265.2 x 418.4 mm (27.3" x 10.4" x 16.5")



PERFORMANCE DATA :

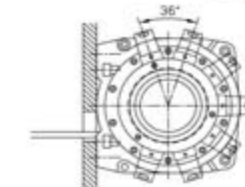
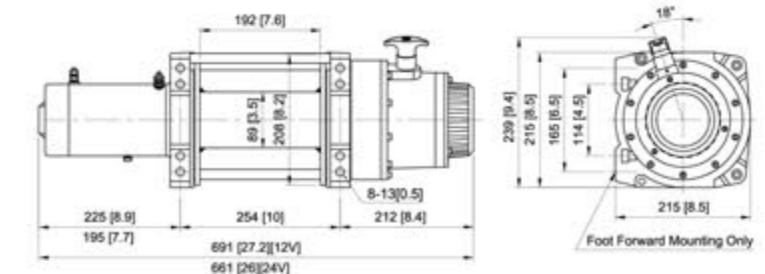
Line Pull and Rope Capacity

Layer of Rope	Pull by Layer, kg / lb	Total Rope on the Drum, m / ft
1 st	8,181 / 18,000	4.7 / 15.4
2 nd	6,546 / 14,431	10.5 / 34.4
3 rd	5,456 / 12,028	17.5 / 57.4
4 th	4,677 / 10,311	25.0 / 82.0

Line Speed and Amp. Draw (1st layer of rope on the drum)

Line Pull kg / lb	Line Speed mpm / fpm	Amp. Draw, A	
		12V	24V
No Load	8.6 / 28.2	35	40
1,814 / 4,000	4.0 / 13.1	115	70
3,630 / 8,000	3.6 / 12.0	200	140
4,535 / 10,000	3.2 / 10.6	230	180
5,443 / 12,000	2.8 / 9.3	260	210
6,804 / 15,000	2.3 / 7.5	320	240
8,181 / 18,000	1.0 / 3.3	350	290

DIMENSION mm/in :



▶ 10 equally positioned pin holes ensure seamless clutch transmission and make it easily rotate by 36° increments.

15,000 - 12,000 LB Electric Winch



Note : Roller fairlead does not mount to winch

DV-15 **PN 857326** (12V) / **PN 857433** (24V)
(with wire rope, roller fairlead, remote control)

SPECIFICATIONS :

Rated line pull :

DV-15 : 6,804 kg (15,000 lb) single line

DV-12 : 5,443 kg (12,000 lb) single line

Motor : 4,180 w / 5.6 hp 12V series wound w/thermal protection switch
2,690 w / 3.6 hp 24V series wound w/thermal protection switch

Gear train & ratio : DV-15 : 3-stage planetary, 315:1
DV-12 : 3-stage planetary, 261:1

Clutch (freespooling) : Rotating ring gear

Brake (outside the drum) : Automatic, full load CBS (Cone Brake Structure)

Winch construction : Aluminum die cast housings with steel drum

Drum size : 89 mm x 206 mm (3.5" x 8.1")

Control : Waterproof remote with thermometric indicator LED w/5 m (17') cord

Rope : DV-15 : 6 x 29 - IWRC, 11.1 mm x 27 m (7/16" x 89')

DV-12 : Galvanized aircraft A7 x 19, 9.5 mm x 38 m (3/8" x 125')

Recommended battery : 650 CCA minimum for winching

Battery lead : 1.8 m (6') gauge battery lead

Mounting bolts pattern :

254 mm x 114 mm (10" x 4.5") ; 254 mm x 165 mm (10" x 6.5")

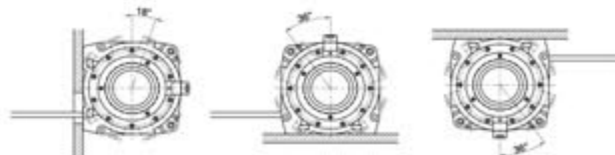
Winch weight (including rope) : DV-15 : 57 kg / 125.4 lb

DV-12 : 55 kg / 121 lb

Gross weight : DV-15 : 69 kg / 152 lb

DV-12 : 67 kg / 147.7 lb

Box dimension, (L x D x H) : 694 x 265.2 x 418.4 mm (27.3" x 10.4" x 16.5")



10 equally positioned pin holes ensure seamless clutch transmission and make it easily rotate by 36° increments. (DV-15/12)

PERFORMANCE DATA :

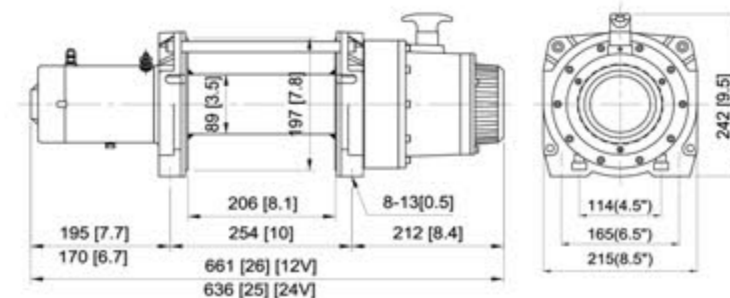
Line Pull and Rope Capacity

Layer of Rope	Pull by Layer, Total Rope on the Drum, m / ft		Pull by Layer, Total Rope on the Drum, m / ft	
	DV-15		DV-12	
1 st	6,804 / 15,000	5.7 / 18.6	5,443 / 12,000	6.6 / 21.5
2 nd	5,569 / 12,277	12.6 / 41.4	4,563 / 10,060	14.4 / 47.2
3 rd	4,713 / 10,391	20.8 / 68.3	3,928 / 8,659	23.5 / 77
4 th	4,086 / 9,007	27 / 89	3,448 / 7,601	33.8 / 110.9
5 th	-	-	3,072 / 6,774	38 / 125

Line Speed and Amp. Draw (1st layer of wire rope on the drum)

Line Pull kg / lb	Line Speed, mpm / fpm		Amp. Draw, A	
	DV-15	DV-12	DV-15	DV-12
No Load	6.9 / 22.0	8.3 / 27	60	50
1,814 / 4,000	1.6 / 5.4	2.6 / 8.6	180	80
3,629 / 8,000	1.2 / 3.8	1.7 / 5.8	280	190
4,536 / 10,000	1.0 / 3.3	1.4 / 4.4	330	220
5,443 / 12,000	0.9 / 2.9	1.2 / 4.0	385	260
6,804 / 15,000	0.8 / 2.5	-	460	340

DIMENSION mm/in : (DV-15/12)



12,000 LB Electric Winch



Note : Roller/Hawse fairlead does not mount to winch

DV-12 light **PN 850012** (12V) / **PN 850124** (24V)
(with wire rope, roller fairlead, remote control)

SPECIFICATIONS :

Rated line pull : 5,443 kg (12,000 lb) single line

Motor : 3,430 w / 4.6 hp 12V series wound w/thermal protection switch
1,940 w / 2.6 hp 24V series wound w/thermal protection switch

Gear train & ratio : 3-stage planetary 211:1

Clutch (freespooling) : Rotating ring gear

Brake (outside the drum) : Automatic, full load CBS (Cone Brake Structure)

Winch construction : Aluminum die cast housings with steel drum

Drum size : 63.5 x 227 mm (2.5" x 8.9")

Control : Waterproof remote with thermometric indicator LED w/5 m (17') cord

Rope : DV-12 light : Galvanized aircraft A7 x 19, 9.5 mm x 25 m (3/8" x 82')

DV-12s light : Synthetic rope, 11 mm x 25 m (7/16" x 82')

Recommended battery : 650 CCA minimum for winching

Battery lead : 1.8 m (6') 2 gauge battery lead

Mounting bolts pattern : 254 x 114 mm (10" x 4.5")

Mounting : Foot forward mounting only

Winch weight (including rope) : DV-12 light : 39 kg / 86 lb

DV-12s light : 30 kg / 66.1 lb

Gross weight : DV-12 light : 49 kg / 108 lb

DV-12s light : 36 kg / 79.4 lb

Box dimension : 650 x 195 x 415 mm (25.6" x 7.7" x 16.3")

Remark : * Only foot forward mounting can meet SAE J706



PERFORMANCE DATA :

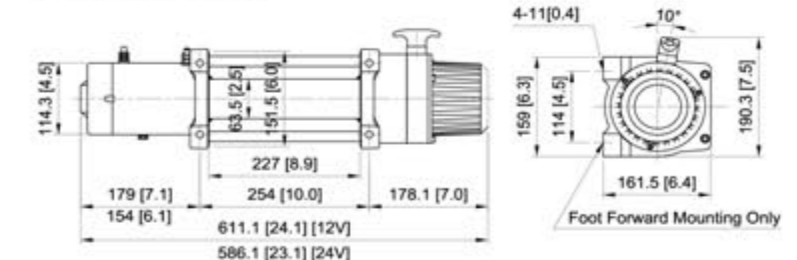
Line Pull and Rope Capacity

Layer of Rope	Pull by Layer, kg / lb	Total Rope on the Drum, m / ft	
		DV-12 light	DV-12s light
1 st	5,443 / 12,000	5.4 / 17.7	4.7 / 15.5
2 nd	4,319 / 9,522	12.2 / 40.0	10.8 / 35.5
3 rd	3,580 / 7,893	20.5 / 67.3	18.3 / 60.1
4 th	3,056 / 6,737	25.0 / 82.0	25.0 / 82.0

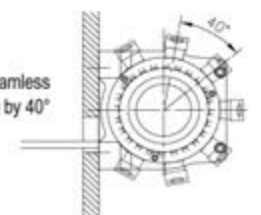
Line Speed and Amp. Draw (1st layer of rope on the drum)

Line Pull kg / lb	Line Speed, mpm / fpm		Amp. Draw, A	
	DV-12 light	DV-12s light	12V	24V
No Load	8.0 / 26.2	8.2 / 26.9	50	30
1,814 / 4,000	3.0 / 9.8	3.1 / 10.2	120	70
3,629 / 8,000	1.5 / 5.0	1.6 / 5.1	230	140
4,536 / 10,000	1.2 / 4.0	1.2 / 4.0	290	180
5,443 / 12,000	1.0 / 3.3	1.0 / 3.3	350	210

DIMENSION mm/in :



9 equally positioned pin holes ensure seamless clutch transmission and make it easily rotate by 40° increments. (DV-12 light/12s light)



9,000 LB Electric Winch

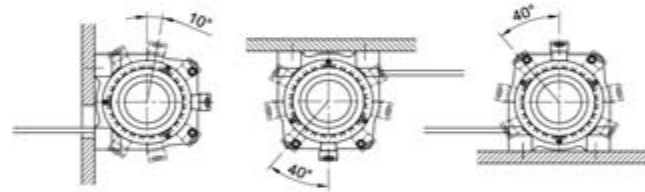


Note : Roller/Hawse fairlead does not mount to winch

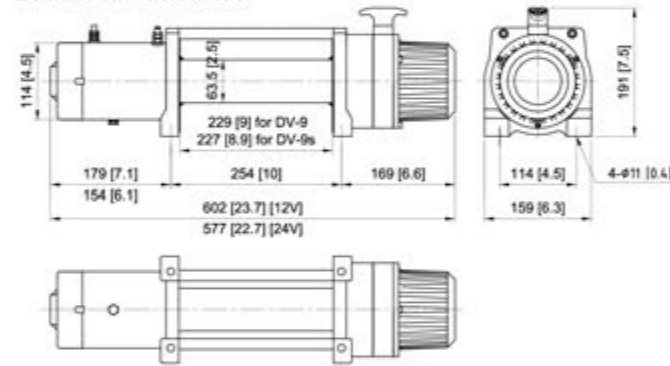
DV-9s **PN 859252** (12V) / **PN 859262** (24V)
(with synthetic rope, hawse fairlead, remote control)

DV-9 **PN 856329** (12V) / **PN 856355** (24V)
(with wire rope, roller fairlead, remote control)

9 equally positioned pin holes ensure seamless clutch transmission and make it easily rotate by 40° increments. (DV-9i/9si/9/9s)



DIMENSION mm/in :



9,000 LB Electric Winch



Note : Roller/Hawse fairlead does not mount to winch

DV-9si **PN 859038** (12V) / **PN 859055** (24V)
(with synthetic rope, hawse fairlead, remote control)

DV-9i **PN 856360** (12V) / **PN 856388** (24V)
(with wire rope, roller fairlead, remote control)

SPECIFICATIONS :

Rated line pull : 4,082 kg (9,000 lb) single line

Motor :

3,430 w / 4.6 hp 12V series wound w/thermal protection switch
1,940 w / 2.6 hp 24V series wound w/thermal protection switch

Gear train & ratio : 3-stage planetary 156:1

Clutch (freespooling) : Rotating ring gear

Brake (outside the drum) : Automatic, full load CBS (Cone Brake Structure)

Winch construction : Aluminum die cast housings with steel drum

Drum size :

DV-9i/9i : 63.5 x 229 mm (2.5" x 9")

DV-9s/9si : 63.5 x 227 mm (2.5" x 8.9")

Control : Waterproof remote with thermometric indicator LED w/5 m (17') cord

Rope :

DV-9i/9i : Galvanized aircraft A7 x 19, 8.3 mm x 30.5 m (21/64" x 100')

DV-9s/9si : Synthetic rope, 10 mm x 30.5 m (3/8" x 100')

Recommended battery : 650 CCA minimum for winching

Battery lead : 1.8 m (6') 2 gauge battery lead

Mounting bolts pattern : 254 x 114 mm (10" x 4.5")

Winch weight (including rope) :

DV-9 : 33 kg / 72.8 lb ; DV-9s : 27 kg / 59.5 lb

DV-9i : 37 kg / 81.6 lb ; DV-9si : 31 kg / 68.3 lb

Gross weight :

DV-9 : 43 kg / 94.8 lb ; DV-9s : 33 kg / 72.8 lb

DV-9i : 44 kg / 97 lb ; DV-9si : 37 kg / 81.6 lb

Box dimension : 650 x 195 x 415 mm (25.6" x 7.7" x 16.3")

PERFORMANCE DATA :

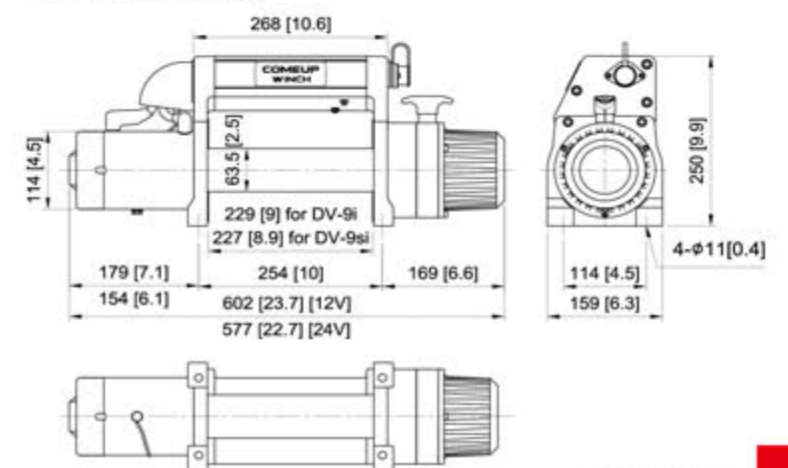
Line Pull and Rope Capacity

Layer of Rope	Pull by Layer, kg / lb	Total Rope on the Drum, m / ft	
		DV-9i/9i	DV-9s/9si
1 st	4,082 / 9,000	6.1 / 20.0	5.5 / 18.1
2 nd	3,316 / 7,310	13.6 / 44.7	12.5 / 41.0
3 rd	2,792 / 6,154	22.6 / 74.0	20.9 / 68.6
4 th	2,410 / 5,314	30.5 / 100	30.5 / 100

Line Speed and Amp. Draw (1st layer of rope on the drum)

Line Pull kg / lb	Line Speed, mpm / fpm		Amp. Draw, A	
	DV-9i/9i	DV-9s/9si	12V	24V
No Load	13 / 42.7	13.2 / 43.3	55	30
907 / 2,000	4.6 / 15.0	4.7 / 15.3	110	65
1,814 / 4,000	3.4 / 11.0	3.4 / 11.2	200	100
2,722 / 6,000	2.7 / 9.0	2.8 / 9.1	230	130
3,629 / 8,000	2.3 / 7.5	2.3 / 7.6	260	170
4,082 / 9,000	2.0 / 6.4	2.0 / 6.5	350	210

DIMENSION mm/in :



6,000 LB Electric Winch



Note : Roller/Hawse fairlead does not mount to winch

DV-6s PN 854752 (12V) Std. drum
(with synthetic rope, hawse fairlead, remote control)

DV-6 PN 854750 (12V) Std drum / PN 854760 (12V) Long drum
(with wire rope, roller fairlead, remote control)

SPECIFICATIONS :

Rated line pull : 2,722 kg (6,000 lb) single line
Motor : 2,390 w / 3.2 hp 12V series wound
Gear train & ratio : 3-stage planetary 216:1
Clutch (freespooling) : Rotating ring gear
Brake (outside the drum) : Automatic, full load CBS (Cone Brake Structure)
Winch construction : Aluminum die cast housings and strong steel drum
Drum size :
 DV-6 Std. drum/6s : 63.5 x 125.5 mm (2.5" x 4.9")
 DV-6 Long drum : 63.5 x 227 mm (2.5" x 8.9")
Control : Waterproof remote w/5 m (17') cord
Rope :
 DV-6 Std. drum : Galvanized aircraft A7 x 19, 7.1 mm x 24.4 m (9/32" x 80')
 DV-6 Long drum : Galvanized aircraft A7 x 19, 7.1 mm x 30.5 m (9/32" x 100')
 DV-6s : Synthetic rope, 8 mm x 24.4 m (5/16" x 80')
Recommended battery : 650 CCA minimum for winching
Battery lead : 1.8 m (6') 6 gauge battery lead
Mounting bolts pattern :
 DV-6 Std. drum/6s : 152.4 mm x 114 mm (6" x 4.5")
 DV-6 Long drum : 254 mm x 114 mm (10" x 4.5")
Winch weight (including rope) :
 DV-6 Std. drum : 22.8 kg / 50.3 lb
 DV-6 Long drum : 25.2 kg / 55.6 lb
 DV-6s : 19 kg / 41.9 lb
Gross weight :
 DV-6 Std. drum : 28.4 kg / 62.6 lb
 DV-6 Long drum : 32.8 kg / 72.3 lb
 DV-6s : 21.6 kg / 47.6 lb
Box dimension :
 DV-6 Std. drum/6s : 505 x 210 x 340 mm (19.9" x 8.3" x 13.4")
 DV-6 Long drum : 672 x 210 x 390 mm (26.5" x 8.3" x 15.4")

PERFORMANCE DATA :

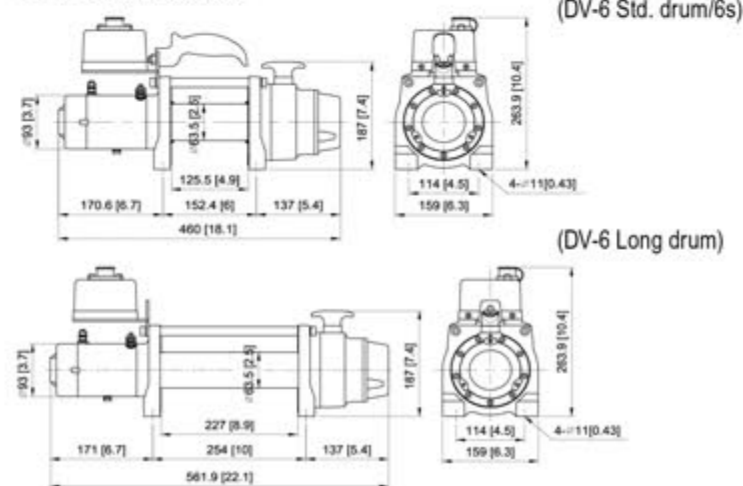
Line Pull and Rope Capacity

Layer of Rope	Pull by Layer, kg / lb	Total Rope on the Drum, m / ft		
		Std. drum DV-6	6s	Long drum DV-6
1 st	2,722 / 6,000	3.8 / 12.5	3.5 / 11.3	7 / 22.9
2 nd	2,266 / 4,995	8.4 / 27.5	7.7 / 25.2	15.4 / 50.4
3 rd	1,941 / 4,279	13.7 / 45	12.6 / 41.5	25.2 / 82.5
4 th	1,697 / 3,742	19.8 / 65.1	18.4 / 60.3	30.5 / 100
5 th	1,508 / 3,325	24.4 / 80	24.4 / 80	-

Line Speed and Amp. Draw (1st layer of wire rope on the drum)

Line Pull kg / lb	Line Speed, mpm / fpm		Amp. Draw, A 12V
	DV-6	DV-6s	
No Load	8.0 / 26.2	8.1 / 26.5	60
907 / 2,000	5.2 / 17	5.3 / 17.3	150
1,814 / 4,000	3.1 / 10.2	3.1 / 10.3	240
2,722 / 6,000	2.0 / 6.5	2.0 / 6.6	300

DIMENSION mm/in :



6,000 LB Portable Winch



Note : Hawse fairlead does not mount to winch

DV-6s carry on PN 854765 (12V)
(with synthetic rope, hawse fairlead, remote control, 2" hitch receiver)

SPECIFICATIONS :

Rated line pull : 2,722 kg (6,000 lb) single line
Motor : 2,390 w / 3.2 hp 12V series wound
Gear train & ratio : 3-stage planetary 216:1
Clutch (freespooling) : Rotating ring gear
Brake (outside the drum) : Automatic, full load CBS (Cone Brake Structure)
Winch construction : Aluminum die cast housings and strong steel drum
Drum size : 63.5 x 125.5 mm (2.5" x 4.9")
Control : Waterproof remote w/5 m (17') cord
Rope : Synthetic rope, 8 mm x 24.4 m (5/16" x 80')
Recommended battery : 650 CCA minimum for winching
Battery lead : 1.8 m (6') 6 gauge battery lead
Mounting bolts pattern : 152.4 mm x 114 mm (6" x 4.5")
Winch weight (including rope) : 22.8 kg / 50.3 lb
Gross weight : 27.4 kg / 60.4 lb
Box dimension : 515 x 285 x 345 mm (20.3" x 11.2" x 13.6")

PERFORMANCE DATA :

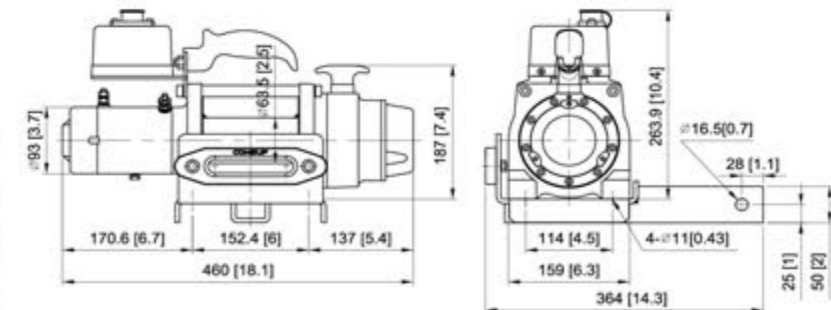
Line Pull and Rope Capacity

Layer of Rope	Pull by Layer, kg / lb	Total Rope on the Drum, m / ft
1 st	2,722 / 6,000	3.5 / 11.3
2 nd	2,266 / 4,995	7.7 / 25.2
3 rd	1,941 / 4,279	12.6 / 41.5
4 th	1,697 / 3,742	18.4 / 60.3
5 th	1,508 / 3,325	24.4 / 80

Line Speed and Amp. Draw (1st layer of rope on the drum)

Line Pull kg / lb	Line Speed mpm / fpm	Amp. Draw, A 12V
No Load	8.1 / 26.5	60
907 / 2,000	5.3 / 17.3	150
1,814 / 4,000	3.1 / 10.3	240
2,722 / 6,000	2.0 / 6.6	300

DIMENSION mm/in :



STANDARD ACCESSORIES:

- Synthetic rope
- Remote control w/5 m (17') cord
- Hawse fairlead
- Mounting hardware
- Control box w/handle
- 2" hitch receiver
- Quick connector wiring kit
- Handsaver strap

BLAZER



- 8 Tough aluminum alloy die cast housing withstands a minimum force twice the rated line pull
- 9 Polished aluminum hawse fairlead designed to guide the synthetic rope out from and onto the winch drum
- 10 Air free-spool control for rapid synthetic rope payout (operation pressure: 60~120 psi/4.1~8.3 bar)
- 11 Laser engraved Blazer badge



- 1 Dual 7.0 hp motors w/thermal protection switch provide ultimate power and 50 mpm speed
- 2 Ratchet brake outside the drum expedites heat dispersion and is ideal for synthetic rope
- 3 Personalized laser engraved driver nameplate
- 4 Rugged 3 stage gear train and upright housing
- 5 Steel cover protects the motors and contactors from damage
- 6 Long drum (63.5 mm x 290 mm) accommodates 46 meters of 11 mm synthetic rope
- 7 Dual sealed contactors w/silver-alloy contact pads and thick copper buss can handle high amps at high duty cycles



8,000 LB Twin Motor Winch with 50mpm line speed



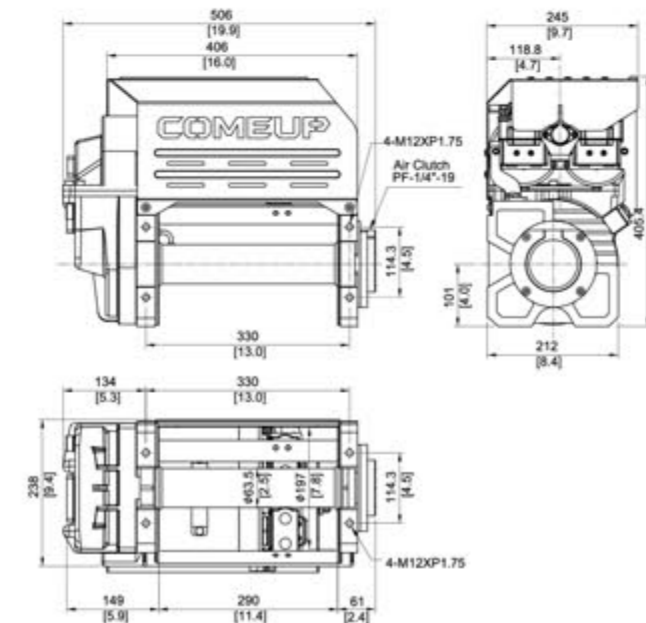
Note : Hawse fairlead does not mount to winch

Blazer PN 855800 (12V)
(with hawse fairlead, remote control)

SPECIFICATIONS :

Rated line pull : 3,630 kg (8,000 lb) single line
 Motor : 5,250 w / 7.0 hp 12V series wound x 2 pcs
 Gear train & ratio : 3-stage spur gear train, 33.5:1
 Clutch (freespooling) : Air free-spooling
 Brake (outside the drum) : Ratchet brake hold full load without slippage
 Winch construction : Aluminum die cast housings with steel drum
 Drum size : 63.5 x 197 x 290 mm (2.5" x 7.8" x 11.4")
 Control : Waterproof remote with thermometric indicator LED w/5 m (17') cord
 Rope recommended : Synthetic rope, 11 mm x 46 m (7/16" x 151')
 Recommended battery : 650 CCA minimum for winching
 Battery lead : 1.8 m (6') 2/0 gauge battery lead
 Mounting bolts pattern : 330 mm x 114.3 mm (13" x 4.5")
 Winch weight (including rope) : 61 kg / 135 lb
 Gross weight : 86 kg / 190 lb
 Box dimension, (L x D x H) : 670 x 390 x 620 mm (26.4" x 15" x 24.4")

DIMENSION mm/in :



PERFORMANCE DATA :

Line Pull and Rope Capacity

Layer of Rope	Pull by Layer, kg / lb	Total Rope on the Drum, m / ft
1 st	3,630 / 8,000	5.7 / 18.7
2 nd	2,802 / 6,177	13.2 / 43.3
3 rd	2,282 / 5,031	22.3 / 73.2
4 th	1,925 / 4,244	33.2 / 108.9
5 th	1,664 / 3,669	46 / 151

Line Speed and Amp. Draw (1st layer of rope on the drum)

Line Pull kg / lb	Line Speed, mpm / fpm	Amp. Draw, A 12V
No Load	50 / 164	96
910 / 2,000	13.9 / 45.6	310
1,810 / 4,000	7.0 / 22.9	500
2,720 / 6,000	4.0 / 13.1	610
3,630 / 8,000	1.6 / 5.2	820

STANDARD ACCESSORIES:

- Remote control w/5 m (17') cord
- Air free-spool clutch fitting
- Hawse fairlead
- Dual sealed contactors
- 1.8 m (6') 2/0 gauge battery lead

OPTION ACCESSORIES :

- Synthetic rope 11 mm x 46 m
- Sling hook



MadX

OUR FASTEST PLANETARY GEAR WINCH
When your race motor can't get traction to the ground,
You need another high speed motor to pull you back on track.



8,000 LB Extreme Racing Winch with 25mpm Line Speed



Note : Hawse fairlead does not mount to winch

Seal MadX 8.0s **PN 296065** (12V) 10" Long Drum
(with synthetic rope, hawse fairlead, remote control)

SPECIFICATIONS :

- Rated line pull : 3,630 kg (8,000 lb) single line
- Motor : 5,250 w / 7.0 hp 12V series wound
- Gear train & ratio : 3-stage planetary, 67:1
- Clutch (freespooling) : Rotating ring gear
- Brake (outside the drum) : Automatic, full load cone brake
- Winch construction : Aluminum die cast housings with steel drum
- Drum size : 63.5 x 227 mm (2.5" x 8.9")
- Control : Waterproof remote with thermometric indicator LED w/5 m (17') cord
- Rope : Synthetic rope, 10 mm x 30.5 m (3/8" x 100')
- Recommended battery : 650 CCA minimum for winching
- Battery lead : 1.8 m (6') 2 gauge battery lead
- Mounting bolts pattern : 254 mm x 114 mm (10" x 4.5')
- Winch weight (including rope) : 28 kg / 61.7 lb
- Gross weight : 40.5 kg / 89.1 lb
- Box dimension, (L x D x H) : 712 x 209 x 430 mm (28" x 8.2" x 16.9")

PERFORMANCE DATA :

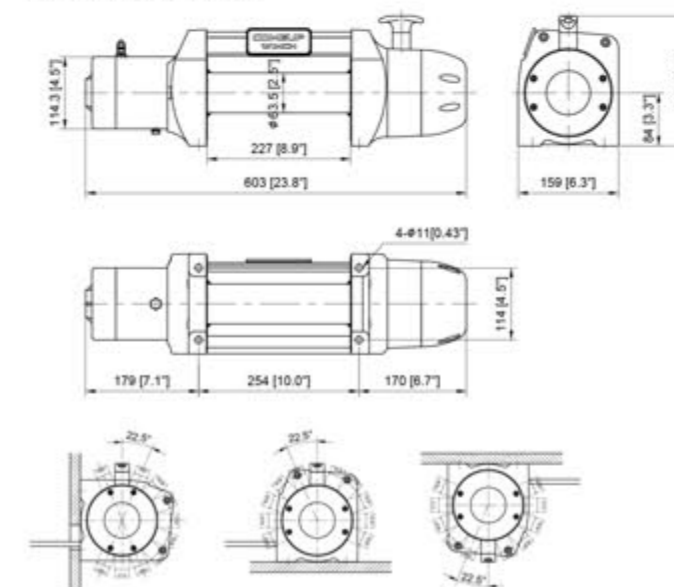
Line Pull and Rope Capacity

Layer of Rope	Pull by Layer, kg / lb	Total Rope on the Drum, m / ft
1 st	3,630 / 8,000	5.8 / 19.1
2 nd	2,924 / 6,446	13.1 / 42.9
3 rd	2,449 / 5,399	21.7 / 71.2
4 th	2,106 / 4,643	30.5 / 100

Line Speed and Amp. Draw (1st layer of rope on the drum)

Line Pull kg / lb	Line Speed, mpm / fpm	Amp. Draw, A 12V
No Load	25 / 82	45
907 / 2,000	10.8 / 35.4	125
1,814 / 4,000	8.5 / 27.9	249
2,722 / 6,000	4.1 / 13.5	378
3,630 / 8,000	1.0 / 3.3	500

DIMENSION mm/in :



16 equally positioned pin holes ensure seamless clutch transmission and make it easily rotate by 22.5° increments.



9,000 LB Rock Crawling Winch



Note : Hawse fairlead does not mount to winch

Cap 9.0s **PN 859312** (12V)
(with synthetic rope, hawse fairlead, remote control)

SPECIFICATIONS :

- Rated line pull : 4,082 kg (9,000 lb) single line
- Motor : 3,430 w / 4.6 hp 12V series wound with thermal protection switch
- Gear train & ratio : 3-stage planetary 156:1
- Clutch (freespooling) : Rotating ring gear for manual rope unwinding
- Brake (outside the drum) : Automatic, full load CBS (Cone Brake Structure)
- Winch construction : Aluminum die cast housings with steel drum
- Drum size : 63.5 x 125 mm (2.5" x 4.9")
- Control : Waterproof remote with thermometric indicator LED w/5 m (17') cord
- Rope : Synthetic rope, 10 mm x 15.2 m (3/8" x 50')
- Recommended battery : 650 CCA minimum for winching
- Battery lead : 1.8 m (6') 2 gauge battery lead
- Mounting bolts pattern : 152 x 114 mm (6" x 4.5")
- Winch weight (including rope) : 24.5 kg / 54 lb
- Gross weight : 34.3 kg / 75.6 lb
- Box dimension : 550 x 195 x 425 mm (21.7" x 7.7" x 16.7")

PERFORMANCE DATA :

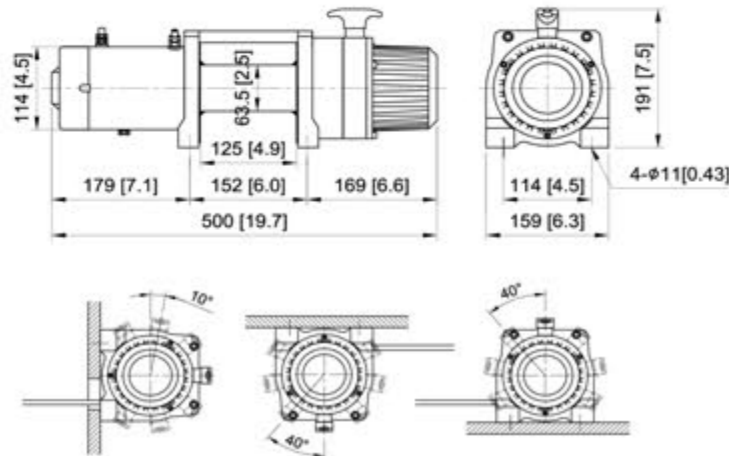
Line Pull and Rope Capacity

Layer of Rope	Pull by Layer, kg / lb	Total Rope on the Drum, m / ft
1 st	4,082 / 9,000	2.9 / 9.5
2 nd	3,270 / 7,209	6.6 / 21.7
3 rd	2,728 / 6,014	11 / 36.1
4 th	2,340 / 5,158	15.2 / 50

Line Speed and Amp. Draw (1st layer of rope on the drum)

Line Pull kg / lb	Line Speed, mpm / fpm	Amp. Draw, A 12V
No Load	13.7 / 45	55
907 / 2,000	4.7 / 15	110
1,814 / 4,000	3.5 / 11.5	200
2,722 / 6,000	2.7 / 9	230
3,629 / 8,000	2.4 / 7.8	260
4,082 / 9,000	2.1 / 6.8	350

DIMENSION mm/in :



9 equally positioned pin holes ensure seamless clutch transmission and make it easily rotate by 40° increments.

UTILITY DUTY WINCH

The Utility Duty winch series are designed to be a flexible tool for loading trailers or moving various vehicles or even boats into position. COMEUP winch provide line pull of 2,500 - 5,000 lb rating with power-out device for rapid wire rope payout. They are dexterous, easy-to-install and high torque permanent magnet motor delivers high line pull at lower amp draw. Dual brakes of automatic load-holding mechanical brake and motor dynamic brake features strength and reliability.

- Power in and Power out.
- High torque permanent magnet motor enables high line pull at lower amp and slip free dynamic brake.
- 3-stage planetary gearbox delivers the most reliable and durable performance of winch under the most rugged conditions.
- Sliding pin and ring gear clutch for rapid wire rope payout.
- Automatic load-holding mechanical brake plus motor dynamic brake ensure holding the load without slippage.
- Compact and light weight allows a wide range of application on trailers and boats.
- With circuit breakers to prevent motor overheating.
- Integrated solenoid pack for better protection of wirings.
- Standard Compliance:
CE Machinery Directive 2006/42/EC
CE Electromagnetic Compatibility Directive 2004/108/EC



- ▶ Limited Lifetime Warranty for Mechanical Components.
- ▶ Limited One (1) Year Warranty for Electrical Components.

5,000 LB Utility Duty Winch



Utility Winch 5000si **PN 645010** (12V)
(with wireless remote control, synthetic rope, hawse fairlead)

SPECIFICATIONS :

- Rated line pull :** 2,268 kg (5,000 lb) single line
- Motor :** 1,200 w / 1.6 hp, 12V permanent magnet
- Gear train & ratio :** 3-stage planetary, 170:1
- Clutch (freespooling) :** Sliding ramping
- Brake :** Mechanical spring applied brake plus permanent magnet motor dynamic brakes
- Drum size :** 54 x 83 mm (2.1" x 3.3")
- Control :** Wireless remote control and on board rocker switch control
- Rope :** Synthetic rope , 6.3 mm x 15.2 m (1/4" x 50')
- Recommended battery :** 650 CCA minimum for winching
- Battery lead :** 1.5 m (5') 6 gauge battery lead
- Mounting bolts pattern :** 72 x 93 mm (2.8" x 3.7")
- Winch weight (including rope) :** 12.7 kg / 28 lb
- Gross weight :** 16.7 kg / 36.8 lb
- Box dimension, (L x D x H) :** 462 x 271 x 185 mm (18.2" x 10.7" x 7.3")

Intelligence Dashboard (IDB) :

- Vehicle Battery Life**
The Intelligence Dashboard (IDB) displays the battery condition of your vehicle.
- Cable IN/OUT Rocker Switch**
Directly control cable IN/OUT on winch panel.
- Cutout Switch**
To activate or deactivate the winch and also deactivate the wireless receiver to prevent parasitic draw.
- Wireless Signal Strength**
The solid green LED on the wireless transmitter indicates good signal strength, but a flashing red LED indicates a weak signal.
- Wireless Signal Icon**
The Intelligence Dashboard (IDB) includes a blue wireless signal icon that is continuously illuminated to confirm the wireless remote is paired with the winch.



Convenient storage pocket for Transmitter

PERFORMANCE DATA :

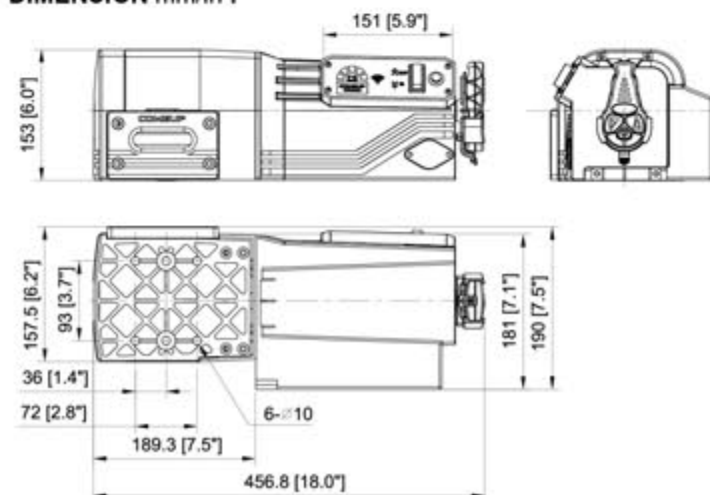
Line Pull and Rope Capacity

Layer of Rope	Pull by Layer, kg / lb	Total Rope on the Drum, m / ft
1 st	2,268 / 5,000	2.4 / 7.9
2 nd	1,876 / 4,136	5.3 / 17.4
3 rd	1,600 / 3,527	8.7 / 28.6
4 th	1,394 / 3,073	12.6 / 41.4
5 th	1,235 / 2,722	15.2 / 50

Line Speed and Amp. Draw (1st layer of rope on the drum)

Line Pull kg / lb	Line Speed, mpm / fpm	Amp. Draw, A 12V
No Load	6.0 / 20.0	25
454 / 1,000	5 / 16.4	110
907 / 2,000	3.6 / 11.8	210
1,361 / 3,000	2.5 / 8.2	270
1,814 / 4,000	1.4 / 4.6	310
2,268 / 5,000	0.6 / 2.0	390

DIMENSION mm/in :



4,500 - 3,500 - 2,500 LB Utility Duty Winch



DV-4500i **PN 641656** (12V) | **PN 642037** (24V)
DV-3500i **PN 641101** (12V) | **PN 641371** (24V)
DV-2500i **PN 640333** (12V) | **PN 640614** (24V)

SPECIFICATIONS :

- Rated line pull :**
 - DV-4500i : 2,041 kg (4,500 lb) single line
 - DV-3500i : 1,588 kg (3,500 lb) single line
 - DV-2500i : 1,134 kg (2,500 lb) single line
- Motor :**
 - DV-4500i : 1,200 w / 1.6 hp, 12V / 24V permanent magnet
 - DV-3500i : 900 w / 1.2 hp, 12V / 24V permanent magnet
 - DV-2500i : 600 w / 0.8 hp, 12V / 24V permanent magnet
- Gear train & ratio :** 3-stage planetary 170:1
- Clutch (freespooling) :** Sliding ramping
- Brake :** Mechanical spring applied and permanent magnet motor dynamic brakes together
- Drum size :** 54 x 83 mm (2.1" x 3.3")
- Control :** Handheld pendant switch remote control

PERFORMANCE DATA :

Line Pull and Rope Capacity

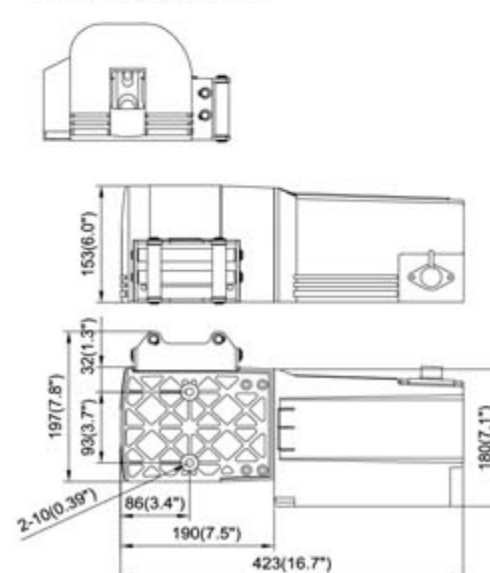
Model Number	DV-4500i		DV-3500i		DV-2500i	
	Pull by Layer, kg / lb	Total Rope on the Drum, m / ft	Pull by Layer, kg / lb	Total Rope on the Drum, m / ft	Pull by Layer, kg / lb	Total Rope on the Drum, m / ft
1 st	2,041 / 4,500	2.4 / 7.9	1,588 / 3,500	2.7 / 8.9	1,134 / 2,500	3.1 / 10.2
2 nd	1,688 / 3,722	5.3 / 17.4	1,340 / 2,954	6.0 / 19.6	975 / 2,149	6.7 / 22.0
3 rd	1,440 / 3,174	8.7 / 28.6	1,159 / 2,555	9.7 / 31.8	855 / 1,885	10.8 / 35.5
4 th	1,255 / 2,766	12.6 / 41.4	1,021 / 2,251	13.9 / 45.7	761 / 1,678	15.2 / 50
5 th	1,112 / 2,451	15.2 / 50	913 / 2,012	15.2 / 50	-	-

Line Speed and Amp. Draw (1st layer of rope on the drum)

Model Number	DV-4500i		DV-3500i		DV-2500i				
	Line Pull kg / lb	Line Speed mpm / fpm	Amp. Draw, A 12V	Amp. Draw, A 24V	Line Speed mpm / fpm	Amp. Draw, A 12V	Amp. Draw, A 24V		
No Load	6.5 / 21.3	25	10	6.5 / 21.3	25	10	5.0 / 16.4	30	10
454 / 1,000	5.0 / 16.4	110	55	5.0 / 16.4	110	55	3.5 / 11.0	80	55
907 / 2,000	3.6 / 11.8	210	95	3.6 / 11.8	200	100	2.3 / 7.5	150	115
1,134 / 2,500	3.2 / 10.5	240	110	3.2 / 10.5	230	115	1.3 / 4.2	200	140
1,361 / 3,000	2.5 / 8.2	270	120	2.5 / 8.2	260	140	-	-	-
1,588 / 3,500	1.8 / 5.9	290	140	1.8 / 5.9	300	180	-	-	-
1,814 / 4,000	1.4 / 4.6	310	155	-	-	-	-	-	-
2,041 / 4,500	0.4 / 1.3	330	170	-	-	-	-	-	-

- Rope :**
 - DV-4500i : Galvanized aircraft A7 x 19, 6.3 mm x 15.2 m (1/4" x 50')
 - DV-3500i : Galvanized aircraft A7 x 19, 5.5 mm x 15.2 m (7/32" x 50')
 - DV-2500i : Galvanized aircraft A7 x 19, 4.8 mm x 15.2 m (3/16" x 50')
- Recommended battery :** 650 CCA minimum for winching
- Battery lead :**
 - 12V : 1.5 m (5') 6 gauge battery lead
 - 24V : 1.5 m (5') 8 gauge battery lead
- Mounting bolts pattern :** 86 x 93 mm (3.4" x 3.7")
- Winch weight (including rope) :**
 - DV-4500i : 14.2 kg / 31.2 lb
 - DV-3500i : 13.9 kg / 30.6 lb
 - DV-2500i : 13.5 kg / 29.7 lb
- Gross weight :**
 - DV-4500i : 18.2 kg / 40 lb
 - DV-3500i : 17.9 kg / 39.4 lb
 - DV-2500i : 17.5 kg / 38.5 lb
- Box dimension :** 470 x 280 x 200 (18.5" x 11" x 7.9")

DIMENSION mm/in :



Wireless Remote Control

- PN 881262 RF-24C for automotive winches with a 6-pin plug
- PN 880609 RF-24A for automotive winches with a 3-pin plug

COMEUP wireless remote control communicates by a 2.4GHz digital transmission frequency. It delivers a reliable connection covering up to 27m (90') radius without interference. Users will experience virtually no interference and no time-lag operation when multiple devices are used in the same working area. The two-way communications provides feedback on signal receiving and it requires no manual configuration. It's easy to install. By simple plug-and-play, it starts working within seconds. Each pairing transmitter links up and stays linked automatically. You never have to worry about anyone having the same frequency. The sooner they are installed, the faster they work.

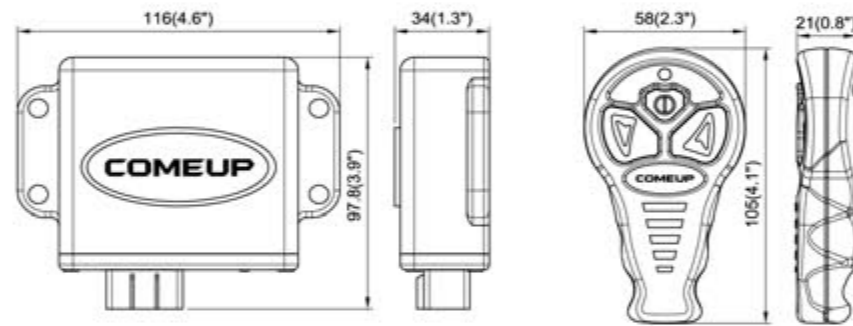
- Works with any 12 or 24 volt contact-switched automotive winches.
- 2.4 GHz wireless technology works within 27m (90') radius and the anti-interference function lets you move around an obstacle for winching.
- Stylish and ergonomic design fits comfortably with your hand.
- Power is switched on after a 5-second continuous press for safety.
- Power is cut after 5-minutes of inactivity for safety and conserving battery life.
- The transmitter can be self-coded, simplifying installation and replacement.
- Meet international standards of CE Electromagnetic Compatibility Directive 2004/108/EC.
- This equipment has been tested and found to comply with the limits for a Class B digital device, pursuant to part 15 of the FCC Rules. These limits are designed to provide reasonable protection against harmful interference in a residential installation.



SPECIFICATIONS :

- Frequency :** 2.4 GHz
- Remote range :** up to 27 m (90')
- LED indication :** Green light for power on.
Red light for winching.
Blinking green light for low battery life.
Blinking red light for poor signal received.
- Transmitter :** 3V lithium battery, weight: 60 g / 2.1 oz
- Receiver :** DC 8-24V rated 7.5A, weight: 150 g / 5.3 oz
- WARRANTY :** Each new wireless remote control is guaranteed against defects in workmanship and material defects for period of one (1) year from date of purchase.

DIMENSION mm/in :



Medium Duty Kit PN 883436

Designed for winch single line capacity up to 4,309 kg / 9,500 lb
Includes :

- 10,000 kg / 22,000 lb maximum capacity snatch block, PN 881079
- 100 mm x 2.4 m (4" x 8') tree trunk protector strap, PN 881091
- 75 mm x 9 m (3" x 30') recovery strap rated to 9,800 / 21,600 lb, PN 881090
- Bow shackle, 33 mm (3/4") pin diameter, PN 883440
- Gloves, PN 883437
- Bag, PN 883439



Heavy Duty Kit PN 883438

Designed for winch single line capacity to 6,803 kg / 15,000 lb
Includes :

- 13,610 kg / 30,000 lb maximum capacity snatch block, PN 881082
- 100 mm x 2.4 m (4" x 8') tree trunk protector strap, PN 881091
- 75 mm x 9 m (3" x 30') recovery strap rated to 9,800 kg / 21,600 lb, PN 881090
- Bow shackle, 33 mm (3/4") pin diameter, PN 883440
- 3 m of 8 mm (10' of 5/16") grade 70 choker chain with hooks, PN 881096
- Gloves, PN 883437
- Bag, PN 883439



DC Solenoid

- PN 881077 (12V) / PN 881078 (24V)
for DV-2500i/3500i/4500i



Quick Connector

- PN 881075 50A
PN 881076 175A



Sealed Contactor

- PN 881355 (12V) / PN 881356 (24V)
400A, for DV-9/9s/9i/9si/12 light/12s light/
12/15/18, Seal Gen2 9.5/9.5s/9.5rs/9.5i/
9.5si/9.5rsi/12.5/12.5s/12.5rs/16.5/16.5s/16.5rs,
Cap 9.0s, Blazer, Seal MadX 8.0s, Walrus 18.0/22.0
- PN 881357 (12V) 250A, for DV-6/6s/6rs carry on
PN 883402 (12V) / PN 883403 (24V)
DES-5012 500A available for competition winch



Remote Control

- PN 880295 for DV-2500i/3500i/4500i
- PN 880025 for DV-6/6s/6rs carry on
- PN 880126 for Seal Gen2 9.5/9.5s/9.5rs/9.5i/
9.5si/9.5rsi/12.5/12.5s/12.5rs/16.5/16.5s/16.5rs,
DV-9/9s/9i/9si/12 light/12s light/12/15/18,
Cap 9.0s, Blazer, Seal MadX 8.0s (comes with
protective thermal sensor LED)
- PN 881671 for Walrus 18.0/22.0 (comes with protective
thermal sensor LED & military quick connector)



Snatch Block

- PN 881079 Max. load 10,000 kg / 22,000 lb for
DV-6/6s/6rs carry on, DV-9/9s/9i/9si,
Seal Gen2 9.5/9.5s/9.5rs/9.5i/9.5si/9.5rsi,
Cap 9.0s, Blazer, Seal MadX 8.0s
- PN 881080 Max. load 5,000 kg / 11,000 lb for
DV-2500i/3500i/4500i
- PN 881082 Max. load 13,610 kg / 30,000 lb for
DV-12 light/12s light/12/15, Seal Gen2 12.5/12.5s/12.5rs



Mounting Channel

- PN 881083 Front mounting channel for
DV-6 Long drum, DV-9/9s/9i/9si,
Seal Gen2 9.5/9.5s/9.5rs/9.5i/9.5si/9.5rsi
- PN 881085 Front mounting channel for DV-12/15
- PN 882264 2" hitch receiver for DV-6s carry on



ESC-1250 Motor

- PN 883157 7.0hp 12V series wound motor with 5,000 rpm
available for competition winch



Rope Stopper

- PN 883399 for 10/11 mm diameter synthetic rope to
protect the fairlead



Synthetic Rope

- PN 883325 w/o hook for Seal Gen2 16.5s/16.5rs
- 25 m (82') of 12.7 mm (1/2") diameter synthetic rope designs for electric winches application with line pull of 7,484 kg (16,500 lb) or less
- PN 883248 w/o hook for Seal Gen2 9.5s/9.5rs/9.5si/9.5rsi, DV-9s/9si, Seal MadX 8.0s
- 30.5 m (100') of 10 mm (3/8") diameter synthetic rope designs for off-road winches application with line pull of 4,309 kg (9,500 lb) or less.
- PN 883285 w/o hook for Seal Gen2 12.5s/12.5rs, DV-12s light
- 25 m (82') of 11 mm (7/16") diameter synthetic rope designs for off-road winches application with line pull of 5,670 kg (12,500 lb) or less.
- PN 883261 w/o hook for Cap 9.0s
- 15.2 m (50') of 10 mm (3/8") diameter synthetic rope designs for off-road winch application with line pull of 4,082 kg (9,000 lb) or less.
- PN 883274 w/o hook for DV-6s/6rs carry on
- 24.4 m (80') of 8 mm (5/16") diameter synthetic rope designs for portable winch application with line pull of 2,722 kg (6,000 lb) or less.
- PN 883413 w/o hook for Utility Winch 5000si
- 15.2 m (50') of 6.3 mm (1/4") diameter synthetic rope design for utility duty winch application with line pull of 2,268 kg (5,000 lb) or less.



Wire Rope with Safety Hook

- PN 881246 11.1 mm x 27.1 m (7/16" x 89') for DV-15
- PN 880052 9.5 mm x 38.1 m (3/8" x 125') for DV-12
- PN 881522 9.5 mm x 25 m (3/8" x 82') for DV-12 light, Seal Gen2 12.5
- PN 880112 8.7 mm x 30.5 m (11/32" x 100') for Seal Gen2 9.5/9.5i
- PN 880010 8.3 mm x 30.5 m (21/64" x 100') for DV-9/9i
- PN 882329 7.1 mm x 24.4 m (9/32" x 80') for DV-6 Std. drum
- PN 882330 7.1 mm x 30.5 m (9/32" x 100') for DV-6 Long drum
- PN 880305 6.3 mm x 15.2 m (1/4" x 50') for DV-4500i
- PN 880298 5.5 mm x 15.2 m (7/32" x 50') for DV-3500i
- PN 880288 4.8 mm x 15.2 m (3/16" x 50') for DV-2500i



Wire Rope

PN 881929 12.7 mm x 25 m (1/2" x 82') for DV-18

PN 882027 11.1 mm x 27.4 m (7/16" x 90') for

Seal Gen2 16.5

PN 883082 12.7 mm x 25 m (1/2" x 82'), 6 x 29 – IWRC

(Breaking strength 126.4 kN for Walrus 22.0

PN 883081 11.1 mm x 27 m (7/16" x 89'), 6 x 29 – IWRC

(Breaking strength 100.7 kN) for Walrus 18.0



Hook

PN 882477 sling hook for Seal Gen2 9.5s/9.5rs/9.5i/9.5si/12.5s/12.5rs/16.5s/16.5rs, DV-9s/9si/12s light, Cap 9.0s, Seal MadX 8.0s, Blazer

PN 881996 1/2" clevis hook for DV-18, Seal Gen2 16.5, Walrus 18.0/22.0

PN 881995 3/8" clevis hook for DV-6s/6s carry on

PN 881997 5/16" clevis hook for Utility Winch 5000si



Bow Shackles

PN 881092 20 mm (3/4") pin diameter

PN 883440 33 mm (3/4") pin diameter



Detachable Control Box

PN 881164 (12V) for DV-9/9s/12 light/12s light/12/15/18, Seal Gen2 9.5/9.5s/12.5/12.5s/16.5/16.5s, Cap 9.0s, Seal MadX 8.0s

PN 881165 (24V) for DV-9/9s/12 light/12s light/12/15/18, Seal Gen2 16.5/16.5s

PN 882780 (12V) for Seal Gen2 9.5rs/12.5rs/16.5rs,

w/built-in wireless receiver

PN 882781 (24V) for Seal Gen2 16.5rs w/built-in

wireless receiver

PN 882242 (12V) with handle for DV-6s carry on

PN 882265 (12V) with handle for DV-6 Std. drum, DV-6s

PN 882398 (12V) for DV-6 Long drum



Air Clutch

PN 883036 for Seal Gen2

9.5/9.5s/9.5rs/9.5i/9.5si/12.5/12.5s/12.5rs, Seal MadX 8.0s



Clutch Lever Kit

PN 883236 for Seal Gen2 9.5/9.5s/9.5rs/9.5i/9.5si/12.5/12.5s/12.5rs

PN 883239 for Seal Gen2 16.5/16.5s/16.5/16.5rs, Walrus 18.0/22.0



Emergency Stop Switch

PN 881668 400A



Battery Isolation Switch

PN 881097 2 Position Off-On 12V 500 Amp for Seal Gen2/DV/Cap Series Winch



Bridge Control Box

PN 881160 (12V) / PN 881161 (24V)

for DV-9i /9si

PN 882681 (12V) for Seal Gen2 9.5i/9.5si

PN 882685 (12V) for Seal Gen2 9.5rsi

w/built-in wireless receiver



Roller Fairlead

PN 880289 63 mm throat for DV-2500i/3500i/4500i

PN 880066 179 mm throat for DV-12/15/18, Seal Gen2

9.5/9.5i/12.5/16.5

PN 880096 109 mm throat for DV-6 Std. drum

PN 880023 210 mm throat for DV-6 Long drum,

DV-9/9i/12 ligh, Seal Gen2 9.5/9.5i/12.5

PN 882990 179 mm throat for Walrus 18.0

PN 883088 229 mm throat for Walrus 22.0



Hawse Fairlead

PN 881061 184 mm throat for Seal Gen2

9.5s/9.5rs/9.5si/9.5sri/12.5s/12.5rs/16.5s/16.5rs,

DV-9s/9si/12s light

PN 882152 112 mm throat for Cap 9.0s,

DV-6s/6s carry on

PN 882697 265 mm throat for Blazer

PN 883411 for Utility Winch 5000si

PN 883187 275(W) x 25(H) mm throat /

PN 883188 275(W) x 50(H) mm throat for

Blazer competition winch



Elite Hawse Fairlead

PN 883377 184 mm throat for MadX winch



Race Team Hawse Fairlead

PN 883042 82 mm throat for short drum winch with 6" mounting bolts pattern

PN 883043 133 mm throat for short drum winch with 8" mounting bolts pattern

PN 883063 184 mm throat for short drum winch with 6" mounting bolts pattern



Cable Tensioner

PN 881087 204 mm for DV-12/15

PN 882038 184 mm for DV-18

PN 883091 330 mm for Walrus 20.0

PN 883090 280 mm for Walrus 18.0



Recovery Strap

Use a recovery strap to snatch or pull out a stuck vehicle.

• 9,800 kg / 21,600 lb recovery strap 75 mm x 9 m (3" x 30') , PN 881090



Tree Trunk Protector Strap

This tree trunk protector strap is useful for connecting a winch wire rope to almost any anchor point, but is primarily designed to prevent damage to a live tree trunk.

• 13,610 kg / 30,000 lb tree trunk protector 100 mm x 2.4 m (4" x 8') , PN 881091



Walrus/ Seal Gen2/Cap/MadX/Blazer

Model Number		Walrus		Seal Gen2											Cap 9.0s	MadX 8.0s	Blazer	
		22.0	18.0	16.5	16.5s	16.5rs	12.5	12.5s	12.5rs	9.5	9.5s	9.5rs	9.5i	9.5si				9.5rsi
Rated line pull	lb	22,000	18,000	16,500	16,500	16,500	12,500	12,500	12,500	9,500	9,500	9,500	9,500	9,500	9,500	9,000	8,000	8,000
Remote control		●	●	●	●	●	●	●	●	●	●	●	●	●	●	●	●	●
Control box	12V	-	-	●	●	●	●	●	●	●	●	●	●	●	●	●	●	●
	24V	●	●	●	●	●	-	-	-	-	-	-	-	-	-	-	-	-
Wire rope w/hook		●	●	●	-	-	●	-	-	●	-	-	-	-	-	-	-	-
Synthetic rope w/hook		-	-	-	●	●	-	●	-	●	●	-	●	●	●	●	●	●
Roller fairlead		●	●	●	-	-	●	-	-	●	-	-	●	-	-	-	-	-
Hawse fairlead		-	-	-	●	●	-	●	●	-	●	●	-	●	●	●	●	●
Circuit breaker		○	○	○	○	○	○	○	○	○	○	○	○	○	○	○	○	○
Battery lead		●	●	●	●	●	●	●	●	●	●	●	●	●	●	●	●	●
Handsaver strap		●	●	●	●	●	●	●	●	●	●	●	●	●	●	●	●	●
Cable tensioner		●	●	-	-	-	-	-	-	-	-	-	-	-	-	-	-	-
Snatch block		-	-	-	-	-	○	○	○	○	○	○	○	○	○	○	○	○
Mounting channel		-	-	-	-	-	-	-	-	○	○	○	○	○	○	-	-	-
Winch accessory kit		-	-	-	-	-	○	○	○	○	○	○	○	○	○	○	○	○
Wireless remote control		-	-	○	○	Built-in	○	○	Built-in	○	○	Built-in	○	○	Built-in	○	○	○
Rope stopper		-	-	-	○	○	-	○	○	○	○	-	○	○	○	○	○	○
Externed clutch kit		-	-	○	○	○	○	○	○	○	○	○	○	○	○	-	-	-
Air clutch		-	-	-	-	-	○	○	○	○	○	○	○	○	○	-	○	-

DV/Utility Duty Winch

Model Number		18	15	12	12 light	12s light	DV-				Utility Winch 5000si			4500i	DV-	2500i	
		18,000	15,000	12,000	12,000	12,000	9	9s	9i	9si	6	6s	6s carry on	5,000	4,500	3,500	2,500
Rated line pull	lb	18,000	15,000	12,000	12,000	12,000	9,000	9,000	9,000	9,000	6,000	6,000	6,000	5,000	4,500	3,500	2,500
Remote control		●	●	●	●	●	●	●	●	●	●	●	●	-	●	●	●
Control box	12V	●	●	●	●	●	●	●	●	●	●	●	●	Built-in	Built-in	Built-in	Built-in
	24V	●	●	●	●	●	●	●	●	●	-	-	-	-	Built-in	Built-in	Built-in
Wire rope w/hook		●	●	●	●	-	●	-	●	-	●	-	-	-	●	●	●
Synthetic rope w/hook		-	-	-	-	●	-	●	-	●	-	●	●	●	-	-	-
Roller fairlead		●	●	●	●	-	●	-	●	-	●	-	-	-	●	●	●
Hawse fairlead		-	-	-	-	●	-	●	-	●	-	●	-	-	-	-	-
Circuit breaker		○	○	○	○	○	○	○	○	○	○	○	○	○	○	○	○
Battery lead		●	●	●	●	●	●	●	●	●	●	●	●	●	●	●	●
Handsaver strap		●	●	●	●	●	●	●	●	●	●	●	●	●	●	●	●
Cable tensioner		○	○	○	-	-	-	-	-	-	-	-	-	-	-	-	-
Snatch block		-	○	○	○	○	○	○	○	○	○	○	○	○	○	○	○
Mounting channel		-	○	○	-	-	○	○	○	○	○	○	○	○	○	○	○
Winch accessory kit		-	○	○	○	○	○	○	○	○	○	○	○	○	○	○	○
Wireless remote control		○	○	○	○	○	○	○	○	○	○	○	○	Built-in	○	○	○
Rope stopper		-	-	-	-	○	-	○	-	○	-	-	-	-	-	-	-

● Means as a standard accessory / ○ Means as an option accessory

POWERSPORTS WINCH



Cub Series

2,000 - 3,000 - 4,000 lb pulling capacity

- 1 High efficient, low amp. draw and sealed permanent magnet motor
- 2 Mechanical load holding and dynamic brake for 100% braking
- 3 Full metal 3-stage planetary gear train for greater pulling force
- 4 Sliding pin and ring gear clutch device for rapid rope payout
- 5 Submersible sealed contactor handles high amps and allows higher duty cycle

COMEUP manufactures a complete line of powersports winches. COMEUP winches are always the best choice for a rider who needs help out of the mud, snow, ice or whatever obstacle stands in the way. Cub series winches are designed for endurance and reliability with features like a precision 3-stage planetary gear, center drum design, weather-sealed contactor, mechanical load holding, and easy-to-use handlebar rocker switch. If you are looking for a powerful Powersports winch to add versatility and dependability to your vehicle, we are confident we have what you want.

Standard Compliance:
CE Machinery Directive 2006/42/CE
CE Electromagnetic Compatibility Directive 2004/108/EC



▶ Limited Lifetime Warranty for Mechanical Components
▶ Limited One (1) Year Warranty for Electrical Components.

Cub 4s carry on

4,000 LB Powersports Portable Winch



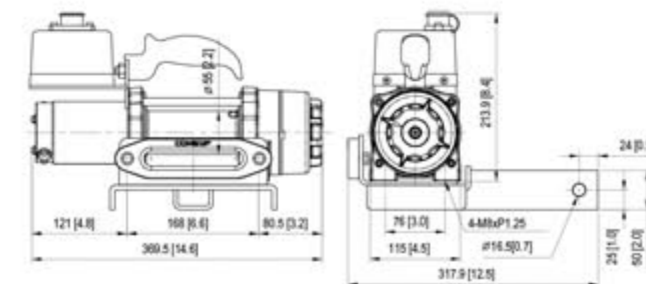
Note : Hawse fairlead does not mount to winch

Cub 4s carry on **PN 123930** (12V)
(with wire rope, roller fairlead, remote control, 2" hitch receiver)

SPECIFICATIONS :

- Rated line pull : 1,814 kg (4,000 lb) single line
- Motor : 800 w / 1.0 hp 12V permanent magnet
- Gear train & ratio : 3-stage planetary 191:1
- Clutch (freespooling) : Sliding pin and ring gear
- Brake : Mechanical spring applied and permanent magnet motor dynamic brakes together
- Winch construction : Aluminum die cast housings and drum
- Drum size : 55 x 119 mm (2.2" x 4.7")
- Control : Remote control w/3 m cord
- Rope : Synthetic rope, 5.5 mm x 15.2 m (7/32" x 50')
- Recommended battery : 550 CCA minimum for winching
- Battery lead : 1.8 m (6') 6 gauge battery lead
- Mounting bolts pattern : 76 x 168 mm (3" x 6.6")
- Winch weight (including rope) : 12.2 kg / 26.9 lb
- Gross weight : 19.1 kg / 42.1 lb
- Box dimension : 410 x 200 x 345 mm (16.1" x 7.9" x 13.6")

DIMENSION mm/in :



PERFORMANCE DATA :

Line Pull and Rope Capacity

Layer of Rope	Pull by Layer, kg / lb	Total Rope on the Drum, m / ft
1 st	1,814 / 4,000	4.0 / 13.2
2 nd	1,535 / 3,385	8.8 / 28.8
3 rd	1,331 / 2,933	14.2 / 46.7
4 th	1,174 / 2,588	15.2 / 50

Line Speed and Amp. Draw (1st layer of rope on the drum)

Line Pull kg / lb	Line Speed, mpm / fpm	Amp. Draw, A 12V
No Load	6.0 / 19.7	15
454 / 1,000	3.4 / 11.2	70
907 / 2,000	2.9 / 9.5	120
1,361 / 3,000	2.4 / 7.9	180
1,814 / 4,000	2.0 / 6.6	230



- Standard Accessories
- 1 Synthetic rope 5.5 mm x 15.2m, **PN 881993**
 - 2 Clevis hook, **PN 881997**
 - 3 Control box w/handle, **PN 882239**
 - 4 Remote control w/3m cord, **PN 881305**
 - 5 Hawse fairlead, **PN 881072**
 - 6 2" hitch receiver, **PN 882241**
 - 7 Base plate, **PN 880269**
 - 8 Quick Connector wiring kit, **PN 882252**
 - 9 Mounting hardware, **PN 882369**

4,000 LB Powersports Winch



Note : Roller/Hawse fairlead does not mount to winch

Cub 4 **PN 123920** (12V)
(with wire rope, roller fairlead)

Cub 4s **PN 129410** (12V)
(with synthetic rope, hawse fairlead)

SPECIFICATIONS :

- Rated line pull : 1,814 kg (4,000 lb) single line
- Motor : 800 w / 1.0 hp 12V permanent magnet
- Gear train & ratio : 3-stage planetary 191:1
- Clutch (freespooling) : Sliding pin and ring gear
- Brake : Mechanical spring applied and permanent magnet motor dynamic brakes together
- Winch construction : Aluminum die cast housings and drum
- Drum size : 55 x 119 mm (2.2" x 4.7")
- Control : Handlebar rocker switch
- Rope :
- Cub 4 : Galvanized aircraft A7 x 19, 5.5 mm x 15.2 m (7/32" x 50')
- Cub 4s : Synthetic rope, 5.5 mm x 15.2 m (7/32" x 50')
- Recommended battery : 550 CCA minimum for winching
- Battery lead : 1.8 m (6') 6 gauge battery lead
- Mounting bolts pattern : 76 x 168 mm (3" x 6.6")
- Winch weight (including rope) :
- Cub 4 : 8.9 kg / 19.6 lb
- Cub 4s : 8 kg / 17.6 lb
- Gross weight :
- Cub 4 : 13.1 kg / 28.9 lb
- Cub 4s : 12 kg / 26.4 lb
- Box dimension : 380 x 362 x 144 mm (15" x 14.3" x 5.7')

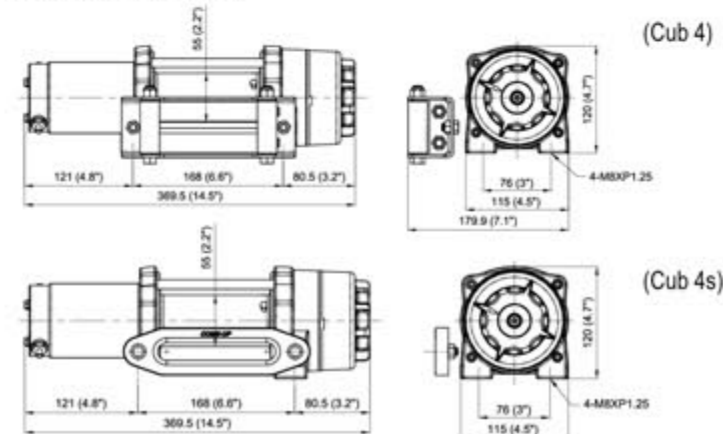
PERFORMANCE DATA :
Line Pull and Rope Capacity

Layer of Rope	Pull by Layer, kg / lb	Total Rope on the Drum, m / ft
1 st	1,814 / 4,000	4.0 / 13.2
2 nd	1,535 / 3,385	8.8 / 28.8
3 rd	1,331 / 2,933	14.2 / 46.7
4 th	1,174 / 2,588	15.2 / 50

Line Speed and Amp. Draw (1st layer of rope on the drum)

Line Pull kg / lb	Line Speed, mpm / fpm	Amp. Draw, A 12V
No Load	6.0 / 19.7	15
227 / 500	3.9 / 12.8	45
454 / 1,000	3.4 / 11.2	70
680 / 1,500	3.1 / 10.2	90
907 / 2,000	2.9 / 9.5	120
1,134 / 2,500	2.7 / 8.9	150
1,361 / 3,000	2.4 / 7.9	180
1,588 / 3,500	2.2 / 7.2	210
1,814 / 4,000	2.0 / 6.6	230

DIMENSION mm/in :



3,000 LB Powersports Winch



Note : Roller/Hawse fairlead does not mount to winch

Cub 3 **PN 123561** (12V)
(with wire rope, roller fairlead)

Cub 3s **PN 129300** (12V)
(with synthetic rope, hawse fairlead)

SPECIFICATIONS :

- Rated line pull : 1,361 kg (3,000 lb) single line
- Motor : 800 w / 1.0 hp 12V permanent magnet
- Gear train & ratio : 3-stage planetary 138.5:1
- Clutch (freespooling) : Sliding pin and ring gear
- Brake : Mechanical spring applied and permanent magnet motor dynamic brakes together
- Winch construction : Aluminum die cast housings and drum
- Drum size : 55 x 75 mm (2.2" x 3")
- Control : Handlebar rocker switch
- Rope :
- Cub 3 : Galvanized aircraft A7 x 19, 4.8 mm x 15.2 m (3/16" x 50')
- Cub 3s : Synthetic rope, 4.8 mm x 15.2 m (3/16" x 50')
- Recommended battery : 550 CCA minimum for winching
- Battery lead : 1.8 m (6') 6 gauge battery lead
- Mounting bolts pattern : 76 x 124 mm (3" x 4.9")
- Winch weight (including rope) :
- Cub 3 : 8.2 kg / 18 lb
- Cub 3s : 7.2 kg / 15.9 lb
- Gross weight :
- Cub 3 : 12.5 kg / 27.6 lb
- Cub 3s : 11.5 kg / 25.3 lb
- Box dimension : 349 x 331 x 144 mm (13.7" x 13" x 5.7')

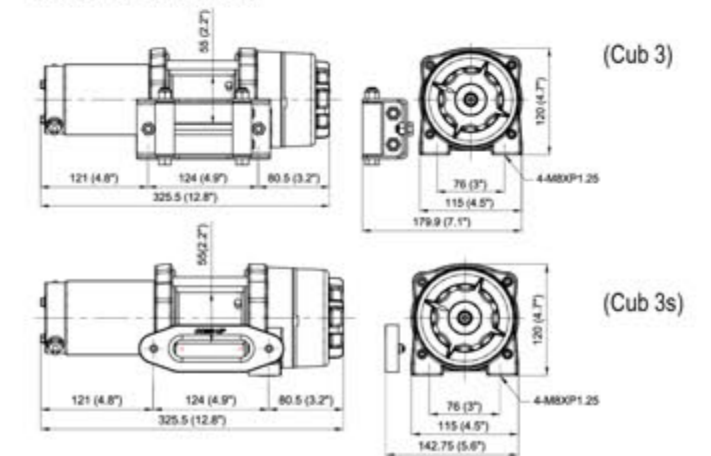
PERFORMANCE DATA :
Line Pull and Rope Capacity

Layer of Rope	Pull by Layer, kg / lb	Total Rope on the Drum, m / ft
1 st	1,361 / 3,000	2.8 / 9.3
2 nd	1,173 / 2,585	6.1 / 20.1
3 rd	1,030 / 2,271	9.9 / 32.5
4 th	918 / 2,025	14.1 / 46.3
5 th	829 / 1,827	15.2 / 50

Line Speed and Amp. Draw (1st layer of rope on the drum)

Line Pull kg / lb	Line Speed, mpm / fpm	Amp. Draw, A 12V
No Load	6.8 / 22.2	25
227 / 500	5.7 / 18.7	45
454 / 1,000	4.8 / 15.6	75
680 / 1,500	3.8 / 12.5	105
907 / 2,000	3.0 / 9.8	140
1,134 / 2,500	2.5 / 8.0	180
1,361 / 3,000	2.0 / 6.7	230

DIMENSION mm/in :



2,000 LB Powersports Winch



Note: Roller/Hawse fairlead does not mount to winch

Cub 2 **PN 122012** (12V)
(with wire rope, roller fairlead)

Cub 2s **PN 122112** (12V)
(with synthetic rope, hawse fairlead)

SPECIFICATIONS :

- Rated line pull : 907 kg (2,000 lb) single line
- Motor : 600 w / 0.8 hp 12V permanent magnet
- Gear train & ratio : 3-stage planetary 103:1
- Clutch (freespooling) : Cam activated
- Brake : Mechanical spring applied and permanent magnet motor dynamic brakes together
- Winch construction : Aluminum die cast drum and steel plate housings
- Drum size : 38 x 75 mm (1.5" x 3.0")
- Control : Handlebar rocker switch
- Rope :
- Cub 2 : Galvanized aircraft A7 x 19, 4 mm x 15.2 m (5/32" x 50')
- Cub 2s : Synthetic rope, 4 mm x 15.2 m (5/32" x 50')
- Recommended battery : 550 CCA minimum for winching
- Battery lead : 1.8 m (6') 6 gauge battery lead
- Mounting bolts pattern : 76 x 124 mm (3" x 4.9")
- Winch weight (including rope) :
- Cub 2 : 6.5 kg / 14.3 lb
- Cub 2s : 6 kg / 13.2 lb
- Gross weight :
- Cub 2 : 10 kg / 22 lb
- Cub 2s : 9 kg / 19.8 lb
- Box dimension : 296 x 223 x 140 mm (11.7" x 8.8" x 5.5')

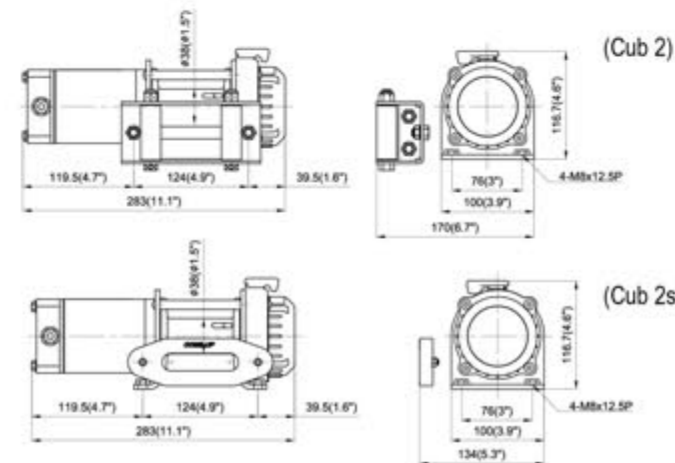
PERFORMANCE DATA :
Line Pull and Rope Capacity

Layer of Rope	Pull by Layer, kg / lb	Total Rope on the Drum, m / ft
1 st	907 / 2,000	2.4 / 7.9
2 nd	762 / 1,680	5.3 / 17.4
3 rd	657 / 1,448	8.6 / 28.2
4 th	577 / 1,272	12.4 / 40.7
5 th	515 / 1,135	15.2 / 50

Line Speed and Amp. Draw (1st layer of rope on the drum)

Line Pull kg / lb	Line Speed, mpm / fpm	Amp. Draw, A 12V
No Load	6.1 / 20.0	20
302 / 666	4.6 / 15.1	50
605 / 1,334	3.1 / 10.2	100
907 / 2,000	2.0 / 6.6	150

DIMENSION mm/in :



Wireless Remote Control

PN 881286 2.4 Ghz with 27 m (90'), RF-24D for Cub 2/2s/3/3s/4/4s carry on

Roller Fairlead

PN 880231 65 mm throat for Cub 2/3
PN 880132 109 mm throat for Cub 4

Hawse Fairlead

PN 881071 82 mm throat for Cub 2s/3s
PN 881072 108 mm throat for Cub 4s/4s carry on

Remote Control + Remote Socket

PN 881305 + PN 881004 for Cub 2/2s/3/3s/4/4s
PN 881305 for Cub 4s carry on

Contactor w/lead

PN 881385 250A, 12V for Cub 2/2s/3/3s/4/4s carry on

Handlebar Switch Kit

PN 881003 Rocker switch with cord for Cub 2/2s/3/3s/4/4s

Quick Connector

PN 881075 50A, for Cub 2/2s/3/3s/4/4s carry on

Contactor Pack

PN 881037 12V, Detachable contactor pack for Cub 2/2s/3/3s/4/4s

Snatch Block

PN 881080 Max. load 5,000 kg / 11,000 lb for Cub 4/4s/4s carry on
PN 881081 Max. load 2,700 kg / 6,000 lb for Cub 2/2s/3/3s

Powersports Winch Accessories Chart

Model Number	Cub 2	Cub 2s	Cub 3	Cub 3s	Cub 4	Cub 4s	Cub 4s carry on
Rated line pull kg	9,07	9,07	1,361	1,361	1,814	1,814	1,814
Rated line pull lb	2,000	2,000	3,000	3,000	4,000	4,000	4,000
Handlebar Switch Kit	●	●	●	●	●	●	-
Contactor Pack	●	●	●	●	●	●	-
Wire Rope w/Hook	●	-	●	-	●	-	-
Synthetic Rope w/Hook	-	●	-	●	-	●	●
Roller Fairlead	●	-	●	-	●	-	-
Hawse Fairlead	-	●	-	●	-	●	●
Handlebar Hardware	●	●	●	●	●	●	-
Mounting Hardware	●	●	●	●	●	●	●
Base Plate Kit	○	○	○	○	○	○	○
Handsaver Strap	●	●	●	●	●	●	●
Wireless Remote Control	○	○	○	○	○	○	○
Remote Control	○	○	○	○	○	○	○
Snatch Block	○	○	○	○	○	○	○

● Means as a standard accessory / ○ Means as an option accessory

Wire Rope with Hook

PN 881954 4.8 mm x 15.2 m (3/16" x 50') w/ stopper for Cub 3

PN 880257 4 mm x 15.2 m (5/32" x 50') w/ stopper for Cub 2

PN 881955 5.5 mm x 15.2 m (7/32" x 50') w/ stopper for Cub 4

Synthetic Rope

PN 881952 w/hook for Cub 3s

• 15.2 m (50') of 4.8 mm (3/16") diameter synthetic rope design for powersports winch application with line pull of 1,361 kg (3,000 lb) or less

PN 881953 w/hook for Cub 4s

PN 881993 w/o hook for Cub 4s carry on

• 15.2 m (50') of 5.5 mm (7/32") diameter synthetic rope design for powersports winch application with line pull of 1,814 kg (4,000 lb) or less

PN 881065 w/hook for Cub 2s

• 15.2 m (50') of 4 mm (5/32") diameter synthetic rope design for powersports winch application with line pull of 907 kg (2,000 lb) or less

Transmitter holder for Cub Series



Hook

PN 881997 5/16" clevis hook for Cub 4s carry on



INDUSTRIAL WINCH

HYDRAULIC RECOVERY WINCH

Powered by a PTO (power take off) unit driven pump, COMEUP Hydraulic Recovery Winches feature a professional hydraulic system for "Working" applications at cost effective, extremely powerful, reliable, light weight and variable line speed for high work rate. They come with a drag brake and over-center valve providing complete braking without slip. The efficient and constant operating high torque motor supports professional applications in tough situations. All COMEUP hydraulic recovery winches are for particular applications such as rescuing and recovering vehicles, cargo trucks, vehicle recovery and many other commercial vehicles.

▶ Bison Series 20,000 - 50,000 lb

▶ HV Series 8,000 - 15,000

Features:

- Powered by an onboard hydraulic pump or PTO
- Fast and variable recovery speeds for high speed working
- Efficient and constant operating high torque motor
- 2-stage planetary gear train for greater pulling force
- Turn clutch by ergonomic T-handle for rapid wire rope payout
- Drag brake and over-center valve providing complete braking
- EN 14492-1 supported: 10:1 D/d ratio and 2:1 wire rope strength allow severe duty vehicles and commercial recovery
- Meet SAE J706 revised AUG 2003, CE Machinery Directive 2006/42/EC, and EN 14492-1:2006 Power Driven Winches (Except Bison 30/50).



▶ Limited One (1) year Warranty.

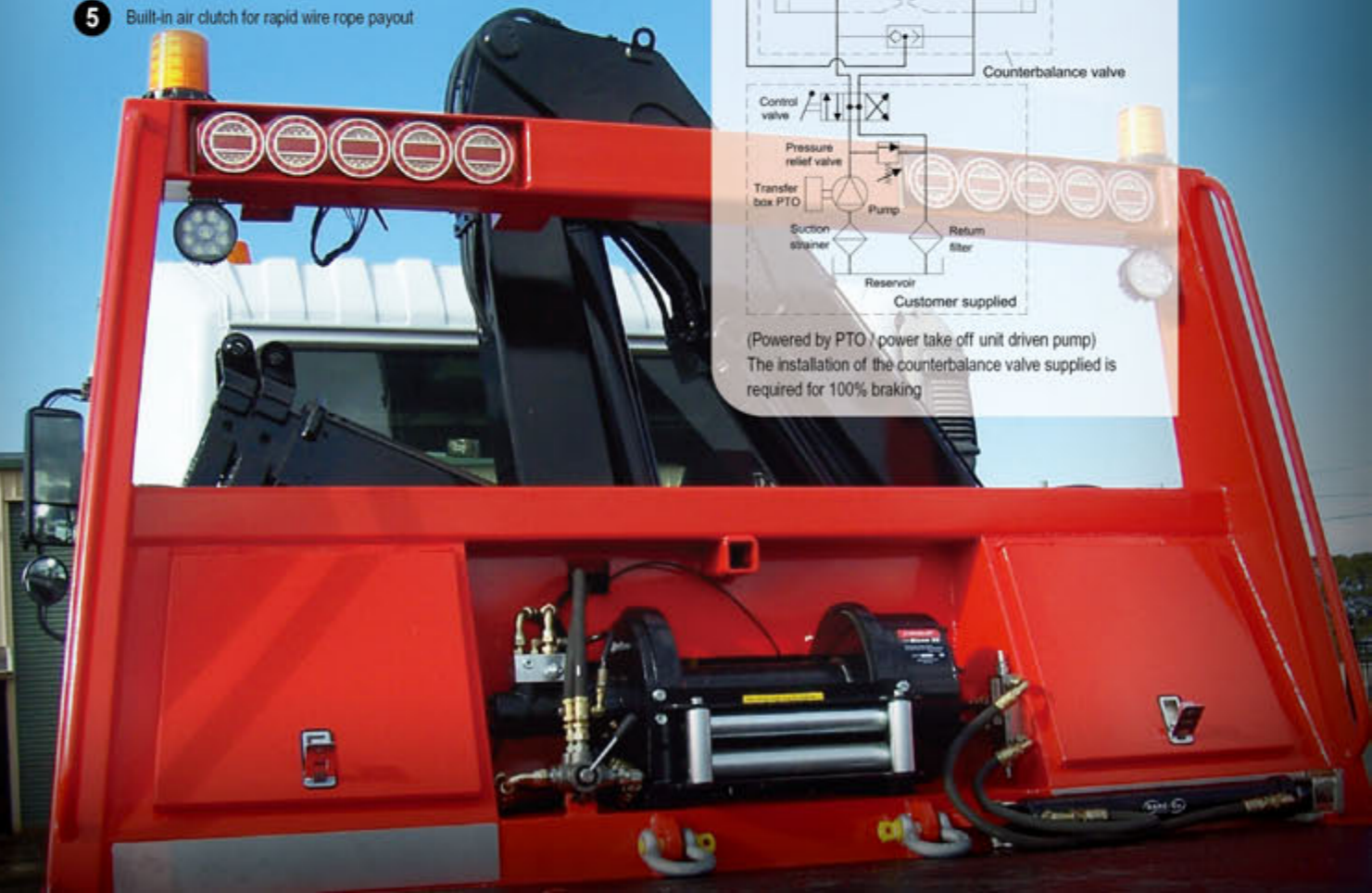
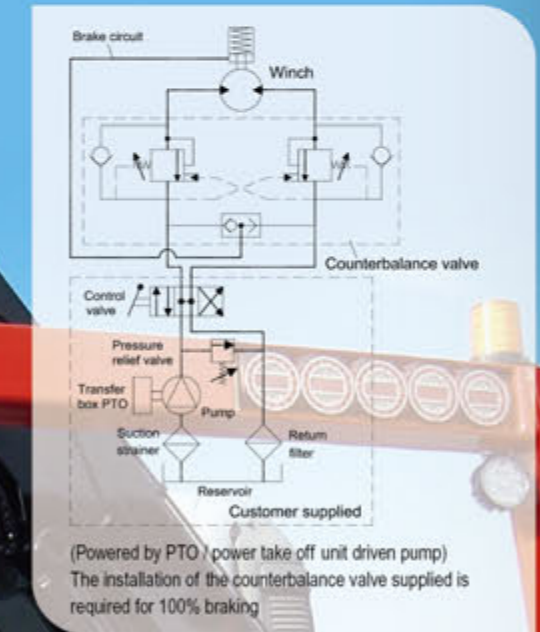
Bison Series

20,000 - 30,000 - 50,000 lb pulling capacity



- 1 Powered by a PTO (power take off unit) driven pump with variable recovery speeds for high working.
- 2 Highly efficient and constant operating torque motor.
- 3 The Multi-Disc Brake (MDB) patented for holding full load
- 4 Hardened 2-stage planetary gear train provides faster line.
- 5 Built-in air clutch for rapid wire rope payout

Remark : Low pressure motor or EN Version available upon request



50,000 LB Hydraulic Recovery Winch



Note : Roller fairlead does not mount to winch

Bison 50 **PN 685010** Std. drum
• Meet SAE J706 revised AUG2003, CE Machinery Directive 2006/42/CE

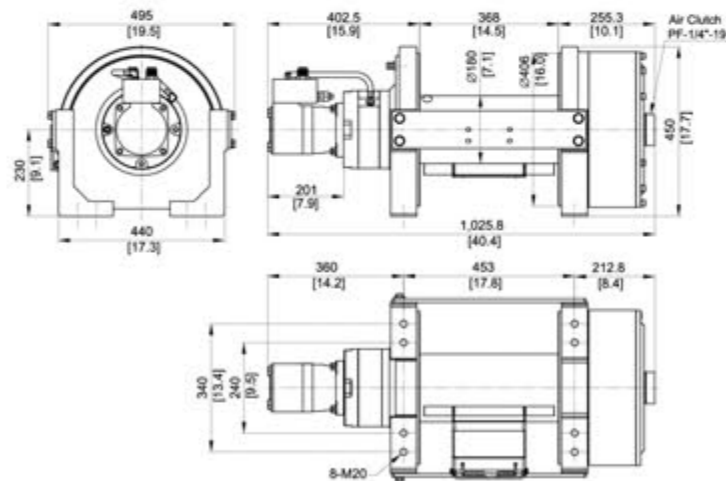
SPECIFICATIONS :

- Rated line pull : 22,680 kg (50,000 lb) SAE J706 ratings
- Operation pressure : 200 bar / 2,900 psi
- Max oil flow : 100 l/min (26.5 g/min)
- Hydraulic motor : 251.8 cm³ / rev (15.4 in³ / rev)
- Gear train & ratio : 2-stage planetary gear 44:1
- Winch construction : Cast housings with steel drum
- Clutch (Freespooling) : Output shaft disengaged
- Brake : Multi-Disc Brake (MDB) patented and counterbalance valve supplied
- Rotation of winch : Wire rope shall be under-wound orientation only
- Drum barrel diameter : 180 mm (7.1")
- Drum flange diameter : 406 mm (16")
- Distance between flanges : 368 mm (14.5")
- Mounting bolt pattern : 240 x 453 mm (9.5" x 17.8"); 340 x 453 mm (13.4" x 17.8")
- 305 kN (68,442 lbf)
- Wire rope recommended : 22.4 mm x 48 m (7/8" x 157') 1,770 N/mm² (EIPS) breaking strength of 305 kN required for SAE J706 ratings.
- Winch weight : 375 kg / 827 lb
- Gross weight : 410 kg / 904 lb
- Box dimension : 1,170 x 630 x 670 mm (46" x 24.8" x 26.4")

PERFORMANCE DATA :

Layer of Wire Rope	Line Pull and Rope Capacity		Line Speed
	Pull by Layer, kg / lb	Total Rope on the Drum, m / ft	at 100 l/min (26.5 g/min), mpm / fpm
1 st	22,680 / 50,000	10 / 33	5.7 / 19
2 nd	18,570 / 40,940	22 / 72	7.0 / 23
3 rd	15,720 / 34,660	36 / 118	8.3 / 27
4 th	13,630 / 30,050	48 / 157	9.6 / 31

DIMENSION mm/in :



30,000 LB Hydraulic Recovery Winch



Note : Roller fairlead does not mount to winch

Bison 30 **PN 683030** Std. drum
PN 683352 Long drum
• Meet SAE J706 revised AUG2003, CE Machinery Directive 2006/42/CE

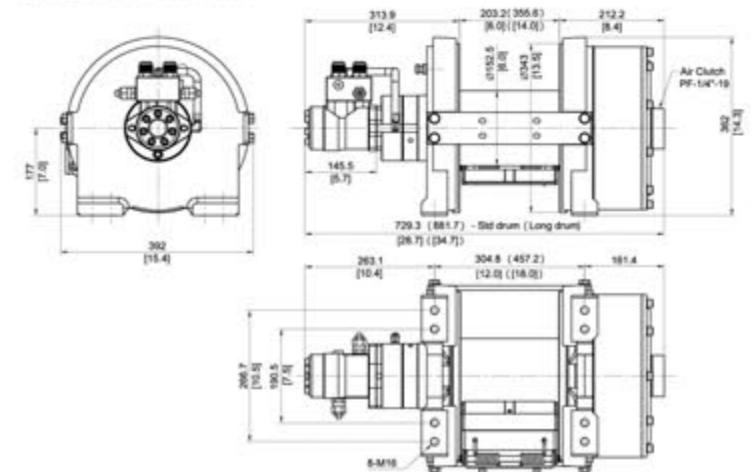
SPECIFICATIONS :

- Rated line pull : 13,600 kg (30,000 lb) SAE J706 ratings
- Operation pressure : 175 bar / 2,540 psi
- Max oil flow : 60 l/min (15.9 g/min)
- Hydraulic motor : 155.7 cm³ / rev (9.5 in³ / rev)
- Gear train & ratio : 2-stage planetary gear 41:1
- Winch construction : Cast housings with steel drum
- Clutch (Freespooling) : Output shaft disengaged
- Brake : Multi-Disc Brake (MDB) patented and counterbalance valve supplied
- Rotation of winch : Wire rope shall be under-wound orientation only
- Drum barrel diameter : 152.5 mm (6")
- Drum flange diameter : 343 mm (13.5")
- Distance between flanges : 203.2 mm (8") - Std. drum; 355.6 mm (14") - Long drum
- Mounting bolts pattern :
Std. drum - 190.5 x 304.8 mm (7.5" x 12"); 266.7 x 304.8 mm (10.5" x 12")
Long drum - 190.5 x 457.2 mm (7.5" x 18"); 266.7 x 457.2 mm (10.5" x 18")
- Wire rope recommended : 16 mm x 43 m (5/8" x 141') for Std. drum and 75 m (246') for Long drum, 1,960 N/mm² (EIPS) grade with a minimum breaking strength of 179 kN (40,167 lbf) required for SAE J706 ratings.
- Winch weight : 175 kg / 386 lb (Std. drum); 197 kg / 434 lb (Long drum)
- Gross weight : 198 kg / 437 lb (Std. drum); 235 kg / 518 lb (Long drum)
- Box dimension :
900 x 510 x 530 mm (35.4" x 20.1" x 20.9") - Std. drum
1,040 x 620 x 510 mm (40.9" x 24.4" x 20.1") - Long drum

PERFORMANCE DATA :

Layer of Wire Rope	Pull by Layer, kg / lb	Line Pull and Rope Capacity		Line Speed
		Total Rope on the Drum, Std. drum	Total Rope on the Drum, Long drum	at 60 l/min (15.9 g/min), mpm / fpm
1 st	13,600 / 30,000	6 / 20	11 / 36	5.0 / 16
2 nd	11,438 / 25,216	14 / 44	25 / 82	5.9 / 19
3 rd	9,864 / 21,745	22 / 73	40 / 131	6.9 / 23
4 th	8,670 / 19,115	32 / 104	58 / 190	7.8 / 26
5 th	7,735 / 17,052	43 / 141	75 / 246	8.8 / 29

DIMENSION mm/in :



20,000 LB Hydraulic Recovery Winch



Note : Roller fairlead does not mount to winch



Bison 20 **PN 682030** Std. drum
PN 682169 Long drum

• Meet SAE J706 revised AUG2003, CE Machinery Directive 2006/42/CE and EN 14492-1:2006 Power Driven Winches

SPECIFICATIONS :

Rated line pull : 9,070 kg (20,000 lb) EN 14492-1 rating & SAE J706 rating

Operation pressure : 175 bar / 2,540 psi

Max oil flow : 60 l/min (15.9 g/min)

Hydraulic motor : 155.7 cm³ / rev (9.5 in³ / rev)

Gear train & ratio : 2-stage planetary gear 30:1

Winch construction : Cast housings with steel drum

Clutch (Freespooling) : Output shaft disengaged

Brake : Multi-Disc Brake (MDB) patented and counterbalance valve supplied

Rotation of winch : Wire rope shall be under-wound orientation only

Drum barrel diameter : 146 mm (5.8")

Drum flange diameter : 314 mm (12.4")

Distance between flanges : 203.2 mm (8") - Std. drum ; 355.6 mm (14") - Long drum

Mounting bolts pattern :

Std. drum - 190.5 x 304.8 mm (7.5" x 12") ; 266.7 x 304.8 mm (10.5" x 12")

Long drum - 190.5 x 457.2 mm (7.5" x 18") ; 266.7 x 457.2 mm (10.5" x 18")

Wire rope recommended :

*14 mm x 43 m (9/16" x 141') for Std. drum and 80 m (262') for Long drum, 1,960 N/mm² (EIPS) grade with a minimum breaking strength of 137 kN (30,472 lbf) required for SAE J706 rating.

*16 mm x 30 m (5/8" x 98') for Std. drum and 55 m (180') for Long drum, 1,960 N/mm² (EIPS) grade with a minimum breaking strength of 179 kN (40,167 lbf) required for EN 14492-1 rating.

Winch weight : 135 kg / 298 lb (Std. drum) ; 150 kg / 331 lb (Long drum)

Gross weight : 165 kg / 364 lb (Std. drum) ; 195 kg / 430 lb (Long drum)

Box dimension :

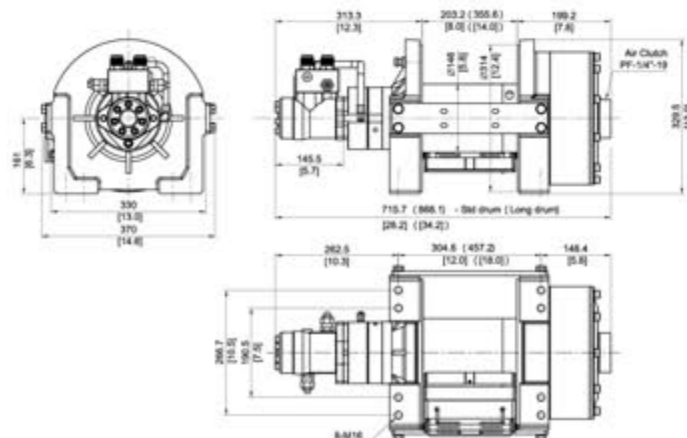
870 x 500 x 510 mm (34.3" x 19.7" x 20.1") - Std. drum

1,025 x 500 x 510 mm (40.4" x 19.7" x 20.1") - Long drum

PERFORMANCE DATA :

Layer of Wire Rope	Pull by Layer, kg / lb	Line Pull and Rope Capacity				Line Speed at 60 l/min (15.9 g/min), mpm / fpm
		Total Rope on the Drum, m / ft		Line Speed		
		14 mm rope	16 mm rope	14 mm rope	16 mm rope	
1 st	9,070 / 20,000	7 / 23	6 / 20	12 / 39	11 / 36	7.1 / 23
2 nd	7,719 / 17,017	15 / 49	13 / 43	27 / 89	24 / 79	8.3 / 27
3 rd	6,719 / 14,813	24 / 79	21 / 69	43 / 141	39 / 128	9.5 / 31
4 th	5,948 / 13,113	34 / 112	30 / 98	62 / 203	55 / 180	10.8 / 35
5 th	5,335 / 11,762	43 / 141	-	80 / 262	-	12 / 39

DIMENSION mm/in :



HV Series

8,000 - 10,000 - 12,000 - 15,000 lb pulling capacity

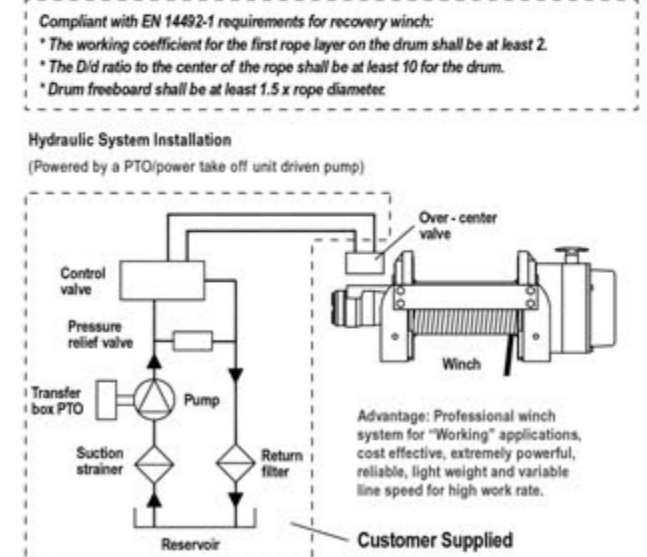


Note : Roller fairlead does not mount to winch.
Clutch in left side.



• Meet SAE J706 revised AUG2003, CE Machinery Directive 2006/42/EC, and EN 14492-1:2006 Power Driven Winches.

- 1 Powered by a PTO Device**
Adjustable oil flow and pressure allow variable line pull and speed.
- 2 Extreme Motor**
Highly efficient and constant operating torque output.
- 3 Doubled Failsafe Brakes**
Mechanical drag brake and over-center valve provided for holding full load.
- 4 Outstanding and Elegant Design**
Aluminum die cast housings with steel drum.
- 5 2-stage Planetary Gear Train**
Less gear reduction ratio for maximum rated line speed.
- 6 Turn Clutch by Ergonomic T-handle for Rapid Wire Rope Payout**
Easy to turn the T-handle for rapid wire rope payout and workable for left or right side location.



15,000 - 12,000 LB Hydraulic Recovery Winch



Note : Roller fairlead does not mount to winch

HV-15 **PN 686732** (Std. drum) / **PN 687548** (Std. drum, Clutch in left side)
 HV-12 **PN 684311** (Std. drum) / **PN 685433** (Std. drum, Clutch in left side)
 * Meet SAE J706 revised AUG2003, CE Machinery Directive 2006/42/EC and EN 14492-1: 2006 Power Driven Winches

SPECIFICATIONS :

Rated line pull :
 HV-15 : 6,800 kg (15,000 lb) EN 14492-1 rating & SAE J706 rating
 HV-12 : 5,440 kg (12,000 lb) SAE J706 rating
 5,100 kg EN 14492-1 rating

Operation pressure : 150 bar / 2,175 psi

Max oil flow : 60 l/min (15.9 g/min)

Hydraulic motor :

HV-15 : 156 cm³ / rev (9.5 in³ / rev)

HV-12 : 125 cm³ / rev (7.6 in³ / rev)

Gear train & ratio : 2-stage planetary, 19.4:1

Winch construction : Aluminum die cast housings with steel drum

Clutch (freespooling) : Rotating ring gear

Brake : Spring applied drag brake together with over-center valve supplied

Rotation of winch : Wire rope shall be under-wound orientation only

Drum barrel diameter :

HV-15 : 127 mm (5.0")

HV-12 : 114.3 mm (4.5")

Drum flange diameter : 252 mm (9.9")

Drum between flanges : 255 mm (10.0")

Mounting bolts pattern :

303.5 mm x 114.3 mm (12.0" x 4.5")

368.5 mm x 171.2 mm (14.5" x 6.7")

Wire rope recommended :

HV-15 : 14 mm x 27 m (9/16" x 89'), 1,960 N/mm² (EIPS) grade with a minimum breaking strength of 137 KN (30,742 lbf) required for SAE J706 and EN 14492-1 ratings

HV-12 : 12 mm x 39 m (1/2" x 128'), 1,960 N/mm² (EIPS) grade with a minimum breaking strength of 100.5 KN (22,552 lbf) required for SAE J706 and EN 14492-1 ratings

Winch weight :

HV-15 : 72 kg / 158.7 lb

HV-12 : 71 kg / 156.5 lb

Gross weight :

HV-15 : 88 kg / 194 lb

HV-12 : 87 kg / 191.8 lb

Box dimension, (L x D x H) : 735 x 430 x 335 mm (29" x 16.9" x 13.2")

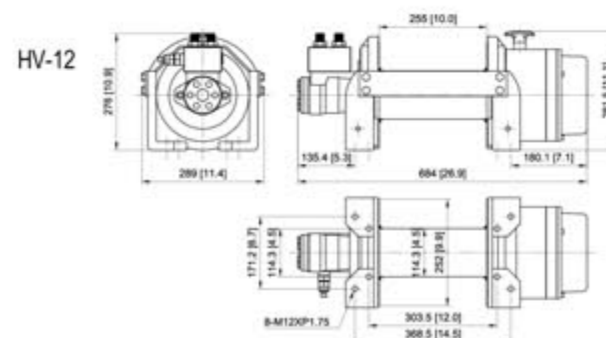
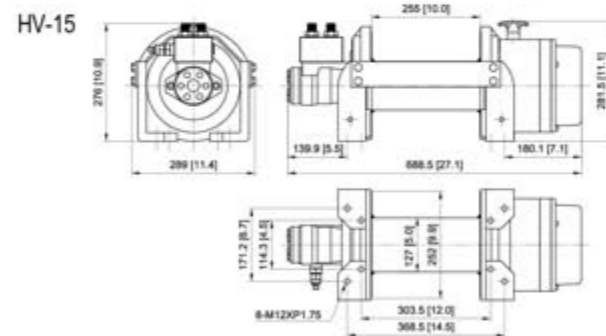
PERFORMANCE DATA :

Line Pull and Rope Capacity

HV-15 Layer of Wire Rope	Line Pull and Rope Capacity		Line Speed at 60 l/min (15.9 g/min), mpm / fpm
	Pull by Layer, kg / lb	Total Rope on the Drum, m / ft	
1 st	6,800 / 15,000	7.8 / 25.6	9.0 / 30.0
2 nd	5,637 / 12,507	17.3 / 56.8	10.5 / 34.4
3 rd	4,867 / 10,507	27.0 / 89.0	12.3 / 40.4

HV-12 Layer of Wire Rope	Line Pull and Rope Capacity		Line Speed at 60 l/min (15.9 g/min), mpm / fpm
	Pull by Layer, kg / lb	Total Rope on the Drum, m / ft	
1 st	5,440 / 12,000	8.2 / 26.9	10.0 / 33.0
2 nd	4,570 / 10,075	18.0 / 59.1	11.6 / 38.1
3 rd	3,939 / 8,684	29.3 / 96.1	13.5 / 44.3
4 th	3,462 / 7,632	39.0 / 128.0	15.4 / 50.5

DIMENSION mm/in :



10,000 - 8,000 LB Hydraulic Recovery Winch



Note : Roller fairlead does not mount to winch

HV-10 **PN 682546** (Std. drum) / **PN 683129** (Std. drum, Clutch in left side)
 * Meet SAE J706 revised AUG2003, CE Machinery Directive 2006/42/EC and EN 14492-1: 2006 Power Driven Winches

SPECIFICATIONS :

Rated line pull :

HV-10 : 4,535 kg (10,000 lb) SAE J706 rating

4,300 kg EN 14492-1 rating

HV-8 : 3,630 kg (8,000 lb) SAE J706 rating

3,560 kg EN 14492-1 rating

Operation pressure : 150 bar / 2,175 psi

Max oil flow : 60 l/min (15.9 g/min)

Hydraulic motor :

HV-10 : 97.3 cm³ / rev (5.9 in³ / rev)

HV-8 : 77.8 cm³ / rev (4.7 in³ / rev)

Gear train & ratio : 2-stage planetary, 16:1

Winch construction : Aluminum die cast housings with steel drum

Clutch (freespooling) : Rotating ring gear

Brake : Spring applied drag brake together with over-center valve supplied

Rotation of winch : Wire rope shall be under-wound orientation only

Drum barrel diameter : HV-10 : 102 mm (4.0") / HV-8 : 90 mm (3.5")

Drum flange diameter : 201.5 mm (7.9")

Drum between flanges : HV-10 & HV-8 (Long drum) : 253 mm (10")

HV-8 (Std. drum) : 190 mm (7.5")

Mounting bolts pattern :

HV-10 & HV-8 (Long drum) :

291.6 mm x 171.2 mm (11.5" x 6.7") / 374.2 mm x 114.3 mm (14.7" x 4.5")

HV-8 (Std. drum) :

228.6 mm x 171.2 mm (9.0" x 6.7") / 311.2 mm x 114.3 mm (12.3" x 4.5")

Wire rope recommended :

HV-10 : 11 mm x 27 m (7/16" x 89'), 1,960 N/mm² (EIPS) grade with a minimum breaking strength of 84.4 KN (18,939 lbf) required for SAE J706 and EN 14492-1 ratings

HV-8 : 10 mm x 30.5 m (3/8" x 100') for Std. drum and 40 m (131') for long drum, 1,960 N/mm² (EIPS) grade with a minimum breaking strength of 69.8 KN (15,663 lbf) required for SAE J706 and EN 14492-1 ratings

Winch weight : HV-10 : 37 kg / 81.4 lb

HV-8 (Std. drum) : 35.5 kg / 78.1 lb ; HV-8 (Long drum) : 37.5 kg / 82.7 lb

Gross weight : HV-10 : 46.6 kg / 102.5 lb

HV-8 (Std. drum) : 43.3 kg / 95.3 lb ; HV-8 (Long drum) : 45.3 kg / 99.9 lb

Box dimension, (L x D x H) :

HV-10 & HV-8 (Long drum) : 680 x 380 x 300 mm (26.8" x 15" x 11.8")

HV-8 (Std. drum) : 615 x 380 x 300 mm (24.2" x 15" x 11.8")

HV-8 **PN 680816** (Std. drum) / **PN 681091** (Long drum)

PN 681123 (Std. drum, Clutch in left side)

PN 681347 (Long drum, Clutch in left side)

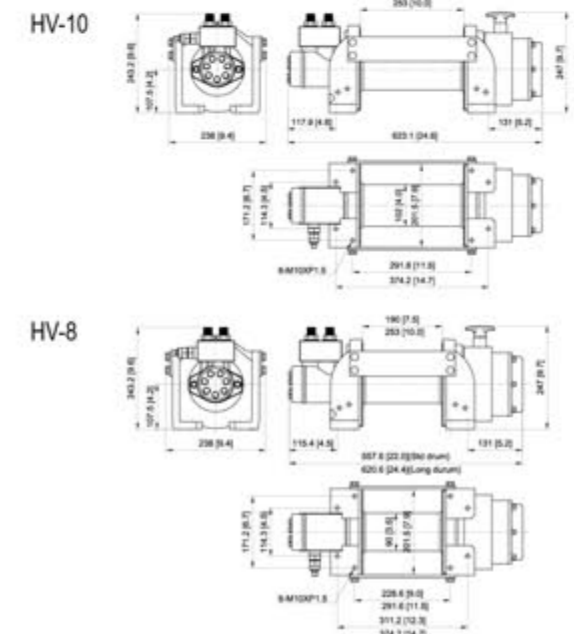
PERFORMANCE DATA :

Line Pull and Rope Capacity

HV-10 Layer of Wire Rope	Line Pull and Rope Capacity		Line Speed at 60 l/min (15.9 g/min), mpm / fpm
	Pull by Layer, kg / lb	Total Rope on the Drum, m / ft	
1 st	4,535 / 10,000	8.0 / 26.2	14.0 / 46.0
2 nd	3,796 / 8,369	17.5 / 57.4	16.3 / 53.5
3 rd	3,264 / 7,196	27.0 / 89.0	19.0 / 62.3

HV-8 Layer of Wire Rope	Line Pull and Rope Capacity		Line Speed at 60 l/min (15.9 g/min), mpm / fpm
	Pull by Layer, kg / lb	Total Rope on the Drum, m / ft Std. drum Long drum	
1 st	3,630 / 8,000	5.8 / 19.0 7.8 / 25.6	15.0 / 49.0
2 nd	3,025 / 6,669	12.8 / 42.0 17.1 / 56.1	18.2 / 59.7
3 rd	2,593 / 5,717	20.9 / 68.6 28.0 / 91.9	21.2 / 69.6
4 th	2,269 / 5,002	30.5 / 100 40 / 131	24.2 / 79.4

DIMENSION mm/in :



HYDRAULIC WORM GEAR WINCH

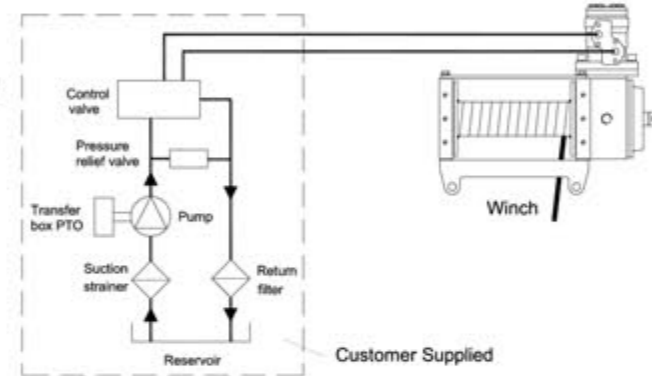
- Powered by an onboard hydraulic pump or PTO
- Fast and variable recovery speeds for high working rate
- High efficient and constant-operating torque motor
- Irreversible single stage worm gear provides instant braking and slip free operation
- An ergonomic T-handle for rapid wire rope payout
- Heavy duty roller fairlead with grease zerk fittings
- EN 14492-1 supported: 10:1 D/d ratio, 2:1 wire rope strength and 1.5d freeboard for severe duty car and commercial recovery
- Standard Compliance : SAE J706, CE Machinery Directive 2006/42/EC, and EN 14492-1:2006 Power Driven Winches.

Compliant with EN 14492-1 requirements for recovery winch:

- * The working coefficient for the first rope layer on the drum shall be at least 2.
- * The D/d ratio to the center of the rope shall be at least 10 for the drum.
- * Drum freeboard shall be at least 1.5 x rope diameter.



Hydraulic System



7,000 LB Hydraulic Worm Gear Winch



Note : Roller fairlead does not mount to winch

Yak 7 **PN 681260** Std. drum | **PN 681266** Long drum
* Meet SAE J706 revised AUG2003, CE Machinery Directive 2006/42/EC and EN 14492-1:2006 Power Driven Winches

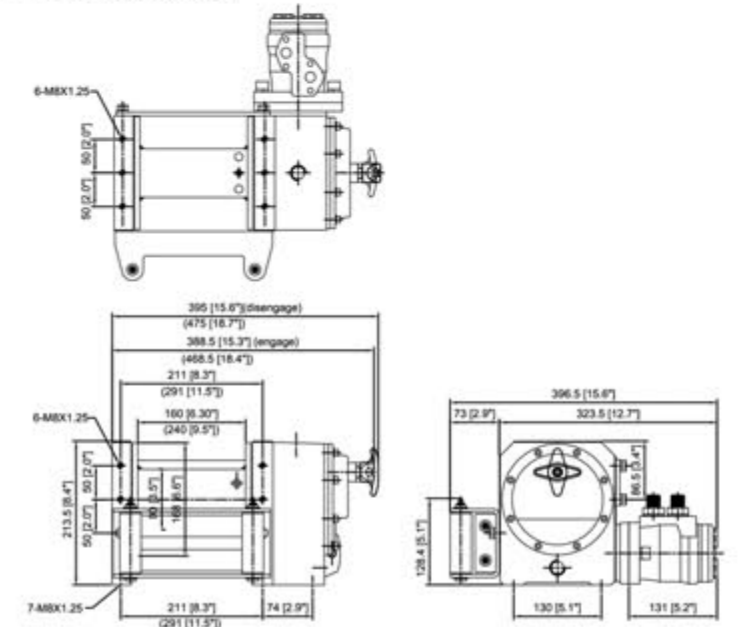
SPECIFICATIONS :

- Rated line pull :**
3,175 kg (7,000 lb) SAE J706 rating
3,200 kg EN 14492-rating
- Operation pressure :** 110 bar / 1,595 psi
- Max oil flow :** 40 l/min (10.6 g/min)
- Hydraulic motor :** 48.6 cm³ / rev (3.0 in³ / rev)
- Gear train & ratio :** 1-stage worm gear 50:1
- Winch construction :** Aluminum die cast housings with steel drum
- Clutch (Freespooling) :** Worm gear disengaged
- Brake :** Irreversible worm gear
- Rotation of winch :** Wire rope shall be under-wound orientation only
- Drum barrel diameter :** 90 mm (3.5")
- Drum flange diameter :** 168 mm (6.6")
- Distance between flanges :** 160 mm (6.3") - Std. drum / 240 mm (9.5") - Long drum
- Mounting bolts pattern :**
130 x 211 mm (5.1" x 8.3") - Std. drum
130 x 291 mm (5.1" x 11.5") - Long drum
- Wire rope recommended :**
10 mm x 10.7m for Std. drum and 16.2 m for Long drum, 1,960N/mm² grade with a minimum breaking strength of 69.8 kN required for EN 14492-1 rating
3/8" x 57.4' for Std. drum and 87.3' for Long drum, EIPS grade with a minimum breaking strength of 15,663 lbf required for SAE J706 rating
- Winch weight :** 29 kg / 63.9 lb (Std. drum) ; 33 kg / 72.8 lb (Long drum)
- Gross weight :** 33 kg / 72.8 lb (Std. drum) ; 37 kg / 81.6 lb (Long drum)
- Box dimension :**
431 x 386 x 256 mm (17" x 15.2" x 10.1") - Std. drum
511 x 386 x 256 mm (20.1" x 15.2" x 10.1") - Long drum

PERFORMANCE DATA :

Layer of Wire Rope	Line Pull and Rope Capacity		Line Speed	
	Pull by Layer, kg / lb	Total Rope on the Drum, m / ft Std. drum Long drum	at 40 l/min (10.6 g/min), mpm / fpm	
1 st	3,175 / 7,000	4.9 / 16.1 7.4 / 24.3	5.2 / 17.1	
2 nd	2,646 / 5,833	10.7 / 35.1 16.2 / 53.1	6.2 / 20.3	
3 rd	2,268 / 5,000	17.5 / 57.4 26.6 / 87.3	7.2 / 23.6	

DIMENSION mm/in :



Electric Recovery Winch

COMEUP, as an international brand of winch manufacturer, is aiming to provide a superior product that is inherently safe to operate in all conditions by all users. COMEUP further assures that its industrial winches comply with all European Standards and Directives including but not limited to EN 14492-1, the Machinery Safety regulations and all current Health and Safety regulations. COMEUP Rhino Series winch is designed to comply the above regulation requirements that ensures maximum performance in the toughest environment and is ideal for commercial, industrial and severe duty application.

- ▶ Rhino Series 8,000 ~ 12,000 lb
- ▶ Wolf Series 8,500 ~ 12,000 lb

EN 14492-1
COMPLIANT

Rhino Series 8,000 - 12,000 lb pulling capacity

- Reliable electric winch for commercial, industrial and severe duty applications
- 10 equally positioned pin holes with an ergonomic T-handle make end housing may be rotated in 36 degree increments
- Hardened steel, 3-stage planetary gear train for efficient and reliable operation
- Waterproof remote control with thermometric LED indicator alerts when the motor is over-heated
- U.S. Germany, U.K. France, etc patented mechanical cone brake holds full load
- Over-load protector built-in the control box prevents the overloading of the winch
- Submersible sealed contactor handles high amps and allows higher duty cycle
- Standard Compliance : CE Machinery Directive 2006/42/EC, CE Electromagnetic Compatibility Directive 2004/108/EC, EN 14492-1:2006 Power Driven Winches and SAE J706

OLP (Over-Load Protector) function

The over-load protector built-in the control box designs to prevent overloading of the winch

Compliant with EN 14492-1 requirements for recovery winch :

- The working coefficient for the first rope layer on the drum shall be at least 2
- The D/d ratio to the center of the rope shall be at least 10 for the drum.
- Drum freeboard shall be at least 1.5 x rope diameter

• The D/d ratio to the center of the rope shall be at least 10 for the drum.

• Drum freeboard shall be at least 1.5 x rope diameter

Rhino 12

12,000 LB Electric Recovery Winch



Note : Roller fairlead does not mount to winch

Rhino 12 PN 851212 (12V) | PN 851224 (24V)

* Meet CE Machinery Directive 2006/42/EC, CE Electromagnetic Compatibility Directive 2004/108/EC, EN 14492-1:2006 Power Driven Winches and SAE J706

SPECIFICATIONS :

Rated line pull : 5,440 kg (12,000 lb) SAE J706 rating
5,100 kg EN 14492-1 rating

Motor : 4,180 w / 5.6 hp 12V series wound
2,690 w / 3.6 hp 24V series wound

Gear train & ratio : 3-stage planetary 315:1

Clutch (freespooling) : Rotating ring gear

Brake (outside the drum) : Automatic, full load CBS (Cone Brake Structure)

Winch construction : Aluminum die cast housings with steel drum

Drum size : 114 x 195.5 mm (4.5" x 7.7")

Rotation of winch : Wire rope shall be under-wound orientation only

Control : Waterproof remote with thermometric indicator LED and 5 m (17') cord

Mounting bolts pattern : 254 x 114 mm (10" x 4.5")
254 x 165 mm (10" x 6.5")

Wire rope recommended :

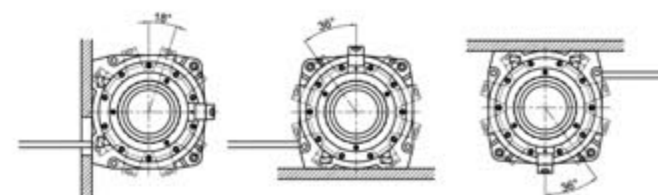
12 mm x 21.4m, 1,960N/mm² grade with a minimum breaking strength of 100.5 kN required for EN 14492-1 rating

1/2" x 100', EIPS grade with a minimum breaking strength of 22,552 lbf required for SAE J706 rating

Winch weight : 47 kg / 104 lb

Gross weight : 61 kg / 134 lb

Box dimension : 693 x 313 x 473 mm (27.3" x 12.3" x 18.6")



- ▶ 10 equally positioned pin holes ensure seamless clutch transmission and make it easily rotate by 36° increments.

PERFORMANCE DATA :

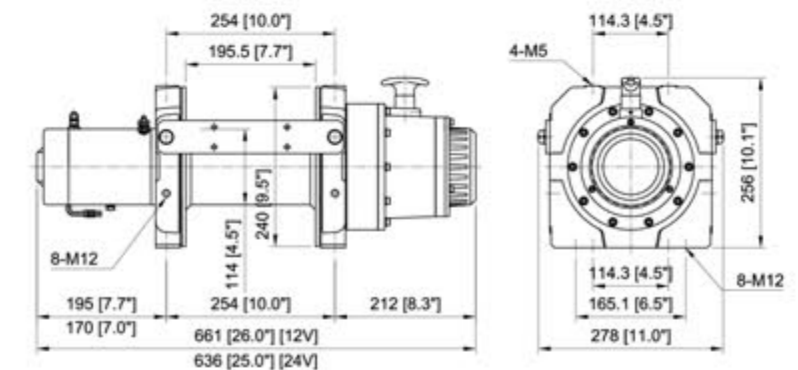
Line Pull and Rope Capacity

Layer of Rope	Pull by Layer, kg / lb	Total Rope on the Drum, m / ft
1 st	5,440 / 12,000	5.9 / 19.4
2 nd	4,534 / 9,996	13 / 42.7
3 rd	3,885 / 8,565	21.4 / 70
4 th	3,399 / 7,494	30.5 / 100

Line Speed and Amp. Draw (1st layer of rope on the drum)

Line Pull kg / lb	Line Speed, mpm / fpm	Amp. Draw, A	
		12V	24V
No Load	10 / 32.8	40	35
1,814 / 4,000	4.4 / 14.4	140	110
3,630 / 8,000	3.5 / 11.5	280	210
5,535 / 10,000	1.5 / 5.0	350	260
5,440 / 12,000	1.3 / 4.3	420	310

DIMENSION mm/in :



8,000 LB Electric Recovery Winch



Note : Roller fairlead does not mount to winch

Rhino 8 **PN 850812** (12V) | **PN 850824** (24V)

* Meet CE Machinery Directive 2006/42/EC, CE Electromagnetic Compatibility Directive 2004/108/EC, EN 14492-1:2006 Power Driven Winches and SAE J706

SPECIFICATIONS :

Rated line pull : 3,630 kg (8,000 lb) SAE J706 rating
3,560 kg EN 14492-1 rating

Motor : 3,430 w / 4.6 hp 12V series wound
1,940 w / 2.6 hp 24V series wound

Gear train & ratio : 3-stage planetary 211:1

Clutch (freespooling) : Rotating ring gear

Brake (outside the drum) : Automatic, full load CBS (Cone Brake Structure)

Winch construction : Aluminum die cast housings with steel drum

Drum size : 90 x 205 mm (3.5" x 8.1")

Rotation of winch : Wire rope shall be under-wound orientation only

Control : Waterproof remote with thermometric indicator LED and 5 m (17') cord

Mounting bolts pattern : 254 x 114 mm (10" x 4.5")

254 x 165 mm (10" x 6.5")

Wire rope recommended :

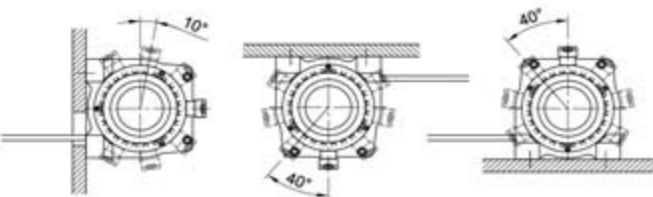
10 mm x 22.6 m, 1,960N/mm² grade with a minimum breaking strength of 69.8 kN required for EN 14492-1 rating

3/8" x 100', EIPS grade with a minimum breaking strength of 15,663 lbf required for SAE J706 rating

Winch weight : 31 kg / 68.3 lb

Gross weight : 47 kg / 104 lb

Box dimension : 650 x 260 x 440 mm (25.6" x 10.2" x 17.3")



9 equally positioned pin holes ensure seamless clutch transmission and make it easy rotate by 40 increments.

PERFORMANCE DATA :

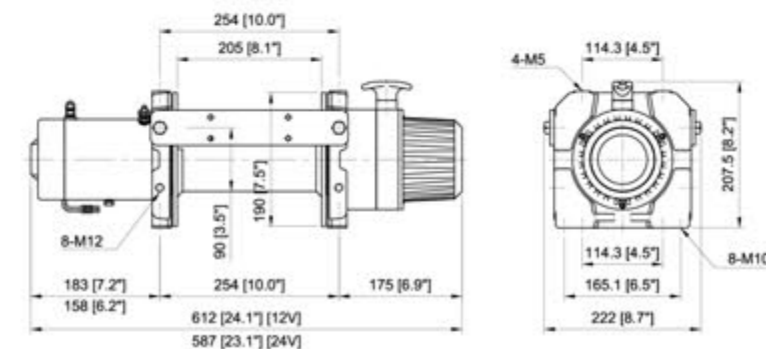
Line Pull and Rope Capacity

Layer of Rope	Pull by Layer, kg / lb	Total Rope on the Drum, m / ft
1 st	3,630 / 8,000	6.3 / 20.7
2 nd	3,025 / 6,669	13.8 / 45.3
3 rd	2,593 / 5,717	22.6 / 74
4 th	2,269 / 5,002	30.5 / 100

Line Speed and Amp. Draw (1st layer of rope on the drum)

Line Pull kg / lb	Line Speed, mpm / fpm	Amp. Draw, A	
		12V	24V
No Load	9.0 / 29.5	45	30
907 / 2,000	3.0 / 10	90	30
1,814 / 4,000	1.5 / 5.0	180	120
2,722 / 6,000	1.0 / 3.3	260	180
3,630 / 8,000	0.7 / 2.3	340	230

DIMENSION mm/in :



12,000 - 8,500 LB Electric Worm Gear Winch



Wolf 12.0 **PN 782478** (12V) / **PN 783415** (24V)

(with wire rope, roller fairlead, remote control, cable tensioner)

Wolf 8.5 **PN 780254** (12V) / **PN 780988** (24V)

(with wire rope, roller fairlead, remote control, cable tensioner)

* Meet CE Machinery Directive 2006/42/EC, CE Electromagnetic Compatibility Directive 2004/108/EC and SAE J706

SPECIFICATIONS :

Rated line pull :

Wolf 12.0 : 5,443 kg (12,000 lb) single line

Wolf 8.5 : 3,856 kg (8,500 lb) single line

Motor :

Wolf 12.0/8.5 : 3,430 w / 4.6 hp 12V series wound

Wolf 12.0 : 2,240 w / 3.0 hp 24V series wound

Wolf 8.5 : 1,940 w / 2.6 hp 24V series wound

Gear train & ratio :

Wolf 12.0 : 2-stage spur gears PLUS worm gear, 424:1

Wolf 8.5 : 2-stage spur gears PLUS worm gear, 228.9:1

Clutch (freespooling) : Mechanism lever

Brake : Irreversible worm gear brake PLUS mechanism ratchet wheel brake

Drum size :

Wolf 12.0 : 89 mm x 229 mm (3.5" x 9")

Wolf 8.5 : 82 mm x 229 mm (3.2" x 9")

Control : Waterproof remote w/5 m (17') cord

Rope :

Wolf 12.0 : Galvanized aircraft A7 x 19, 9.5 mm x 30.5 m (3/8" x 100')

Wolf 8.5 : Galvanized aircraft A7 x 19, 8.0 mm x 45 m (5/16" x 150')

Mounting bolts pattern :

273 mm x 110 mm (10.7" x 4.3") ; 257 mm x 172 mm (10.1" x 6.8")

Winch weight :

Wolf 12.0 : 41 kg / 90.4 lb ;

Wolf 8.5 : 40 kg / 88.2 lb

Gross weight :

Wolf 12.0 : 51 kg / 112.5 lb ;

Wolf 8.5 : 51 kg / 112.5 lb

Box dimension, (L x D x H) : 610 x 427 x 350 mm (24" x 16.8" x 13.8")

PERFORMANCE DATA :

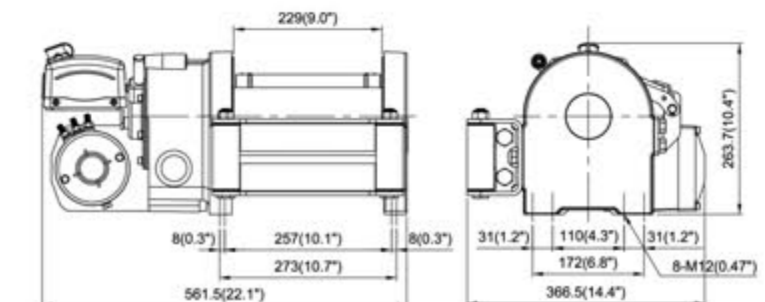
Line Pull and Rope Capacity

Layer of Rope	Wolf 12.0		Wolf 8.5	
	Pull by Layer, kg / lb	Total Rope on the Drum, m / ft	Pull by Layer, kg / lb	Total Rope on the Drum, m / ft
1 st	5,443 / 12,000	7.3 / 24.0	3,856 / 8,500	8.0 / 26.4
2 nd	4,563 / 10,060	16.0 / 52.6	3,279 / 7,229	17.5 / 57.4
3 rd	3,928 / 8,659	26.1 / 85.8	2,853 / 6,289	28.4 / 93.1
4 th	3,448 / 7,601	30.5 / 100	2,524 / 5,566	40.7 / 133.4
5 th	-	-	2,264 / 4,991	45.0 / 150.0

Line Speed and Amp. Draw (1st layer of rope on the drum)

Line Pull kg / lb	Line Speed, mpm / fpm		Amp. Draw, A			
	Wolf 12.0	Wolf 8.5	Wolf 12.0		Wolf 8.5	
			12V	24V	12V	24V
No Load	6.3 / 20.3	10.6 / 34.8	70	40	55	40
907 / 2,000	-	4.3 / 14.1	-	-	120	70
1,814 / 4,000	-	3.0 / 9.8	-	-	200	100
2,722 / 6,000	2.7 / 8.9	2.4 / 7.9	180	85	255	130
3,630 / 8,000	1.7 / 5.6	2.0 / 6.6	270	120	320	160
3,856 / 8,500	-	1.8 / 5.9	-	-	350	170
4,535 / 10,000	1.4 / 4.6	-	310	150	-	-
5,443 / 12,000	1.0 / 3.3	-	350	190	-	-

DIMENSION mm/in : (Wolf 12.0/8.5)



HEAVY DUTY HOIST

- Provides an answer to the health and safety recommendations for manual lifting
- High efficient low amp. draw and sealed permanent magnet motor
- Lightweight and compact design is ideal for easy installation
- Waterproof industrial remote control with 5 m lead
- Full metal 3 stage planetary gear train for greater pulling force
- Submersible sealed contactor handles high amps and allows higher duty cycle
- In compliance with standard of ASME B30.5 for D/d ≥ 18 and rope safety factor ≥ 3.5
- Meet CE Machinery Directive 2006/42/EC, CE EMC Directive 2004/108/EC and ASME B30.5



2800 LB Heavy Duty Hoist



GTD-2800
PN 753022 (12V) | **PN 753033** (24V)
PN 753002 (12V) w/o controls and rope assembly
PN 753003 (24V) w/o controls and rope assembly

SPECIFICATIONS :

Rated line lift : 1,270 kg (2,800 lb)
Motor : 2,830 w / 3.8 hp 12V permanent magnet ;
 1,940 w / 2.6 hp 24V permanent magnet
Gear train & ratio : 3-stage planetary 261:1
Brake (outside the drum) : Mechanical cone brake and permanent motor dynamic brakes together
Winch construction : Aluminum die cast housings and steel drum
Drum size : 135 x 114.6 mm (5.3" x 4.5")
Control : Remote control with 5 m (17') lead
Rope : Galvanized aircraft A7 x 19, 7.9 mm x 28 m (5/16" x 92')
Mounting bolts pattern : 114.3 x 171.4 mm (4.5" x 6.8") ; 165.1 x 171.4 mm (6.5" x 6.8")
Hoist weight (including rope) : 48.1 kg / 106 lb
Gross weight : 54.8 kg / 120.8 lb
Box dimension : 620 x 360 x 260 mm (24.4" x 14.2" x 10.2")

PERFORMANCE DATA :

Line Lift and Rope Capacity

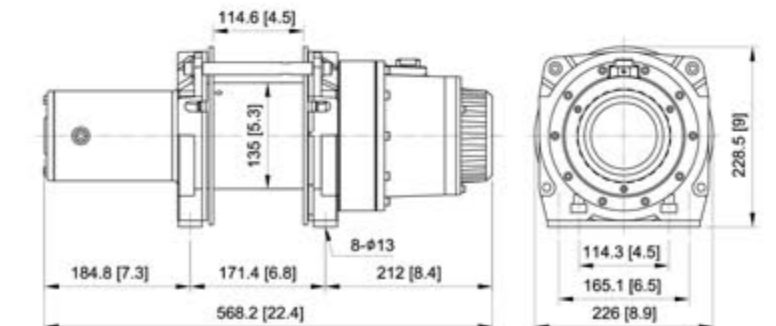
Layer of Wire Rope	Load by Layer, kg / lb	Line Speed mpm / fpm		Total Rope on the Drum, m / ft
		12V	24V	
1 st	1,270 / 2,800	4.0 / 13.1	4.4 / 14.4	6.3 / 20.7
2 nd	1,144 / 2,522	4.4 / 14.4	4.9 / 16.1	13.3 / 43.6
3 rd	1,040 / 2,292	4.8 / 15.7	5.4 / 17.7	21 / 68.6
4 th	954 / 2,103	5.3 / 17.4	5.8 / 19.0	28 / 92

Line Speed and Amp. Draw (1st layer of rope on the drum)

Line Lift kg / lb	Line Speed, mpm / fpm		Amp. Draw, A		Percentage Duty Cycle Min / 10 min
	12V	24V	12V	24V	
No Load	5.8 / 19	6.0 / 19.7	30	22	Cont.
227 / 500	5.5 / 18	5.7 / 18.7	45	30	7.0
454 / 1,000	5.1 / 16.7	5.5 / 18.0	70	45	4.5
680 / 1,500	4.6 / 15.1	5.3 / 17.4	95	60	3.0
907 / 2,000	4.3 / 14.1	4.6 / 15.1	135	80	2.5
1,270 / 2,800	4.0 / 13.1	4.4 / 14.4	160	100	2.0



DIMENSION mm/in :



2,200 - 1,200 LB Heavy Duty Hoist



GTD-2200
PN 752103 (12V) | **PN 752104** (24V)
PN 752003 (12V) w/o controls and rope assembly
PN 752004 (24V) w/o controls and rope assembly

GTD-1200
PN 751321 (12V) | **PN 751375** (24V)
PN 751220 (12V) w/o controls and rope assembly
PN 751265 (24V) w/o controls and rope assembly

SPECIFICATIONS :

Rated line lift : 998 kg (2,200 lb) ;
 907 kg (2,000 lb) ANSI B30.5 rating
Motor : 2,830 w / 3.8 hp 12V permanent magnet
 1,940 w / 2.6 hp 24V permanent magnet
Gear train & ratio : 3-stage planetary 211:1
Brake (outside the drum) :
 Mechanical cone brake and permanent motor dynamic brakes together
Winch construction : Aluminum die cast housings and steel drum
Drum size : 108 x 105 mm (4.3" x 4.1")
Control : Remote control with 5 m (17') lead
Rope : Galvanized aircraft A7 x 19, 6.4 mm x 30 m (1/4" x 100')
Mounting bolts pattern : 114.3 x 152 mm (4.5" x 6") ; 165.1 x 152 mm (6.5" x 6")
Hoist weight (including rope) : 33.9 kg / 74.7 lb
Gross weight : 39.5 kg / 87.1 lb
Box dimension : 518 x 341 x 240 mm (20.4" x 13.4" x 9.4")

SPECIFICATIONS :

Rated line lift : 544 kg (1,200 lb)
Motor : 900 w / 1.2 hp 12/24V permanent magnet
Gear train & ratio : 3-stage planetary 216:1
Brake (outside the drum) :
 Mechanical cone brake and permanent motor dynamic brakes together
Winch construction : Aluminum die cast housing with cast iron drum
Drum size : 89 x 73 mm (3.5" x 2.9")
Control : Remote control with 5 m (17') lead
Rope : Galvanized aircraft A7 x 19, 4.8 mm x 18.3 m (3/16" x 60')
Mounting bolts pattern : 114 x 101.6 mm (4.5" x 4")
Hoist weight (including rope) : 15.3 kg / 33.7 lb
Gross weight : 20.2 kg / 44.5 lb
Box dimension : 504 x 214 x 363 mm (19.8" x 8.4" x 14.3")

PERFORMANCE DATA :

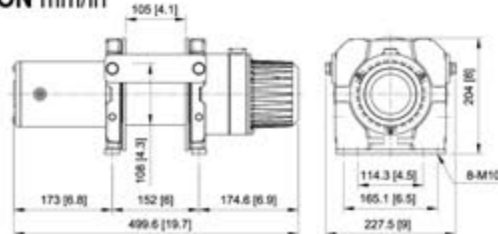
Line Lift and Rope Capacity

Layer of Wire Rope	Load by Layer, kg / lb	Line Speed, mpm / fpm		Total Rope on the Drum, m / ft
		12V	24V	
1 st	998 / 2,200	4.2 / 13.8	5.0 / 16.4	5.6 / 18.4
2 nd	898 / 1,980	4.6 / 15.1	5.5 / 18.0	11.8 / 38.7
3 rd	816 / 1,799	5.1 / 16.7	6.1 / 20.0	18.7 / 61.4
4 th	747 / 1,647	5.6 / 18.4	6.6 / 21.6	26.2 / 86
5 th	689 / 1,519	6.0 / 19.7	7.2 / 23.6	30 / 100

Line Speed and Amp. Draw (1st layer of rope on the drum)

Line Lift kg / lb	Line Speed, mpm / fpm		Amp. Draw, A		Percentage Duty Cycle Min / 10 min
	12V	24V	12V	24V	
No Load	5.3 / 17.4	5.8 / 19.0	25	18	Cont.
181 / 400	5.2 / 17.1	5.7 / 18.7	50	25	8.0
362 / 800	5.1 / 16.7	5.6 / 18.4	75	35	6.0
544 / 1,200	4.8 / 15.7	5.5 / 18	95	55	4.0
771 / 1,700	4.6 / 15.1	5.3 / 17.4	115	70	3.0
998 / 2,200	4.2 / 13.8	5.0 / 16.4	135	90	2.0

DIMENSION mm/in



PERFORMANCE DATA :

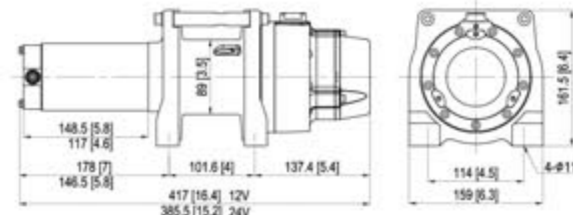
Line Lift and Rope Capacity

Layer of Wire Rope	Load by Layer, kg / lb	Line Speed, mpm / fpm		Total Rope on the Drum, m / ft
		12V	24V	
1 st	544 / 1,200	5.5 / 18	4.2 / 13.8	4.2 / 13.8
2 nd	494 / 1,089	6.1 / 19.9	8.8 / 28.9	8.8 / 28.9
3 rd	452 / 996	6.6 / 21.7	13.8 / 45.3	13.8 / 45.3
4 th	416 / 917	7.2 / 23.6	18.3 / 60	18.3 / 60

Line Speed and Amp. Draw (1st layer of rope on the drum)

Line Lift kg / lb	Line Speed, mpm / fpm		Amp. Draw, A		Percentage Duty Cycle Min / 10 min
	12V	24V	12V	24V	
No Load	7.4 / 24.3	5.9 / 19.4	30	15	2.5
136 / 300	6.9 / 22.6	5.7 / 18.7	55	19	2.3
272 / 600	6.4 / 21.0	5.5 / 18.0	75	25	2.0
408 / 900	5.9 / 19.4	5.2 / 17.1	95	36	1.8
544 / 1,200	5.5 / 18.0	5.0 / 16.4	130	50	1.5

DIMENSION mm/in



800 - 650 LB Heavy Duty Hoist



GTD-800
PN 750925 (12V) | **PN 750955** (24V)
PN 750888 (12V) w/o controls and rope assembly
PN 750898 (24V) w/o controls and rope assembly

GTD-650
PN 750265 (12V) | **PN 750280** (24V)
PN 750160 (12V) w/o controls and rope assembly
PN 750188 (24V) w/o controls and rope assembly

SPECIFICATIONS :

Rated line lift : 362 kg (800 lb)
Motor : 800 w / 1.0 hp 12/24V permanent magnet
Gear train & ratio : 3-stage planetary 191:1
Brake : Mechanical spring applied and permanent motor dynamic brakes together
Winch construction : Aluminum die cast housings and drum
Drum size : 68 x 119 mm (2.7" x 4.7")
Control : Remote control with 5 m (17') lead
Rope : Galvanized aircraft A7 x 19, 4.0 mm x 18.3 m (5/32" x 60')
Mounting bolts pattern : 168 x 76 mm (6.6" x 3")
Hoist weight (including rope) : 8.3 kg / 18.3 lb
Gross weight : 12.2 kg / 26.9 lb
Box dimension : 430 x 170 x 300 mm (16.9" x 6.7" x 11.8")

SPECIFICATIONS :

Rated line lift : 295 kg (650 lb)
Motor : 800 w / 1.0 hp 12/24V permanent magnet
Gear train & ratio : 3-stage planetary 138.5:1
Brake : Mechanical spring applied and permanent motor dynamic brakes together
Winch construction : Aluminum die cast housings and drum
Drum size : 61.2 x 75 mm (2.4" x 3.0")
Control : Remote control with 5 m (17') lead
Rope : Galvanized aircraft A7 x 19, 3.6 mm x 18.3 m (9/64" x 60')
Mounting bolts pattern : 124 x 76 mm (4.9" x 3")
Hoist weight (including rope) : 7.7 kg / 17 lb
Gross weight : 11.6 kg / 25.6 lb
Box dimension : 390 x 170 x 300 mm (15.4" x 6.7" x 11.8")

PERFORMANCE DATA :

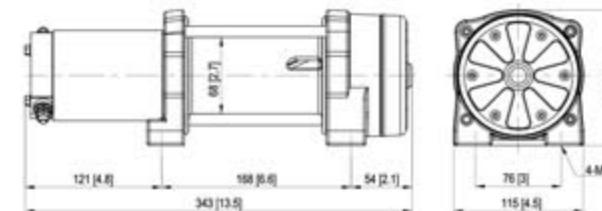
Line Lift and Rope Capacity

Layer of Wire Rope	Load by Layer, kg / lb	Line Speed, mpm / fpm		Total Rope on the Drum, m / ft
		12V	24V	
1 st	362 / 800	3.2 / 10.5	6.6 / 21.7	6.6 / 21.7
2 nd	327 / 721	3.6 / 11.8	14.0 / 45.9	14.0 / 45.9
3 rd	297 / 655	3.9 / 12.8	18.3 / 60	18.3 / 60

Line Speed and Amp. Draw (1st layer of rope on the drum)

Line Lift kg / lb	Line Speed, mpm / fpm		Amp. Draw, A		Percentage Duty Cycle Min / 10 min
	12V	24V	12V	24V	
No Load	3.6 / 11.8	4.2 / 13.8	20	15	3.0
181 / 400	3.4 / 11.2	4.1 / 13.5	40	25	2.0
362 / 800	3.2 / 10.5	4.0 / 13.1	55	35	1.5

DIMENSION mm/in :



PERFORMANCE DATA :

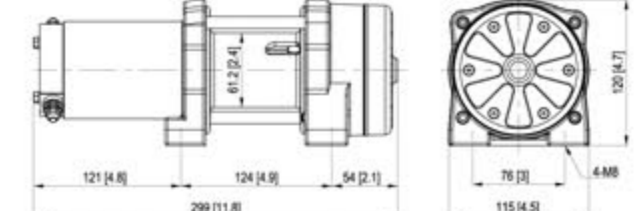
Line Lift and Rope Capacity

Layer of Wire Rope	Load by Layer, kg / lb	Line Speed, mpm / fpm		Total Rope on the Drum, m / ft
		12V	24V	
1 st	295 / 650	4.0 / 13.1	4.1 / 13.5	4.1 / 13.5
2 nd	266 / 586	4.5 / 14.8	8.7 / 28.5	8.7 / 28.5
3 rd	241 / 531	4.9 / 16	13.8 / 45.3	13.8 / 45.3
4 th	221 / 487	5.4 / 17.7	18.3 / 60	18.3 / 60

Line Speed and Amp. Draw (1st layer of rope on the drum)

Line Lift kg / lb	Line Speed, mpm / fpm		Amp. Draw, A		Percentage Duty Cycle Min / 10 min
	12V	24V	12V	24V	
No Load	4.3 / 14.1	5.0 / 16.4	25	15	3.0
147 / 320	4.2 / 13.8	4.8 / 15.7	45	22	2.0
295 / 650	4.0 / 13.1	4.6 / 15.1	55	30	1.5

DIMENSION mm/in :



Wireless Remote Control

2.4 GHz within 27 m (90'), complete set including wireless transmitter, wireless receiver, switch cord with plug, battery and handle strap
PN 880609 RF-24A w/3 ping plug for GTD-650/800/1200/2200/2800, Wolf 8.5/12.0
PN 881262 RF-24C w/6 pin plug for Rhino 8/12



Remote Control

PN 880025 for GTD-650/800/1200/2200/2800, Wolf 8.5/12.0
PN 880126 for Rhino 8/12 (comes with protective thermal sensor LED)

Sealed Contactor

PN 881355 (12V) / **PN 81356** (24V) 400 A, for Rhino 8/12, Wolf 8.5/12.0
PN 882083 (12V) / **PN 882084** (24V) 250A contactor w/lead for GTD-650/800/1200/2200/2800



Detachable Control Box

PN 881581 (12V) / **PN 881582** (24V) for Rhino 8, w/built-in over-load protector
PN 881645 (12V) / **PN 881646** (24V) for Rhino 12, w/built-in over-load protector
PN 882313 (12V) / **PN 882314** (24V) for GTD-650/800/1200
PN 882360 (12V) / **PN 882361** (24V) for GTD-2200/2800
PN 880340 (12V) / **PN 880341** (24V) for Wolf 8.5/12.0



Roller Fairlead

PN 880160 179 mm throat for HV-8 Std. drum, Bison 20/30 Std. drum
PN 880180 245 mm throat for HV-8 Long drum, HV-10/12/15
PN 883400 245 mm throat, stainless steel, for HV-8 Long drum, HV-10/12/15
PN 882481 179 mm throat for Rhino 8/12
PN 881479 149 mm throat for Yak 5/7 Std. drum
PN 881480 229 mm throat for Yak 5/7 Long drum
PN 882238 330 mm throat for Bison 20/30 Long drum
PN 882797 330 mm throat for Bison 50
PN 880023 210 mm throat for Wolf 8.5/12.0



Snatch Block

PN 881079 Max. load 10,000 kg / 22,000 lb for Yak 5/7, GTD-650/800/1200/2200/2800
PN 881082 Max. load 13,610 kg / 30,000 lb for HV-8/10/12, Rhino 8/12, Wolf 8.5/12.0



Wire Rope with Hook

PN 882323 3.6 mm x 18.3 m (9/64" x 60') for GTD-650
PN 882321 4.0 mm x 18.3 m (5/32" x 60') for GTD-800
PN 881245 4.8 mm x 18.3 m (3/16" x 60') for GTD-1200
PN 881149 6.4 mm x 30.5 m (1/4" x 100') for GTD-2200
PN 882404 7.9 mm x 28 m (5/16" x 92') for GTD-2800
PN 881239 8.0 mm x 45 m (5/16" x 150') for Wolf 8.5
PN 880106 9.5 mm x 30.5 m (3/8" x 100') for Wolf 12.0



Battery Isolation Switch **PN 881097**

2 Position Off-On 12V 500 Amp for Rhino 8/12, GTD-650/800/1200/2200/2800 Wolf 8.5/12.0



Cable Tensioner

PN 882796 for Bison 50
PN 881983 for Bison 20/30 Std. drum
PN 882195 for Bison 20/30 Long drum
PN 881238 for HV-8 Std. drum, Rhino 12
PN 880179 for HV-8 Long drum, HV-10/12/15
PN 881236 for Yak 5/7 Std. drum
PN 881237 for Yak 5/7 Long drum
PN 881667 for Rhino 8
PN 880358 for Wolf 8.5/12.0



Air Clutch

PN 880181 for HV-8/10
PN 882352 for HV-12/15



Extended Clutch Kit

PN 881314 for HV-8/10
PN 883386 for HV-12/15



Over Center Valve

PN 883314 70-210 bar setting for HV-8/10/12/15



Winch Accessory Kit

Heavy Duty Kit **PN 883438**

Designed for winch single line capacity to 6,803 kg / 15,000 lb Includes:

- 13,610 kg / 30,000 lb maximum capacity snatch block, **PN 881082**
- 100 mm x 2.4 m (4" x 8') tree trunk protector strap, **PN 881091**
- 75 mm x 9 m (3" x 30') recovery strap rated to 9,800 kg/21,600 lb, **PN 881090**
- Bow shackle, 33 mm (3/4") pin diameter, **PN 883440**
- 3 m of 8 mm (10' of 5/16") grade 70 choker chain with hooks, **PN 881096**
- Gloves, **PN 883437**
- Bag, **PN 883439**



Emergency Stop Switch, **PN 881668** 400A

Bison/HV/Yak

Series	Hydraulic Winch								
	Bison 50	Bison 30	Bison 20	HV-15	HV-12	HV-10	HV-8	Yak 7	
Model Number									
Gear train	Planetary gears							Worm gears	
Rated line pull	SAE J706 rating	22,680 kg / 50,000	13,600 kg / 30,000 lb	9,070 kg / 20,000 lb	6,800 kg / 15,000 lb	5,440 kg / 12,000 lb	4,535 kg / 10,000 lb	3,630 kg / 8,000 lb	3,175 kg / 7,000 lb
	EN 14492-1rating	-	-	9,070 kg	6,800 kg	5,100 kg	4,300 kg	3,560 kg	3,200 kg
Counterbalance or over-center valve	●	●	●	●	●	●	●	●	
Roller fairlead for	Std. drum	●	●	●	●	●	●	●	
	for Long drum	-	●	●	-	-	-	●	
Cable tensioner for	Std. drum	●	●	●	○	○	○	○	
	for Long drum	-	●	●	-	-	-	○	
Air clutch	built-in	built-in	built-in	○	○	○	○	-	
Snatch block	-	-	-	○	○	○	○	○	

Rhino/Wolf/GTD

Series	Electric recovery Winch				Heavy Duty Hoist				
	Rhino 12	Rhino 8	Wolf 12.0	Wolf 8.5	GTD-2800	GTD-2200	GTD-1200	GTD-800	GTD-650
Model Number									
Gear train	Planetary gears		Worm gears		Planetary gears				
Rated line pull or lift	5,440 kg / 12,000 lb	3,630 kg / 8,000 lb	5,443 kg / 12,000 lb	3,856 kg / 8,500 lb	1,270 kg / 2,800 lb	998 kg / 2,200 lb	544 kg / 1,200 lb	362 kg / 800 lb	295 kg / 650 lb
	Remote control	●	●	●	●	●	●	●	●
Control box	12V	●	●	●	●	●	●	●	●
	24V	●	●	●	●	●	●	●	●
Wire rope w/hook	○	○	●	●	●	●	●	●	●
Roller fairlead	●	●	●	●	-	-	-	-	-
Battery lead	●	●	●	●	●	●	●	●	●
Cable tensioner	○	○	●	●	-	-	-	-	-
Snatch block	○	○	○	○	○	○	○	○	○

● Means as a standard accessory / ○ Means as an option accessory

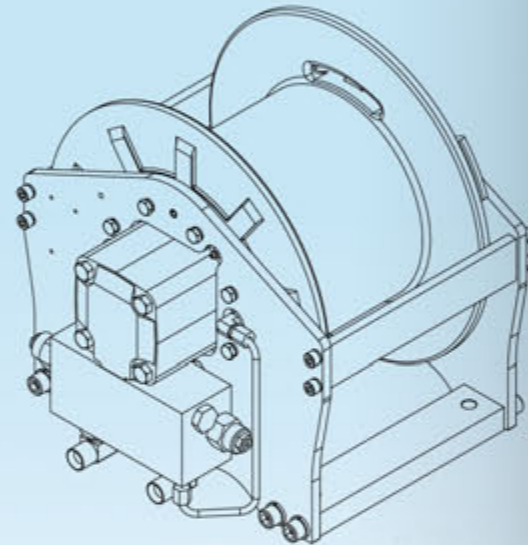
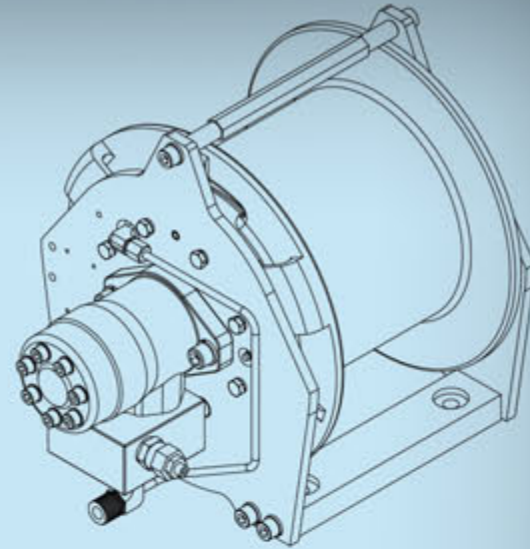


HYDRAULIC HOIST for Mobile Crane Vehicle

APE Series

900 – 1,200 – 1,600 – 1,900 kg lifting capacity

- Internally lubricated for reliable power and an exceptionally long service life.
- Compact, hardened and high efficiency gear trains reduce power loss and placed inside the drum.
- Multi-Disc Brake (MDB) patented and two ways counter-balance valve together for holding full load.
- The normal lifting capacity is rated at the top layer of wire rope. It always lifts its rated load no matter what layer of wire rope it is.
- The drum is dimensioned to obtain a minimum D/d ratio of 18:1 with a 5:1 minimum safety factor at the rated load.
- The hoist meets the requirement of FEM9.511 covering rating and classification and FEM 1001 standard for the calculation of lifting equipment.
- Compliance with international standards such as ASME B30.7 and, CE Machinery Directive 2006/42/EC



1,900 ~ 1,600 KG Hydraulic Hoist for Mobile Crane



APE 19 PN 681930 (Std. drum) / PN 681940 (Long drum)

APE 16 PN 681920

SPECIFICATIONS :

Rated line lift :

APE 19 : 1,900 kg (4,190 lb) single line at the top layer of rope
APE 16 : 1,600 kg (3,527 lb) single line at the top layer of rope

Motor :

APE 19 : 200 cm³/rev (12.2 in³/rev)
APE 16 : 159.7 cm³/rev (9.7 in³/rev)

Operation pressure : 205 bar (2,973 psi) with maximum back pressure on return line of 5 bar

Max-Min pump flow :

APE 19 : 60 / 20 l/min (15.9 / 5.3 g/min)
APE 16 : 45 / 15 l/min (11.9 / 4.0 g/min)

Gear train & ratio : 1-stage planetary, 5.8:1

Brake : Multi-Disc Brake (MDB) patented and counter-balance valve together

Hoist construction : Steel housings with steel drum

Hoist Rotation : Counter clockwise rotation of the drum

Drum size (dXDxL) :

APE 19 (Std. drum) /16 : 210 x 344 x 191 mm (8.3" x 13.5" x 7.5")
APE 19 (Long drum) : 210 x 344 x 320 mm (8.3" x 13.5" x 12.6")

Recommended wire rope :

APE 19 :
12 mm x 48 m for std. drum and 12 mm x 82 m for long drum with 1,960 N/mm² grade with minimum breaking strength of 100. kN for EN 14492-2 rating
1/2" x 157 ft for std. drum and 1/2" x 269 ft for long drum with EIPS grade with minimum breaking strength of 22,487 lbf for ASME 30.7 rating
APE 16 :
10 mm x 57 m with 2,160 N/mm² grade with minimum breaking strength of 78.2 kN for EN 14492-2 rating
3/8" x 187 ft with EIPS grade with minimum breaking strength of 17,593 lbf for ASME 30.7 rating

Mounting bolts pattern :

APE 19 (Std. drum) /16 : 290 x 196 mm (11.4" x 7.7")
APE 19 (Long drum) : 290 x 325 mm (11.4" x 12.8")

Hoist weight : APE 19 (Std. drum) : 88 kg / 194 lb
APE 19 (Long drum) : 101 kg / 223 lb
APE 16 : 87 kg / 192 lb

Gross weight : APE 19 (Std. drum) : 106 kg / 234 lb
APE 19 (Long drum) : 123 kg / 271 lb
APE 16 : 105 kg / 232 lb

Box dimension : APE 19 (Std. drum) / 16 : 490x490x600mm (19.3"x19.3"x23.6")
APE 19 (Long drum) : 620x510x600mm (24.4"x20.1"x23.6")

PERFORMANCE DATA :

Line Lift and Rope Capacity

APE 19

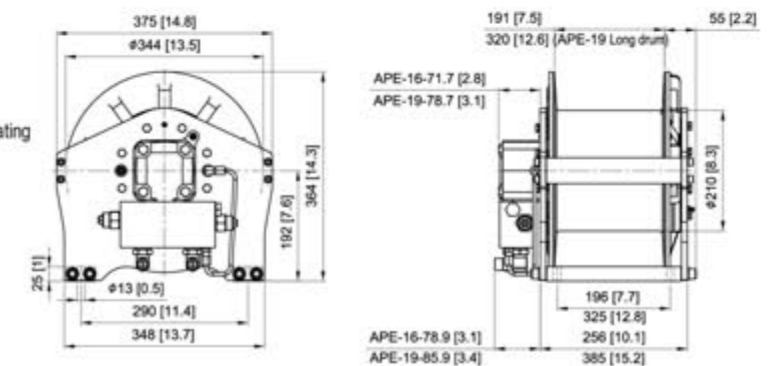
Layer of Rope	Lift by Layer, kg / lb	Line Speed, mpm / fpm	Total Rope on the Drum, m / ft	
			Std. drum	Long drum
1 st	2,515 / 5,545	35.0 / 115	10.4 / 34	18 / 59
2 nd	2,270 / 5,004	38.8 / 127	22 / 72	38 / 124
3 rd	2,068 / 4,559	42.6 / 140	35 / 114	60 / 195
4 th	1,900 / 4,190	46.4 / 153	48 / 157	82 / 269

APE 16

Layer of Rope	Lift by Layer, kg / lb	Line Speed, mpm / fpm	Total Rope on the Drum, m / ft	
			Std. drum	Long drum
1 st	2,036 / 4,489	33.8 / 111	12.5 / 41	
2 nd	1,866 / 4,114	36.8 / 121	26.2 / 86	
3 rd	1,723 / 3,796	40 / 131	41 / 134	
4 th	1,600 / 3,527	43 / 141	57 / 187	

The total rope on the drum may vary from figures stated elsewhere

DIMENSION mm/in



- Option Accessories
 - Cable tensioner
 - Wire rope with hook
 - Up and Down limit protection device

1,200 ~ 900 KG Hydraulic Hoist for Mobile Crane



APE 12 PN 681910
APE 9 PN 681900

SPECIFICATIONS :

- Rated line lift :**
 APE 12 : 1,200 kg (2,640 lb) single line at the top layer of rope
 APE 9 : 900 kg (1,984 lb) single line at the top layer of rope
- Motor :**
 APE 12 : 194.6 cm³/rev (11.9 in³/rev)
 APE 9 : 155.7 cm³/rev (9.5 in³/rev)
- Operation pressure :**
 APE 12 : 150 bar (2,176 psi)with maximum back pressure on return line of 5 bar
 APE 9 : 140 bar (2,031 psi) with maximum back pressure on return line of 5 bar
- Max-Min pump flow :**
 APE 12 : 40 / 20 l/min (10.6 / 5.3 g/min)
 APE 9 : 35 / 15 l/min (9.2 / 4.0 g/min)
- Gear train & ratio :** 1-stage planetary, 5:1
- Brake :** Multi-Disc Brake (MDB) patented and counter-balance valve together
- Hoist construction :** Steel housings with steel drum
- Hoist Rotation :** Counter clockwise rotation of the drum
- Drum size (dXDxL) :** 205 x 305 x 191 mm (8.1" x 12.0" x 7.5")
- Recommended wire rope :**
 APE 12 :
 10 mm x 55 m with 1,960 N/mm² grade with minimum breaking strength of 69.8 kN for EN 14492-2 rating
 3/8" x 180 ft with EIPS grade with minimum breaking strength of 15,663 lbf for ASME 30.7 rating
 APE 9 :
 8 mm x 68 m with 1,960 N/mm² grade with minimum breaking strength of 44.7 kN for EN 14492-2 rating
 5/16" x 223 ft with EIPS grade with minimum breaking strength of 10,003 lbf for ASME 30.7 rating
- Mounting bolts pattern :** 200 x 170 mm (7.9" x 6.7")
- Hoist weight :** APE 12 : 64 kg / 141 lb
 APE 9 : 63 kg / 140 lb
- Gross weight :** APE 12 : 81 kg / 179 lb
 APE 9 : 80 kg / 176 lb
- Box dimension :** APE 12 / 9 : 550x440x570mm (21.7"x17.3"x22.4")

PERFORMANCE DATA :
Line Lift and Rope Capacity

APE 12

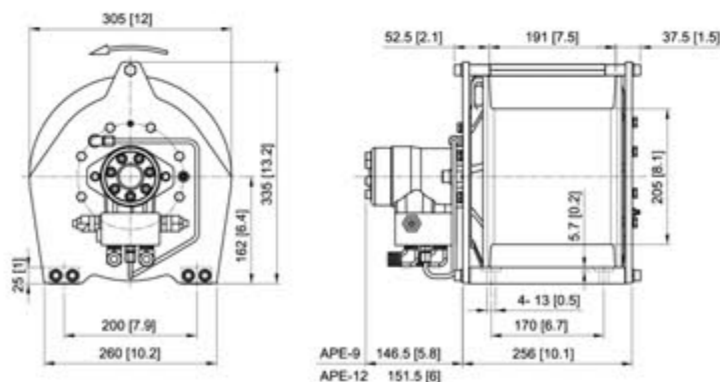
Layer of Rope	Lift by Layer, kg / lb	Line Speed, mpm / fpm	Total Rope on the Drum, m / ft
1 st	1,535 / 3,384	27.8 / 91	12.2 / 40
2 nd	1,404 / 3,094	30.4 / 100	25.6 / 84
3 rd	1,294 / 2,853	33 / 108	40 / 131
4 th	1,200 / 2,645	35.5 / 116	55 / 180

APE 9

Layer of Rope	Lift by Layer, kg / lb	Line Speed, mpm / fpm	Total Rope on the Drum, m / ft
1 st	1,100 / 2,425	30.1 / 99	15 / 50
2 nd	1,023 / 2,255	32.3 / 106	31.8 / 104
3 rd	956 / 2,108	34.6 / 114	49.4 / 162
4 th	900 / 1,984	37 / 121	68 / 223

The total rope on the drum may vary from figures stated elsewhere

DIMENSION mm/in



- Option Accessories
- Cable tensioner
 - Wire rope with hook
 - Up and Down limit protection device

ENGINEERING DATA

Maximum Line Pull

This is the maximum dead-weight the winch could lift off the ground with a single line on the first layer of wire rope on the drum. They are not suitable for vertical lifting.

Winching Principles

You need a winch to be powerful enough to pull your vehicle while overcome the added resistance caused by the obstacle, moving water, mud, snow, sand or on a steep hill. As a general guide you need a winch with a maximum line pull of at least 1.5 times greater than the gross vehicle weight. There are three factors have influenced with the line pull effect required to recover the vehicle. The values and calculations in this section are approximate and are for reference only.

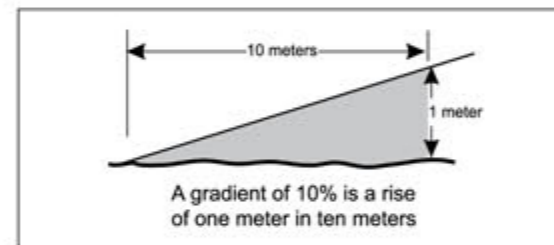
1. Gross Vehicle Weight (WT): Contains the vehicle weight and the weight of the supplies and equipments carried.

2. Surface Drag (S): The characteristics of the terrains or surface to be traversed

Surface Type	Metal	Sand	Gravel	Soft Sand	Mud	Marsh	Clay
Surface Drag (S)	0.15	0.18	0.20	0.22	0.32	0.52	0.52

3. Gradient Resistance: The incline of grade or slope on which the vehicle is being moved.

Gradient	5%	10%	20%	30%	50%	70%	100%
Angle (ref.)	3°	6°	11°	17°	26°	35°	45°
Gradient (G)	0.06	0.11	0.2	0.3	0.44	0.58	0.71



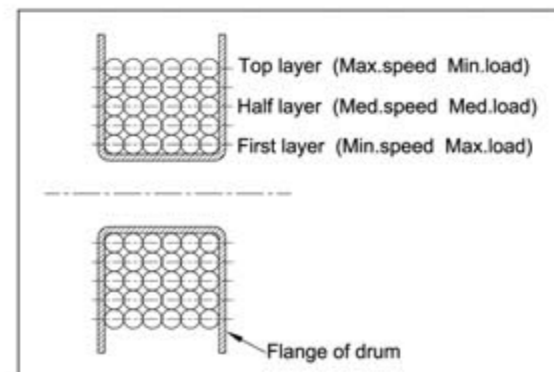
Rolling Pull Effect Required = (Wt x S) + (Wt x G)
 For example, if a vehicle weighing 3,000 kg is winched up an incline by 100% on the marsh road, the above formula would be used as follows:
 Where
 Wt : 3,000 kg (gross vehicle weight)
 S : 0.52 (co-efficient for marsh)
 G : 0.71 (gradient value of 100%)
 (Wt x S) + (Wt x G) = (3,000 kg x 0.52) + (3,000 kg x 0.71)
 = 1,560 kg + 2,130 kg = 3,690 kg of effect required to recover the vehicle

Load Rating

• Load and speed varies according to how much wire rope is on the drum. The first layer of rope on the drum delivers the slowest speed and the maximum load. The top layer of rope on the drum delivers the maximum speed and the minimum load. For this reason, all AUTOMOTIVE, POWERSPORTS and INDUSTRIAL winches are rated at their first layer capacities.

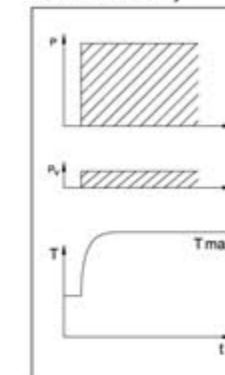
Hydraulic hoisting

- Load and speed varies according to how much wire rope is on the drum. The first layer of rope on the drum delivers the slowest speed and the maximum load. A full drum delivers the maximum speed and the minimum load. For this reason, all hydraulic hoisting winches are rated at their top layer of wire rope on the drum.
- Leave two free layers below the top of the drum flanges to meet European lifting rules
- Leave a minimum of 1/2 inch (13 mm) below the tope of the drum flange to meet ASME 30.7



DUTY CYCLE RATINGS

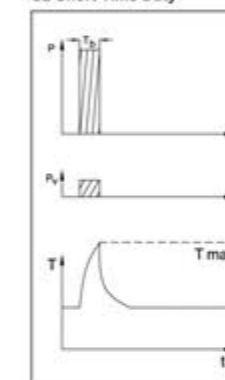
S1 Continuous Duty



The motor works at a constant load for enough time to reach temperature equilibrium

P load
Pv electrical losses
T temperature

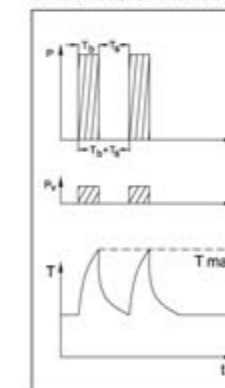
S2 Short Time Duty



The motor works at a constant load, but not long enough to reach temperature equilibrium, and the rest periods are long enough for the motor to reach ambient temperature
 Examples: S2 - 60 min (The time means 60 minutes rating)

Tmax maximum temperature
Tb time of operation

S3 Intermittent Periodic Duty



Sequential, identical run and rest cycles with constant load. Temperature equilibrium is never reached. Starting current has little effect on temperature rise.
 Example: S3 - 5% (The percent figure refers to the cyclic duration factor)

Tb time of operation
Ts time of rest

$$ED\% = \frac{T_b}{T_b + T_s} \times 100\%$$

Tb + Ts = approximately 1 to 10 minutes

For this reason, all Automotive, Industrial and Powersports winches are rated at S3 Intermittent periodic duty.

Warning

- Winches / Hoists are not to be used for the lifting or moving of persons.
- The rated line pull / lifting load shown is based on the first layer of rope on the drum.
- The rope winding on the drum shall remain 5 wraps of wire rope and 10 wraps of synthetic rope on the drum to support the rated load.

Warranty Statement

- Each new winch is guaranteed against defects in workmanship and material defects for a stipulated period from date of purchase.
- Automotive Winch : Limited lifetime warranty for mechanical components
 One (1) year warranty for electrical components
 Walrus & Seal Gen2 Series Winches a three (3) years warranty for electrical components
- Powersports Winch : Limited lifetime warranty for mechanical components
 One (1) year warranty for electrical components
- Industrial Winch : One (1) year warranty for any components
- Hydraulic hoist : One (1) year warranty for any components.

WIRE/SYNTHETIC ROPES ARE NOT INCLUDED UNDER WARRANTY.